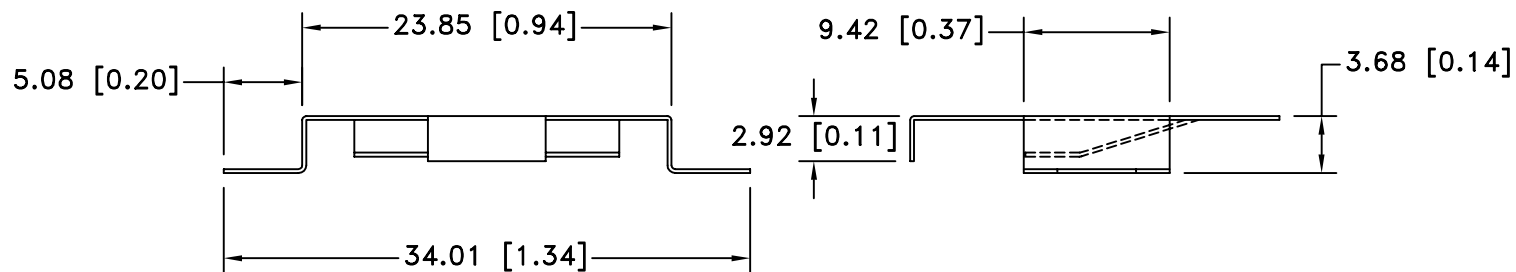
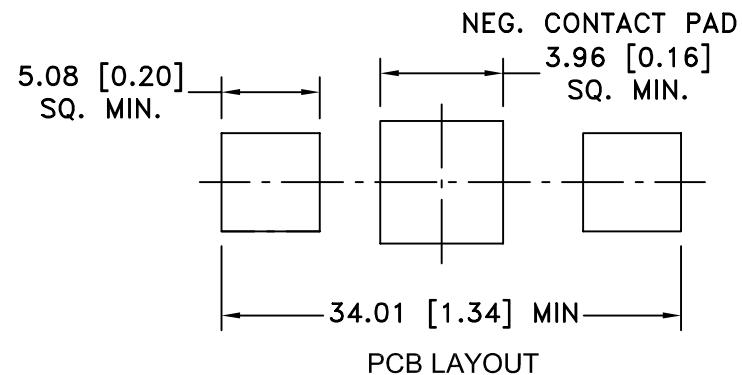
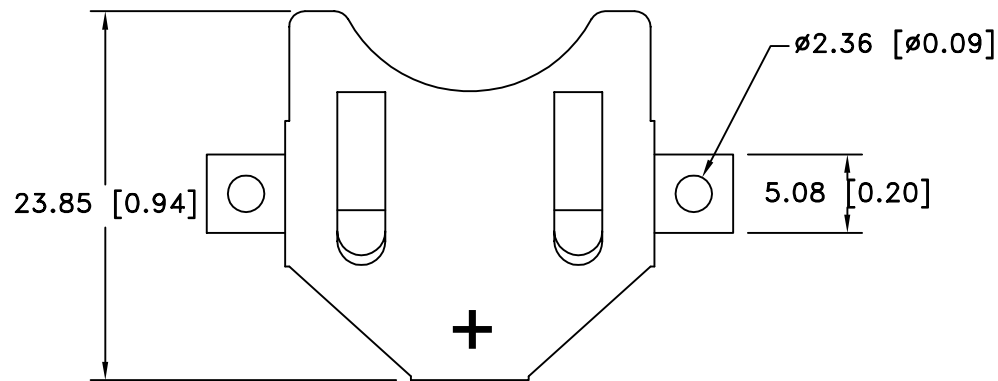



Date	SYM	REVISION RECORD	AUTH	DR.	CK.
1/07/06	A	ADDED "ROHS COMPLIANT"	T.B.	B.S.	
2/04/06	B	ADDED CHAMFERS	T.B.	B.S.	



NOTES:

- MATERIAL:
0.25mm PHOSPHOR BRONZE, NICKLE PLTD.
- ROHS COMPLIANT

Tolerance (Except as noted)	 Memory Protection Devices, Inc 200 Broad Hollow Road, Farmingdale, New York 11735		
decimal $\pm .5$ (.020)	Scale	Drawn By B.S.	
Fractional $\pm .8$ (.030)	Title	COIN CELL RETAINER FOR 23mm DIA. BATTERIES	
Angular $\pm 3^\circ$	Date	Drawing Number	
	2/04/06	BK-884	

CELL SIZE	RETAINS BATTERY NUMBERS
23mm	BR2320, CL2320, CR2320, BR2325, CR2325, DL2325, BR2330, CL2330