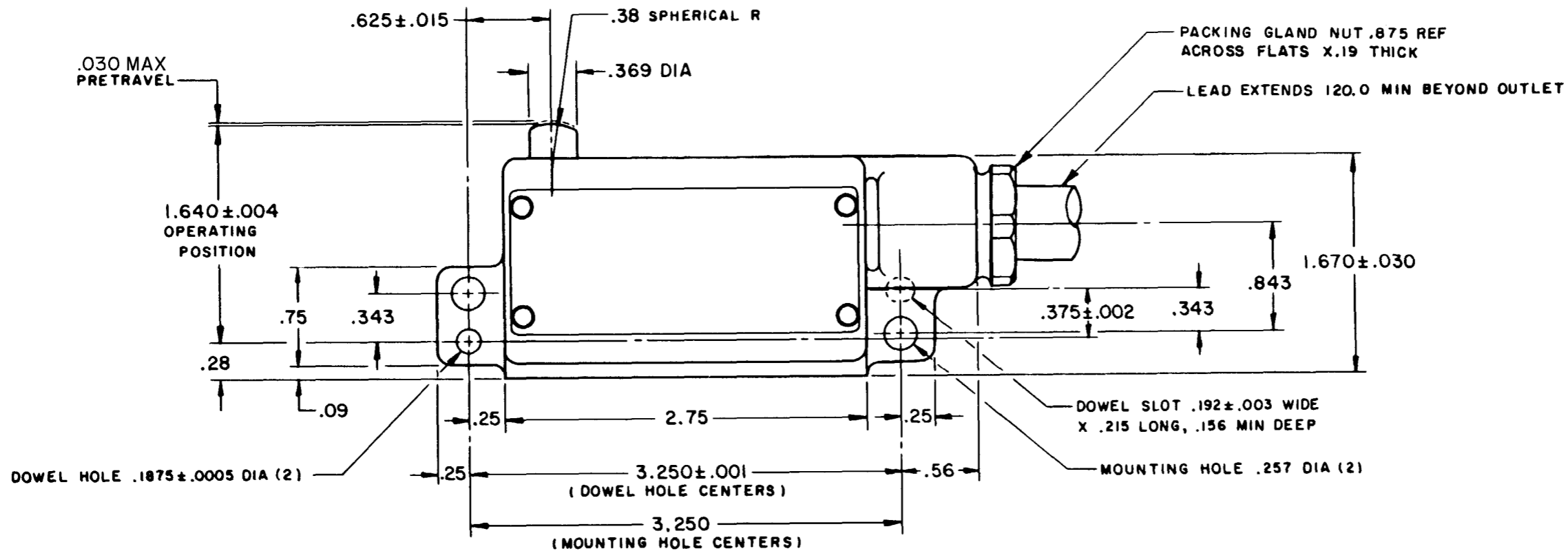
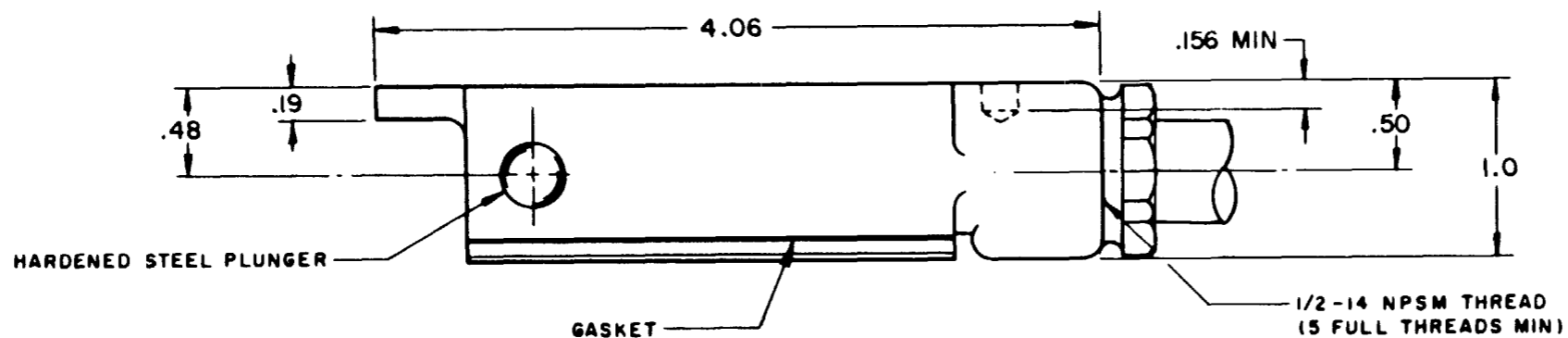


H MICRO SWITCH
 FREEPORT, ILLINOIS, U.S.A.
 A DIVISION OF HONEYWELL
 FED. MFG. CODE 91929

SWITCH - ENCLOSED

CATALOG LISTING
BZLN-10-LH



THIS DRAWING COVERS A PROPRIETARY ITEM AND IS THE PROPERTY OF MICRO SWITCH, A DIVISION OF MINNEAPOLIS-HONEYWELL REGULATOR CO. THIS DRAWING IS NOT TO BE COPIED OR USED WITHOUT THE APPROVAL OF MICRO SWITCH.

CHARACTERISTICS
OPERATING FORCE — — — — 5 LB MAX
RELEASE FORCE — — — — 1 LB MIN
DIFFERENTIAL TRAVEL — — .004 MAX
OVERTRAVEL — — — — .203 MIN

ELECTRICAL DATA
CONTACT ARRANGEMENT S P D T
L257
10A 125, 250 OR 480 VAC
1/8 HP 125 VAC, 1/4 HP 250 VAC
1/2A 125 VDC, 1/4A 250 VDC

SCALE FULL
DO NOT SCALE PRINT
UNLESS OTHERWISE NOTED DIMENSIONS ARE IN INCHES
TOLERANCES ARE:
ONE PLACE (.0) ± .030
TWO PLACE (.00) ± .018
THREE PLACE (.000) ± .008
ANGLES ±
WEIGHT

WIRING CONNECTIONS—
 COMMON — BLACK LEAD
 NORMALLY OPEN — RED LEAD
 NORMALLY CLOSED — WHITE LEAD
 DISCONNECTED — GREEN LEAD

BZLN-10-LH
M
 DRAWING NUMBER
 7
 ISSUE
 3
 REVISIONS
 A CO19597 M B F 9 NOV 64
 B CO50714 S J W 26 APR 82
 C CO55988 M A M 31 OCT 84
 D CO66766 M A M 5 APR 90
 E CO-81715 J A K 26 SEP 95
 CHECK DAW 13 NOV 84
 DRAWN M B F 9 NOV 64
 FORMTEK