

MICRO SWITCH
a Honeywell Division

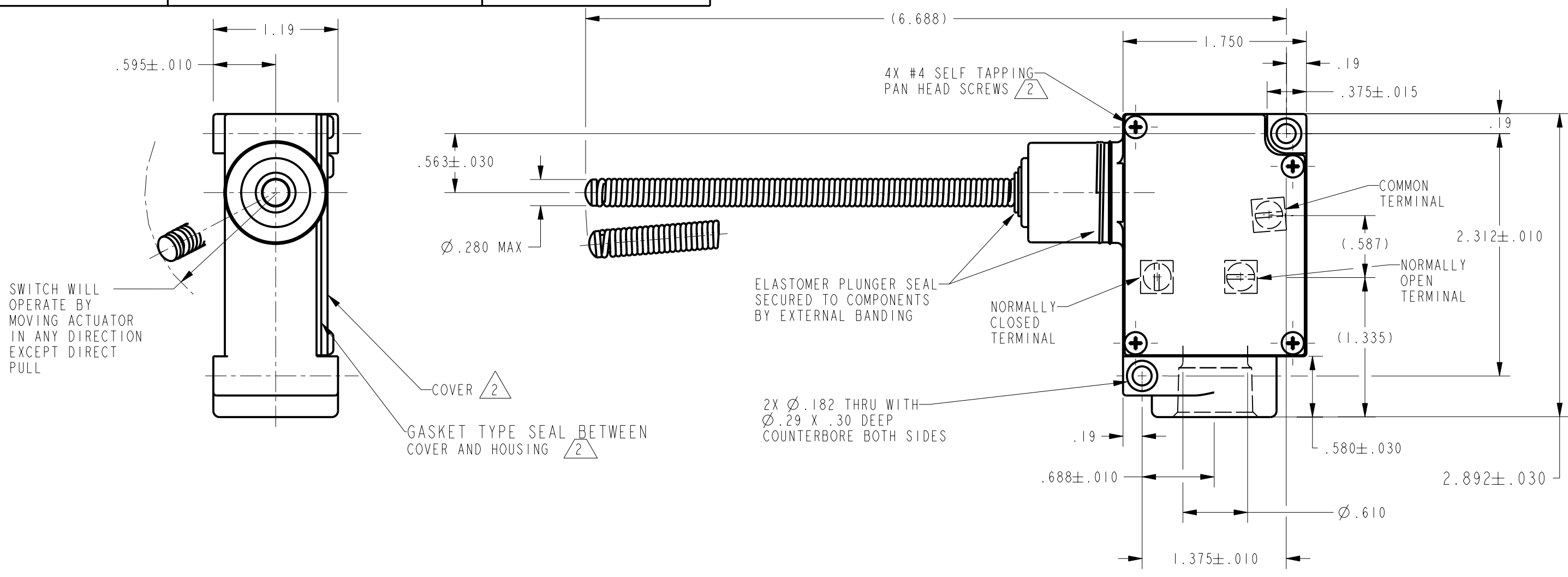
FED. MFG. CODE 91929

SWITCH-ENCLOSED

CATALOG LISTING

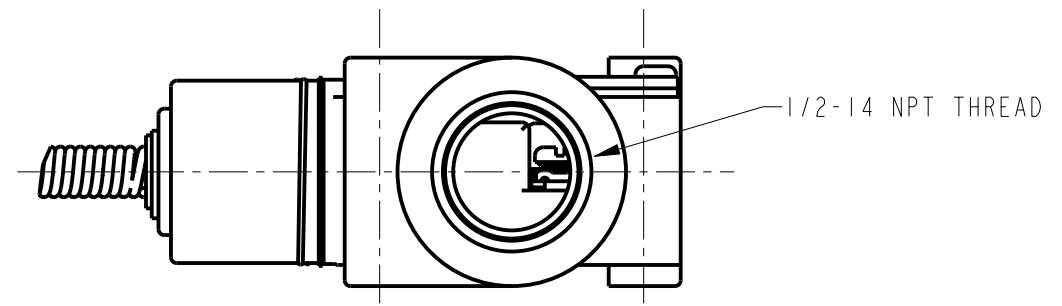
BFR1-BW1

PTC/CAD DRAWN KED 7SEP01
 CHECK SAV 7SEP01
 CHECK 7SEP01
 REVISIONS
 ISSUE 1
 M
 CATALOG LISTING
 BFR1-BW1
 PAGE 1 OF 1
 RELEASE NO. 203802
 REPLACES



SWITCH WILL OPERATE BY MOVING ACTUATOR IN ANY DIRECTION EXCEPT DIRECT PULL

NOTES
 1 - 3X 6-32 UNC PRESSURE PLATE TERMINAL SCREWS
 2 FURNISHED UNASSEMBLED



THIS DRAWING COVERS A PROPRIETARY ITEM AND IS THE PROPERTY OF MICRO SWITCH, A DIVISION OF HONEYWELL. THIS DRAWING IS NOT TO BE COPIED OR USED WITHOUT THE APPROVAL OF MICRO SWITCH

CHARACTERISTICS	ELECTRICAL DATA
OPERATING POSITION: 15° MAX OPERATING FORCE: 7 OZ MAX	CONTACT ARRANGEMENT S P D T
	L162 5A 125, <u>250</u> , 277 VAC 1/10 HP <u>250</u> VAC

THIRD ANGLE PROJECTION	
SCALE	FULL
DO NOT SCALE PRINT	
UNLESS OTHERWISE SPECIFIED TOLERANCES ARE	
ONE PLACE	(.0) ±.030
TWO PLACE	(.00) ±.015
THREE PLACE	(.000) ±.005
ANGLES	±
WEIGHT	

ANSI Y14.5M-1982 APPLIES