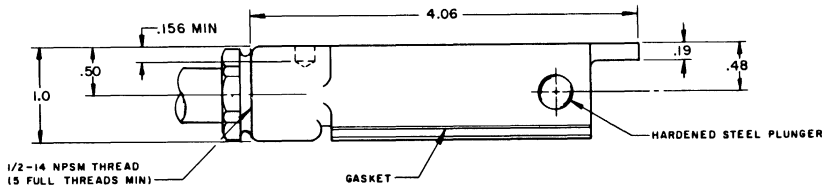


MICRO SWITCH
 FREEPORT, ILLINOIS, U.S.A.
 A DIVISION OF HONEYWELL
 FED. MFG. CODE 9199

SWITCH - ENCLOSED

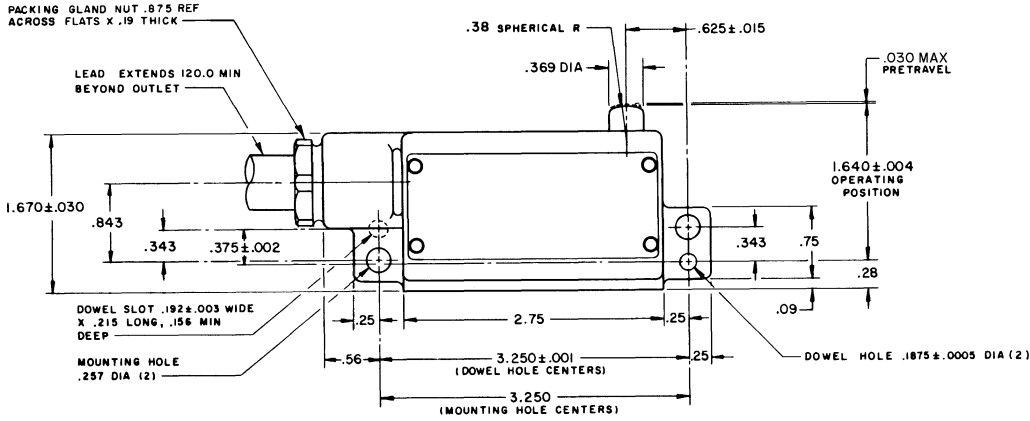
CATALOG LISTING
BZLN-10 - RH

BZLN-10-RH
 DRAWING NUMBER
 ISSUE 7
 RELEASE NO.



PACKING GLAND NUT .875 REF
 ACROSS FLATS X .19 THICK

LEAD EXTENDS 120.0 MIN
 BEYOND OUTLET



DOWEL SLOT .192 ± .003 WIDE
 X .215 LONG, .156 MIN
 DEEP

MOUNTING HOLE
 .257 DIA (2)

WIRING CONNECTIONS—
 COMMON — BLACK LEAD
 NORMALLY OPEN — RED LEAD
 NORMALLY CLOSED — WHITE LEAD
 DISCONNECTED — GREEN LEAD

THIS DRAWING COVERS A PROPRIETARY ITEM AND IS THE PROPERTY OF MICRO SWITCH, A DIVISION OF MINNEAPOLIS HONEYWELL REGULATOR CO. THIS DRAWING IS NOT TO BE COPIED OR USED WITHOUT THE APPROVAL OF MICRO SWITCH.

CHARACTERISTICS	ELECTRICAL DATA	SCALE FULL
OPERATING FORCE — — — 5 LB MAX	CONTACT ARRANGEMENT S P D T	DO NOT SCALE PRINT
RELEASE FORCE — — — 1 LB MIN	L257	UNLESS OTHERWISE NOTED
DIFFERENTIAL TRAVEL — — .004 MAX	10A 125, 250 OR 480 VAC	DIMENSIONS ARE IN INCHES
OVERTRAVEL — — — .203 MIN	1/8 HP 125 VAC, 1/4 HP 250 VAC	TOLERANCES ARE:
	1/2A 125 VDC, 1/4A 250 VDC	ONE PLACE (.01) 2.030
		TWO PLACE (.005) 2.015
		THREE PLACE (.0005) 2.000
		ANGLES 2
		WEIGHT

FORMTEK
 DRAWN
 M B F 9 NOV 64
 CHECK
 P 4 V V
 13 NOV 64
 CHECK