

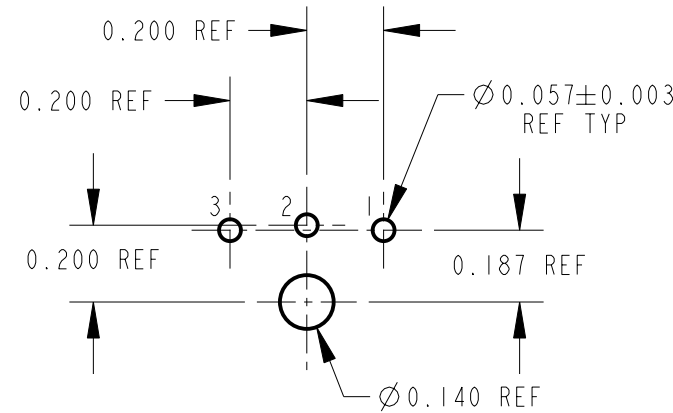
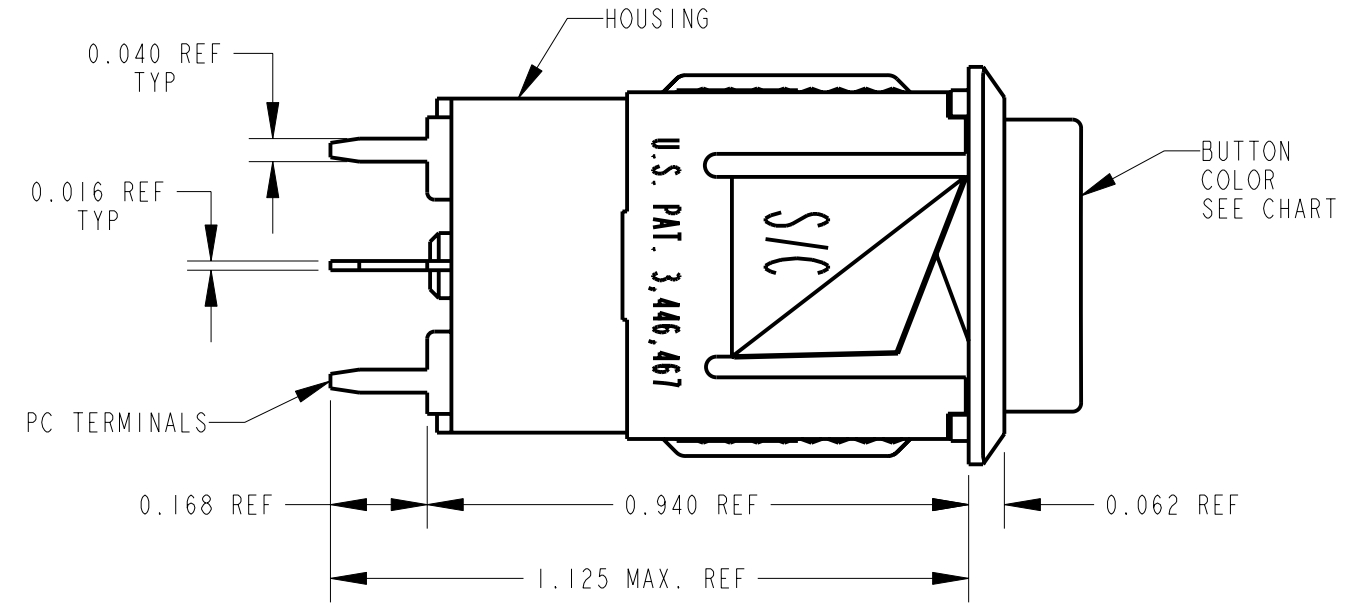
NOTES:

- CONTACT ARRANGEMENT TERMINALS 1,2,3.
- CONTACT RATING 0.25 AMP, 30 WATTS MAX., AC, NON-INDUCTIVE LOAD.
- DIELECTRIC STRENGTH - 500 VOLTS, RMS. MIN.
- SWITCH MOUNTS IN PANELS 0.047 TO 0.281 THICK.
- SWITCH MOUNTS ON 0.687 CENTERS IN EITHER OF TWO DIRECTIONS.

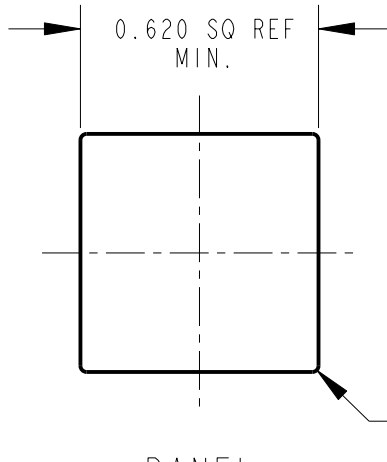
PART NUMBER	PART REV.	BUTTON COLOR
BXR023PC	A	BLACK
BXR053PC	A	WHITE

MATERIALS:

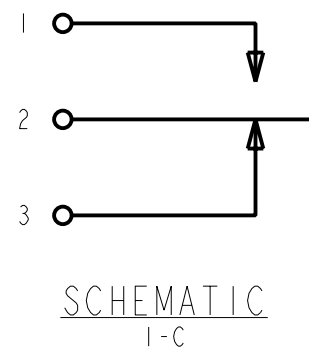
- HOUSING: MOLDED PLASTIC, CHARCOAL GRAY
- BUTTON: MOLDED PLASTIC, COLOR (SEE CHART)
- MOUNTING CLIP: COPPER ALLOY
- CONTACT SPRINGS: INTEGRAL, COPPER ALLOY, SILVER PLATED
- TERMINALS: COPPER ALLOY, SILVER PLATED
- ACTUATOR: MOLDED PLASTIC, BEIGE
- SPRING: MUSIC WIRE, TINNED
- RETAINER PLATE: PAPER EPOXY LAMINATE



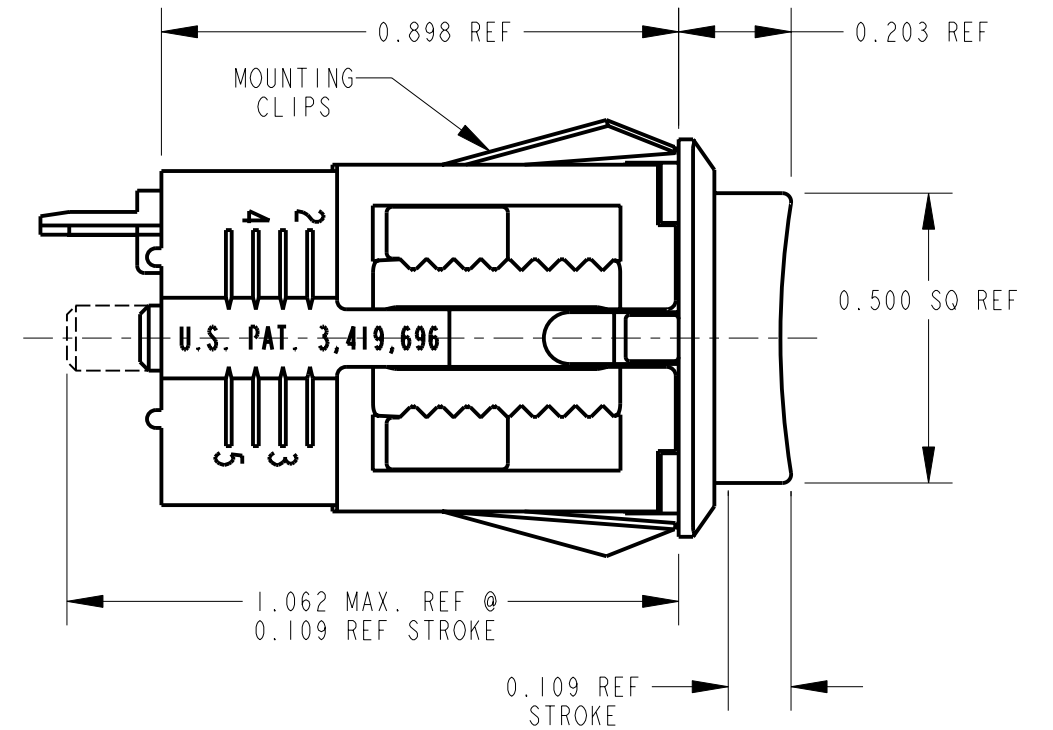
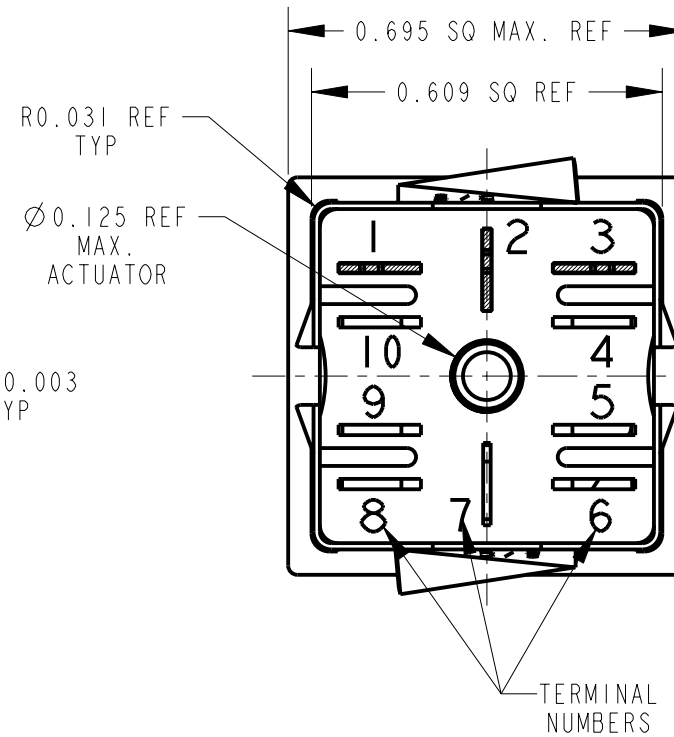
PC BOARD LAYOUT
COMPONENT SIDE
SCALE: 2=1



PANEL CUTOUT
SCALE: 2=1



SCHEMATIC
1-C



CUSTOMER DRAWING

REV	ECO NUMBER	DATE	BY	APVD
A	22495 & 22513	3-29-01	DA	RB
REVISIONS				

★ STAR SYMBOL DENOTES CRITICAL DIMENSION

UNLESS OTHERWISE SPECIFIED

- ALL DIMENSIONS IN INCHES
- TWO PLACE DECIMALS ±0.01
- THREE PLACE DECIMALS ±0.005
- ANGLES ±1°
- ALL DIA. CONCENTRIC WITHIN 0.005 T.I.R.
- FEATURES ON THE SAME CENTERLINE MUST BE ALIGNED WITHIN ±0.002
- REMOVE ALL BURRS

DO NOT SCALE DRAWING

THIS DRAWING DESCRIBES A DESIGN CONSIDERED PROPRIETARY IN NATURE, DEVELOPED AND MANUFACTURED BY SWITCHCRAFT INC. AND IS RELEASED ON A CONFIDENTIAL BASIS FOR IDENTIFICATION PURPOSES ONLY.				
SIZE	WIDTH	MULT	LBS/M	TEMPER
FINISH SPEC No.		MATERIAL SPEC No.		
FIRST USED ON		SCALE 3:1		
DATE DRAWN	BY	CHKD	APVD	
3-29-01	DA	RB 4-6-01	RB 4-6-01	
NAME BOX SWITCH, MOMENTARY PC TERMINALS			PART No.	REV
			BXR0_3PC_SERIES	A

Switchcraft