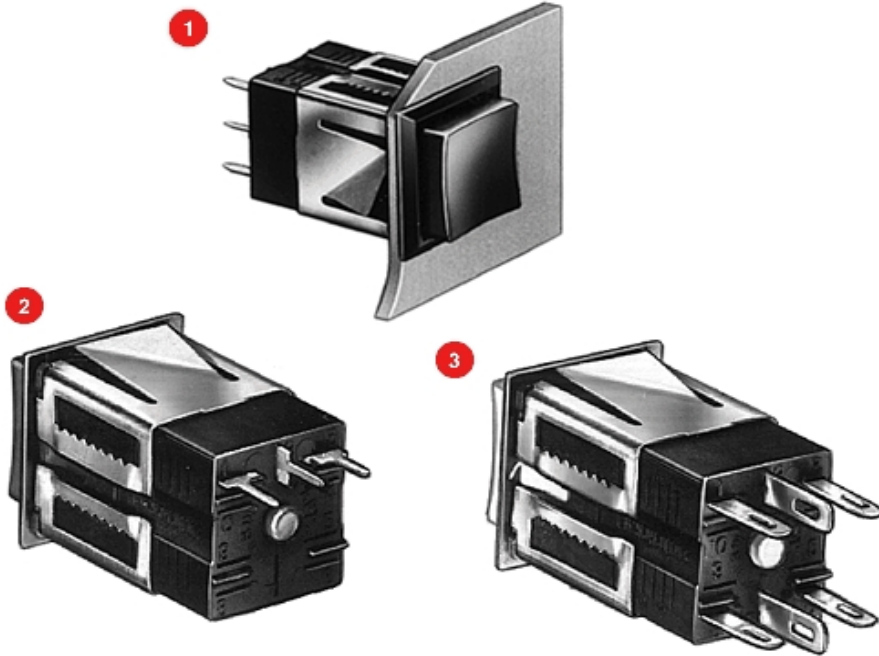


SQUARE PUSHBUTTON SWITCHES



BXR SERIES, FRONT MOUNT, .620 MOUNTING HOLE

- 1. BXR013PC
- 2. Rear view, BXR056 Solder Lug/Quick-Connect Terminals.
- 3. Rear view, BXR013PC PC Terminals.

Economical momentary, nonilluminated switches feature "AdjustoClip" snap-lock mounting and selection of switching. Bezel trims mounting and enclosed construction protects against dust, dirt, and physical damage. Color pushbuttons have concave face for positive "feel".

MOUNTING

Front mount in .620 inch (15.75 mm) minimum square hole. Solder lug/quickconnect terminals accept AMP FASTON® 110 terminals. "AdjustoClip" permits mounting in panels from .047 inch (1.19 mm) to .281 inch (7.14 mm) thick.

® FASTON is a registered trademark of AMP INC.

SPECIFICATIONS

Housing: Molded plastic, charcoal gray only.

Pushbutton: Molded plastic; red, black and white standard.

"Adjusto-Clip" Mounting Frame: Copper alloy, plated.

Contact Springs: Copper alloy, plated.

Contacts: Integral, copper alloy, plated. 4A, 1-C, 2-C

Switching: 250 mA, 30 W max., AC, noninductive load.

Terminals: Copper alloy, silverplated.

PART NUMBERS

Pushbutton Color/Part Number			
Red	Black	White	Circuits
Solder Lug/Quick-Connect Terminals			
BXR011	BXR021	BXR051	1-A
BXR013	BXR023	BXR053	1-C
BXR016	BXR026	BXR056	2-C

"ADJUSTO-CLIP" MOUNTING POSITIONS

Position Number	Panel Thickness Inch (mm)	
	Minimum	Maximum
1*	.047 (1.2)	.094 (2.4)
2	.094 (2.4)	.141 (3.6)
3	.141 (3.6)	.188 (4.8)
4	.188 (4.8)	.234 (6.0)
5	.234 (6.0)	.281 (7.1)

* "Adjusto-Clips" normally installed in this position unless otherwise specified.

[click here to download a schematic drawing](#)

(you will need to have Adobe Acrobat installed on your system to do this)



To search a category please click on the corresponding button:

| [Connectors](#) | [Jacks and Plugs](#) |
| [Patch Panels, Patch Kits & Jackfields](#) | [Cable Assemblies and Patch Cords](#) | [Switches](#) |

All products shown are covered by Switchcraft's limited lifetime warranty.