

MICRO SWITCH

A DIVISION OF MINNEAPOLIS-HONEYWELL REGULATOR COMPANY
FREDPORT, ILLINOIS

FED. MFR. CODE 91929

SWITCH-ENCLOSED

CATALOG LISTING

BZLN-2-LH3

5

BZLN-2-LH3

M

DRAWING NUMBER

8

ISSUE

REVISIONS

A	CO 18546	M B F	14 NOV 63
B	CO 17653	J A N	31 AUG 64
C	CO 11950	D A W	27 OCT 64
D	CO 21551	W E G	9 JUNE 66
E	CO 50714	G J W	28 APR 82
F	CO 55988	M A M	31 OCT 84
G	CO 81513B	J A K	12 MAR 97

REPLACES

RELEASE NO. S.R. 5741

CHECK M J L 4 OCT 56

CHECK

4 Oct 56

ACG

CHECK

8 Oct 56

LAD

CHECK

56

OCT. 56

3

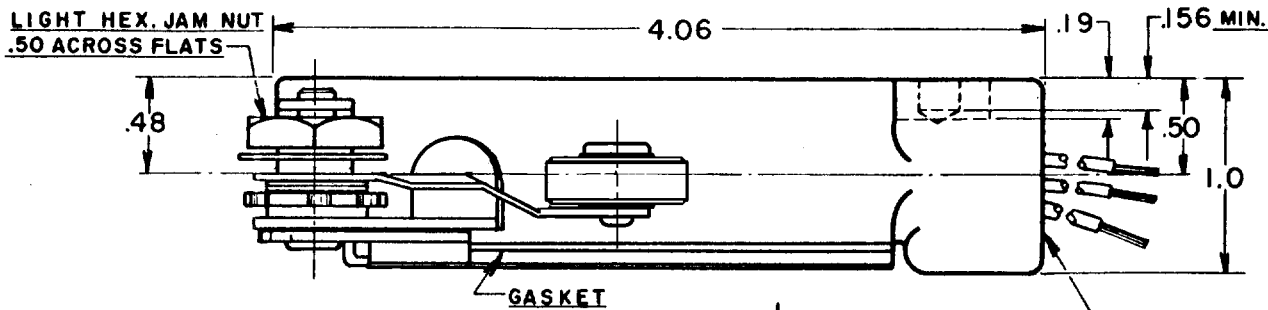
OCT. 56

K. A. F.

3

FORMTEK

DRAWN

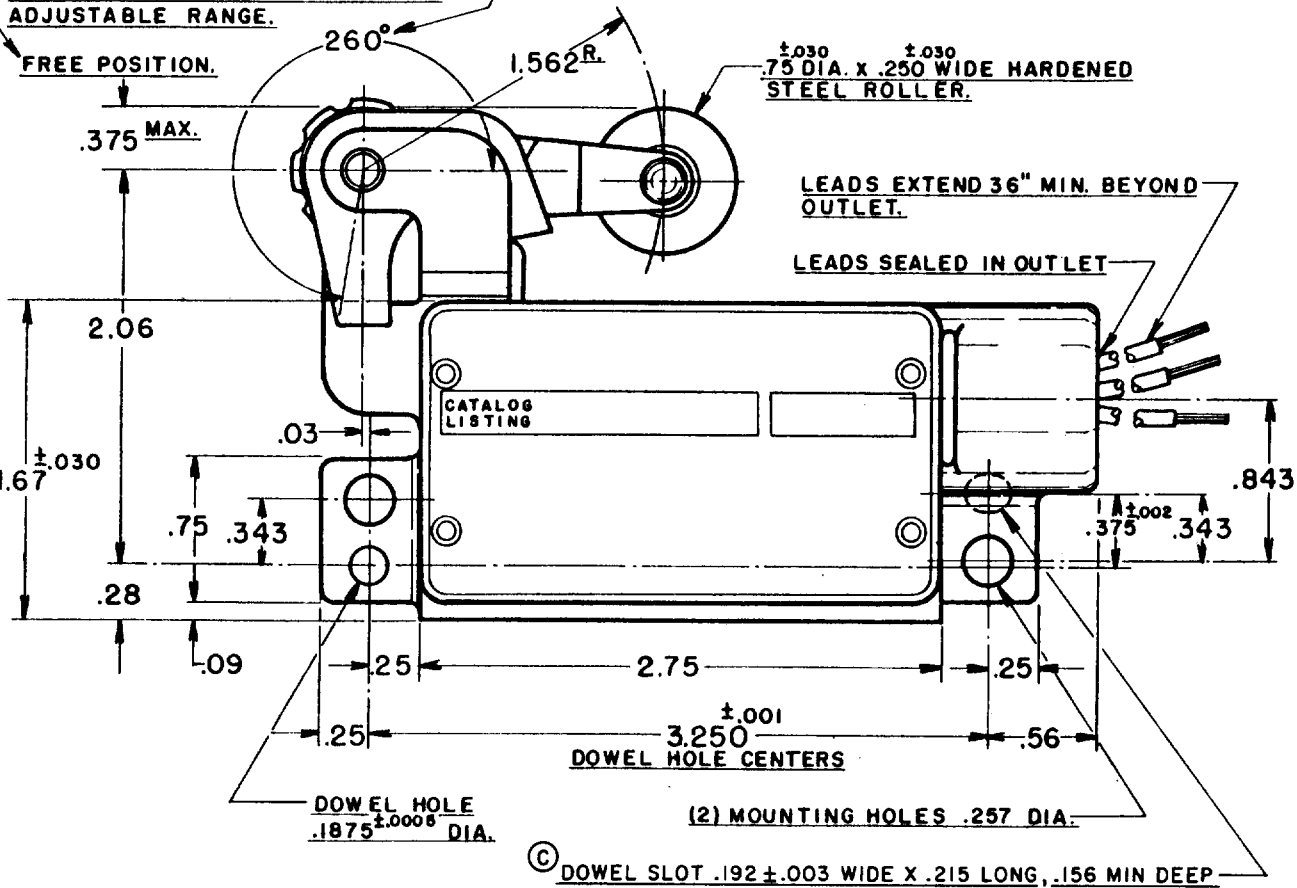


ROLLER LEVER MAY BE POSITIVELY LOCKED AT INTERVALS OF APPROX. 0.2° WITHIN A RANGE OF 260° (1430 POSITIONS)

1/2 -14 N.P.S.M. THREAD (5 FULL THREADS MIN.)

ROLLER LEVER IS SHOWN IN ITS FREE POSITION AT ONE EXTREME OF ITS ADJUSTABLE RANGE.

FREE POSITION.



WIRING CONNECTIONS
COMMON - BLACK LEAD
NORMALLY CLOSED - RED LEAD
NORMALLY OPEN - BLUE LEAD

THIS DRAWING COVERS A PROPRIETARY ITEM AND IS THE PROPERTY OF MICRO SWITCH, A DIVISION OF HONEYWELL. THIS DRAWING IS NOT TO BE COPIED OR USED WITHOUT THE APPROVAL OF MICRO SWITCH.

CHARACTERISTICS

OPERATING FORCE - - - - 3 LBS. MAX.
RELEASE FORCE - - - - 1/4 LB. MIN.
PRETRAVEL - - - - (3°)-.078 MAX.
DIFFERENTIAL TRAVEL - (1/2°)-.014 MAX.
OVERTRAVEL - - - - (17°)-.469 MIN.

ELECTRICAL DATA

CONTACT ARRANGEMENT
S.P.D.T.
-L96- 15 A-125, 250, OR 480 VAC
1/2 A-125 VDC; 1/4 A-250 VDC
1/8 HP-125 VAC, 1/4 HP-250 VAC

SCALE - FULL

DO NOT SCALE PRINT

UNLESS OTHERWISE SPECIFIED
DIMENSIONS ARE IN INCHES

TOLERANCES ARE:
ONE PLACE (.0) ±.030
TWO PLACE (.00) ±.015
THREE PLACE (.000) ±.005
ANGLES ±

WEIGHT .850 LB.
PLUS LEADS