

# MICRO SWITCH

A DIVISION OF MINNEAPOLIS-HONEYWELL REGULATOR COMPANY  
FREEPORT, ILLINOIS

FED. MFR. CODE 91929

## SWITCH - ENCLOSED

CATALOG LISTING  
**BZLN-2-LH5**

S

BZLN-2-LH5

M

DRAWING NUMBER

29

X

X

ISSUE

REPLACES

RELEASE NO. SR 5743

36

8

1

8

1

8

1

8

1

8

1

8

1

8

1

8

1

8

1

8

1

8

1

8

1

8

1

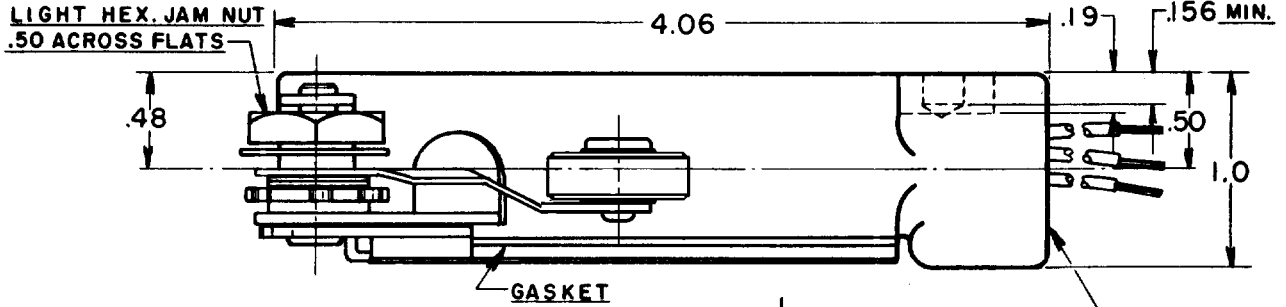
8

1

8

1

8

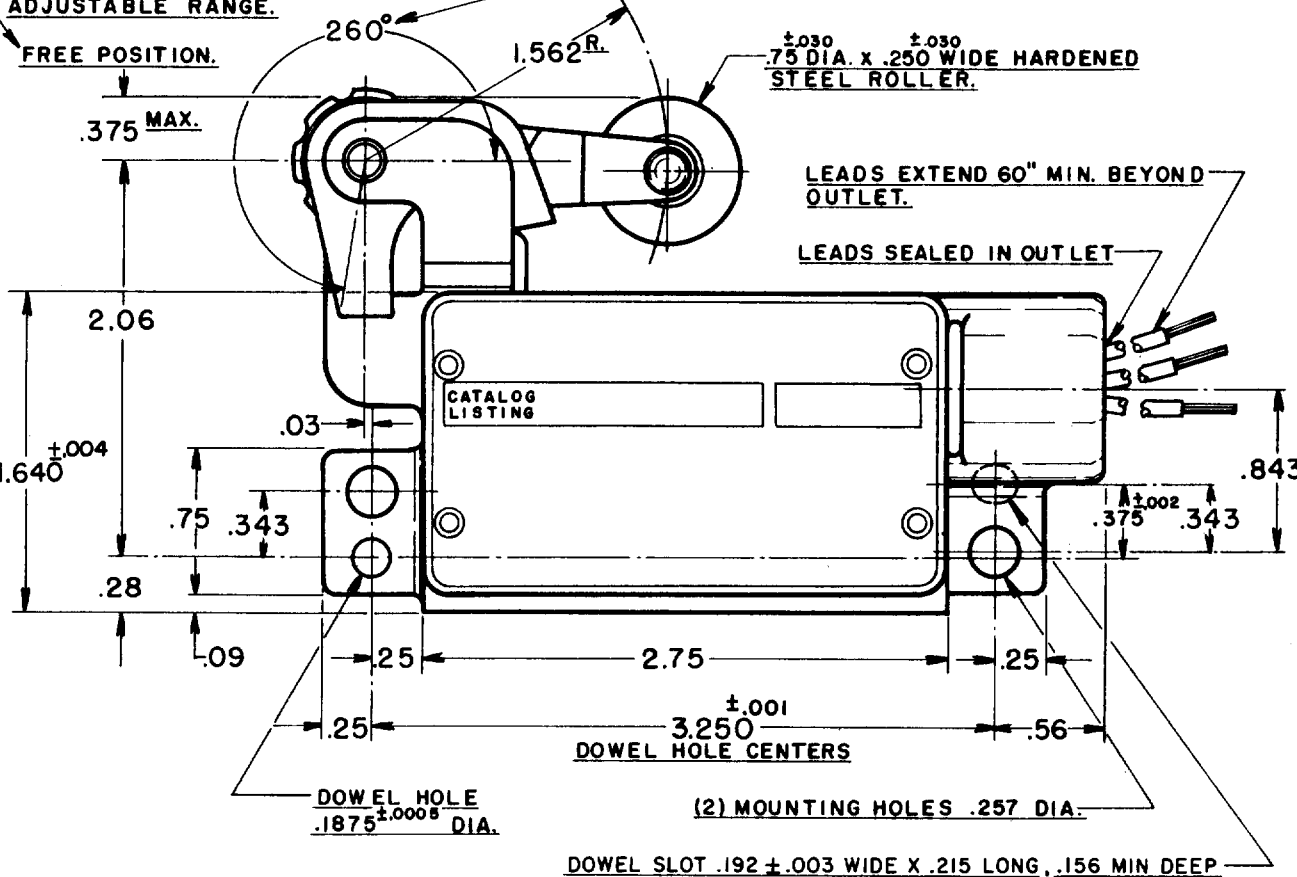


ROLLER LEVER MAY BE POSITIVELY LOCKED AT INTERVALS OF APPROX. 0.2° WITHIN A RANGE OF 260° (1430 POSITIONS)

1/2 - 14 N.P.S.M. THREAD  
(5 FULL THREADS MIN.)

ROLLER LEVER IS SHOWN IN ITS FREE POSITION AT ONE EXTREME OF ITS ADJUSTABLE RANGE.

FREE POSITION.



WIRING CONNECTIONS  
COMMON - BLACK LEAD  
NORMALLY OPEN - BLUE LEAD  
NORMALLY CLOSED - RED LEAD

THIS DRAWING COVERS A PROPRIETARY ITEM AND IS THE PROPERTY OF MICRO SWITCH, A DIVISION OF HONEYWELL. THIS DRAWING IS NOT TO BE COPIED OR USED WITHOUT THE APPROVAL OF MICRO SWITCH.

### CHARACTERISTICS

OPERATING FORCE----- 3 LB. MAX.  
DIFFERENTIAL FORCE----- 1/4 LB. MIN.  
RELEASE FORCE----- 1/4 LB. MIN.  
PRETRAVEL----- (3°) .078 MAX.  
DIFFERENTIAL TRAVEL----- (1/2°) .014 MAX.  
OVERTRAVEL----- (17°) .469 MIN.

### ELECTRICAL DATA

CONTACT ARRANGEMENT  
S. P. D. T.

- L96- 15 A - 125, 250, OR 480 VAC  
1/2 A - 125 VDC; 1/4 A - 250 VDC  
1/8 HP - 125 VAC; 1/4 HP - 250 VAC

### SCALE FULL

DO NOT SCALE PRINT

UNLESS OTHERWISE SPECIFIED  
DIMENSIONS ARE IN INCHES  
**TOLERANCES ARE:**  
ONE PLACE (.0) ±.030  
TWO PLACE (.00) ±.015  
THREE PLACE (.000) ±.005  
ANGLES ±

WEIGHT .850 LB.  
PLUS LEADS

FORMTEK

DRAWN

CHECK

56

3

10

3

10

3

10

3