

**MICRO SWITCH**  
a Honeywell Division

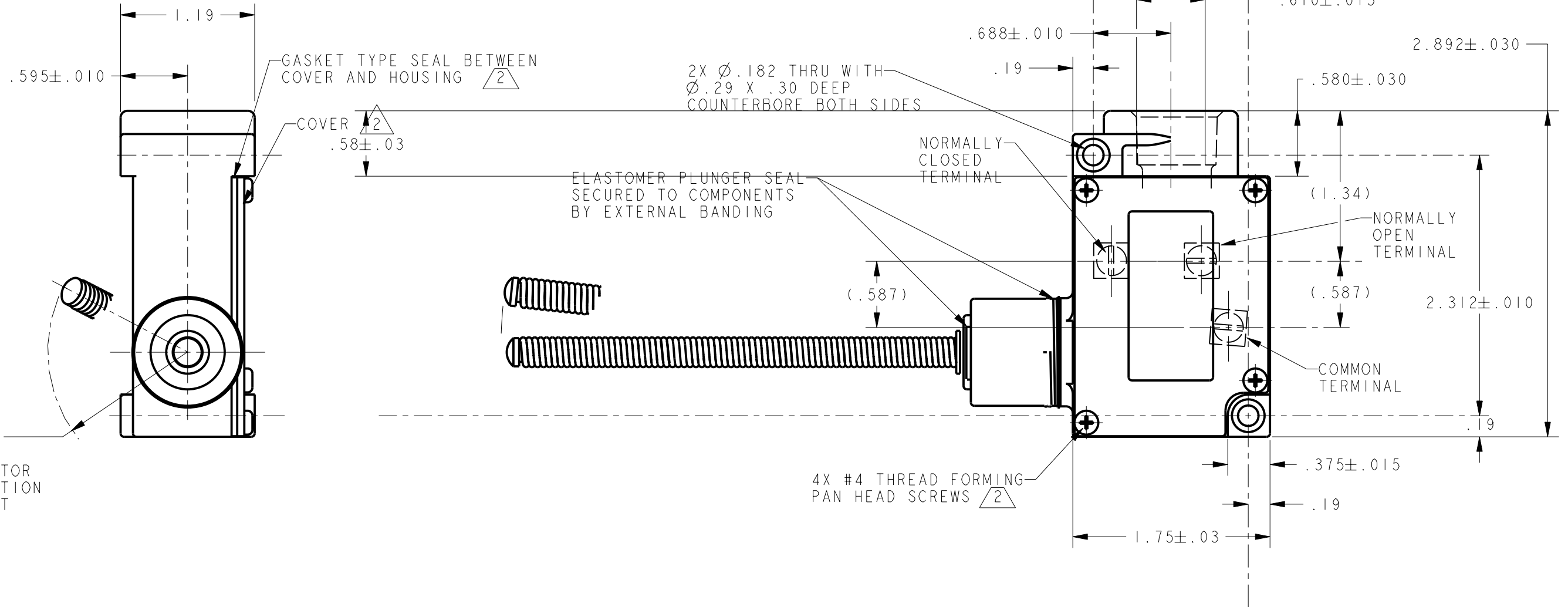
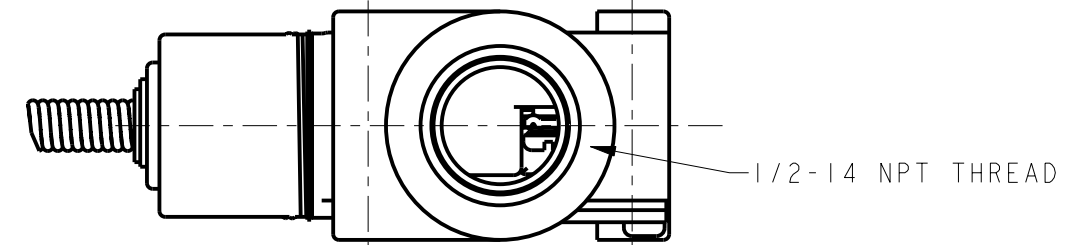
**SWITCH - ENCLOSED**

CATALOG LISTING

**BFL1-BW1**

FED. MFG. CODE 91929

NOTES  
1 - 3X 6-32 UNC PRESSURE PLATE TERMINAL SCREWS  
2 - FURNISHED UNASSEMBLED



BFL1-BW1

CATALOG LISTING

M

REVISIONS

CHECK

CHECK

CHECK

CHECK

CHECK

CHECK

CHECK

DRAWN

PTC/CAD 3D

REPLACES

PAGE 1 OF 1  
RELEASE NO. 203802

ISSUE 1

CHECK

CHECK

CHECK

CHECK

CHECK

CHECK

CHECK

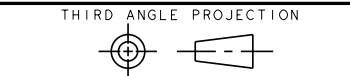
KED

THIS DRAWING COVERS A PROPRIETARY ITEM AND IS THE PROPERTY OF MICRO SWITCH, A DIVISION OF HONEYWELL. THIS DRAWING IS NOT TO BE COPIED OR USED WITHOUT THE APPROVAL OF MICRO SWITCH

CHARACTERISTICS  
OPERATING POSITION ..... 15° MAX  
OPERATING FORCE ..... 7 OZ MAX

ELECTRICAL DATA  
CONTACT ARRANGEMENT  
S P D T

L156  
1/1A 1/3HP 125, 250, 277 VAC  
1/2A 125 VDC, 1/4A 250 VDC  
4A 125 VAC "L"



SCALE FULL

DO NOT SCALE PRINT

UNLESS OTHERWISE SPECIFIED TOLERANCES ARE  
ONE PLACE (.0) ±.030  
TWO PLACE (.00) ±.015  
THREE PLACE (.000) ±.005  
ANGLES ±

WEIGHT

ANSI Y14.5M-1982 APPLIES

