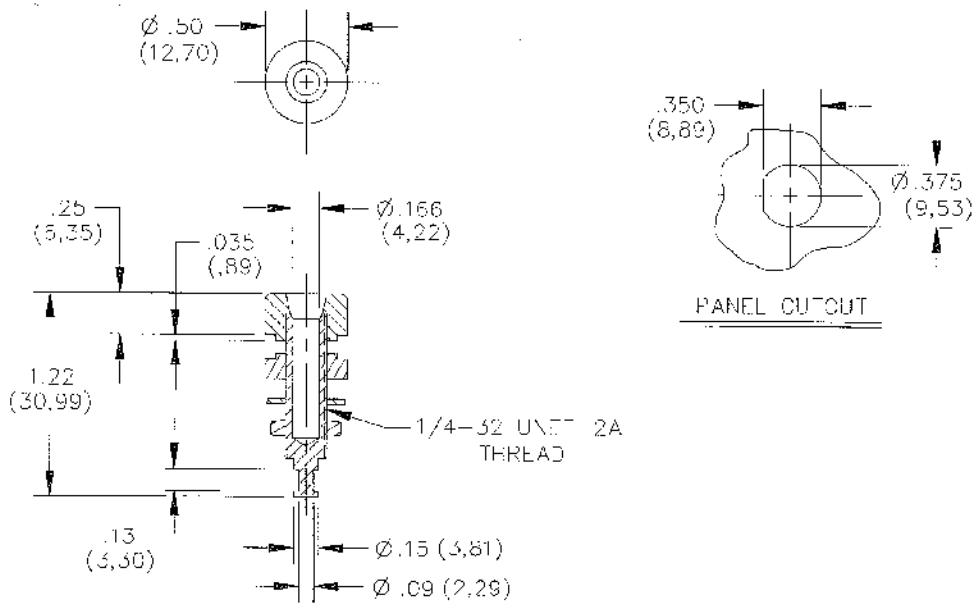




MODEL: BU-P2854-*
Banana Jack (Panel mount)



MATERIALS:

Contacts – Gold Plated Brass

Insulators – High Temperature Nylon

Comes standard is -0 Black; and -2 Red. Other colors available on special order

Solder connection

RATING:

15 Amps

Hands free testing to 2000 VDC max.

Temperature: -50°C to 120°C