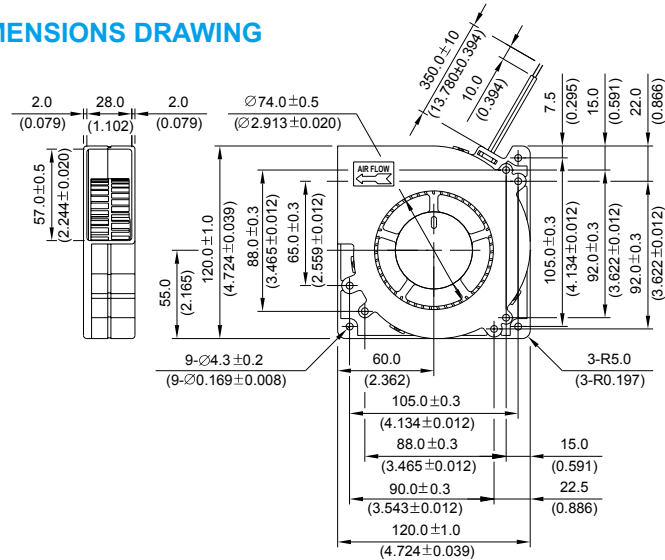
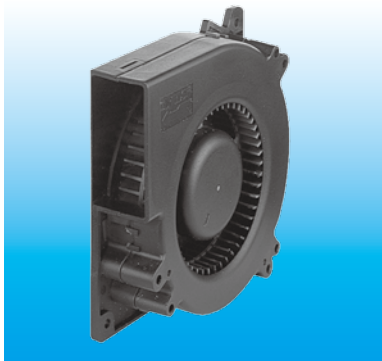


BFB 120 x 120 x 32 MM SERIES

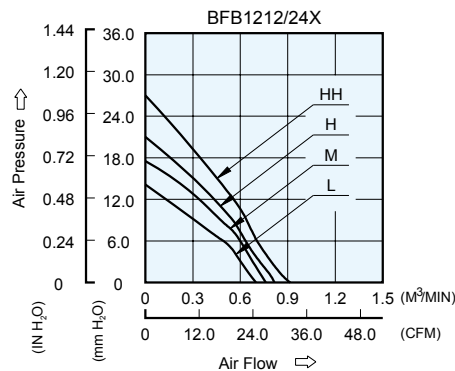
DIMENSIONS DRAWING



UNIT : $\frac{\text{mm}}{\text{(INCH)}}$

- * Bearing Type
Ball Bearings
- * Material
Impeller & Frame : Plastic (UL 94V-0)
- * Lead Wires :
UL 1007 AWG #24 OR Equivalent
Red Wire Positive(+)
Black Wire Negative(-)
- * Weight : 230g (8.11 oz)

P & Q CURVE (AT RATED VOLTAGE)

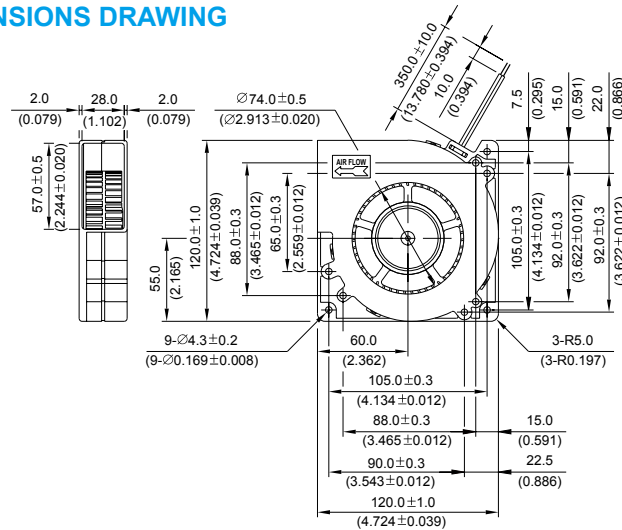
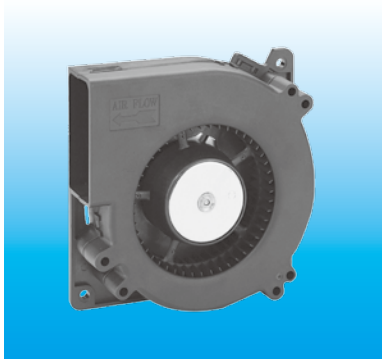


| MODEL | | Rated Voltage | Operating Voltage Range | Input Current | Input Power | Speed | Maximum Air Flow | | Maximum Air Pressure | | Noise |
|-----------|-------------|---------------|-------------------------|---------------|-------------|--------|---------------------|-------|----------------------|---------------------|-------|
| PART NO. | FUNCTION | VDC | VDC | Amp | Watt | R.P.M. | m ³ /min | CFM | mmH ₂ O | IN H ₂ O | dB-A |
| BFB1212L | -R00 / -F00 | 12 | 4.0 to 13.8 | 0.40 | 4.80 | 2100 | 0.699 | 24.70 | 14.00 | 0.551 | 47.0 |
| BFB1224L | -R00 / -F00 | 24 | 7.0 to 27.6 | 0.24 | 5.76 | | | | | | |
| BFB1212M | -R00 / -F00 | 12 | 4.0 to 13.8 | 0.58 | 6.96 | 2300 | 0.760 | 26.85 | 17.50 | 0.689 | 48.5 |
| BFB1224M | -R00 / -F00 | 24 | 7.0 to 27.6 | 0.28 | 6.72 | | | | | | |
| BFB1212H | -R00 / -F00 | 12 | 4.0 to 13.8 | 0.82 | 9.84 | 2500 | 0.821 | 29.00 | 21.00 | 0.827 | 51.0 |
| BFB1224H | -R00 / -F00 | 24 | 7.0 to 27.6 | 0.35 | 8.40 | | | | | | |
| BFB1212HH | -R00 / -F00 | 12 | 4.0 to 13.8 | 1.10 | 13.20 | 2800 | 0.920 | 32.49 | 27.00 | 1.063 | 54.0 |

* Function type is optional.
 * The max. air flow and the speed are measured in free air ; max. air pressure is measured at zero air flow.
 * Noise is measured in anechoic chamber in free air, one meter from intake side.
 * All readings are typical values at rated voltage.
 * Specifications are subject to change without notice.

BFB 120 x 120 x 32 MM SERIES

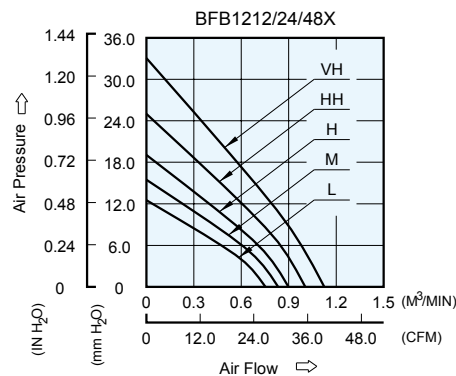
DIMENSIONS DRAWING



UNIT : $\frac{\text{mm}}{(\text{INCH})}$

- * Bearing Type
Ball Bearings
- * Material
Impeller & Frame : Plastic (UL 94V-0)
- * Lead Wires :
UL 1007 AWG #24 OR Equivalent
Red Wire Positive(+)
Black Wire Negative(-)
- * Weight : 230g (8.11 oz)

P & Q CURVE (AT RATED VOLTAGE)

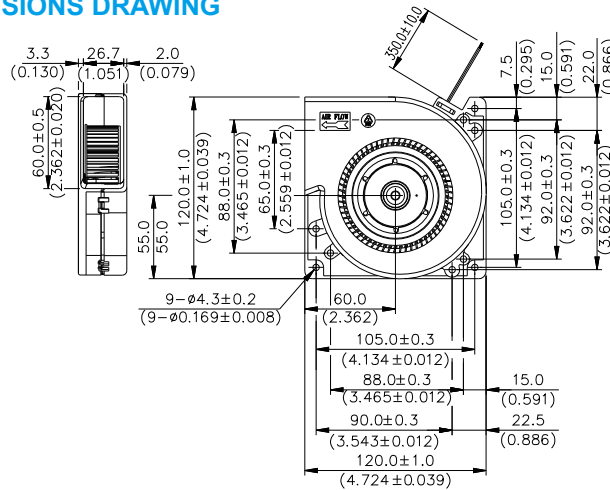
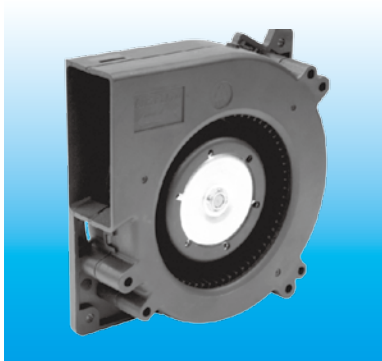


| MODEL | | Rated Voltage | Operating Voltage Range | Input Current | Input Power | Speed | Maximum Air Flow | | Maximum Air Pressure | | Noise |
|-----------|-------------|---------------|-------------------------|---------------|-------------|--------|---------------------|-------|----------------------|---------------------|-------|
| PART NO. | FUNCTION | VDC | VDC | Amp | Watt | R.P.M. | m ³ /min | CFM | mmH ₂ O | IN H ₂ O | dB-A |
| BFB1248L | -R00 / -F00 | 48 | 28.0 to 56.0 | 0.09 | 4.32 | 2100 | 0.750 | 26.49 | 12.50 | 0.492 | 47.0 |
| BFB1248M | -R00 / -F00 | 48 | 28.0 to 56.0 | 0.12 | 5.76 | 2300 | 0.830 | 29.31 | 15.50 | 0.610 | 48.5 |
| BFB1248H | -R00 / -F00 | 48 | 28.0 to 56.0 | 0.15 | 7.20 | 2500 | 0.890 | 31.43 | 19.00 | 0.748 | 51.0 |
| BFB1224HH | -R00 / -F00 | 24 | 7.0 to 27.6 | 0.54 | 12.96 | 2800 | 1.000 | 35.31 | 25.00 | 0.984 | 54.0 |
| BFB1248HH | -R00 / -F00 | 48 | 28.0 to 56.0 | 0.22 | 10.56 | | | | | | |
| BFB1212VH | -R00 / -F00 | 12 | 4.0 to 13.8 | 1.25 | 15.00 | 3100 | 1.120 | 39.55 | 33.00 | 1.299 | 56.5 |
| BFB1224VH | -R00 / -F00 | 24 | 7.0 to 27.6 | 0.60 | 14.40 | | | | | | |

* Function type is optional.
 * The max. air flow and the speed are measured in free air ; max. air pressure is measured at zero air flow.
 * Noise is measured in anechoic chamber in free air, one meter from intake side.
 * All readings are typical values at rated voltage.
 * Specifications are subject to change without notice.

BFB 120 x 120 x 32 MM SERIES

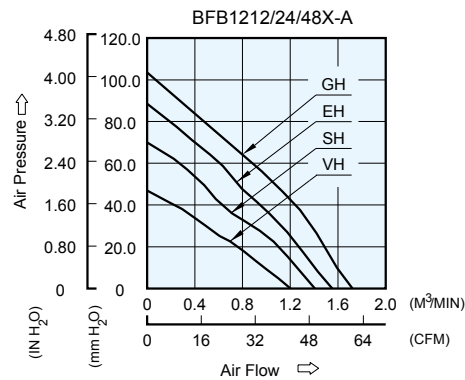
DIMENSIONS DRAWING



UNIT : $\frac{\text{mm}}{\text{(INCH)}}$

- * Bearing Type
Ball Bearings
- * Material
Impeller & Frame : Plastic (UL 94V-0)
- * Lead Wires :
UL 1430 AWG #22 OR Equivalent
Red Wire Positive(+)
Black Wire Negative(-)
- * Weight : 295.0g (10.40 oz)

P & Q CURVE (AT RATED VOLTAGE)



| MODEL | | | Rated Voltage | Operating Voltage Range | Input Current | Input Power | S peed | Maximum Air Flow | | Maximum Air Pressure | | Noise |
|-----------|------|-----------|---------------|-------------------------|---------------|-------------|--------|---------------------|-------|----------------------|---------------------|-------|
| PART NO. | REV. | FUNCTION | VDC | VDC | Amp | Watt | R.P.M. | m ³ /min | CFM | mmH ₂ O | IN H ₂ O | dB-A |
| BFB1212VH | -A | R00 / F00 | 12 | 5.5 to 13.8 | 1.47 | 17.64 | 3100 | 1.203 | 42.47 | 46.94 | 1.848 | 57.0 |
| BFB1224VH | -A | R00 / F00 | 24 | 14.0 to 27.6 | 0.70 | 16.80 | | | | | | |
| BFB1248VH | -A | R00 / F00 | 48 | 24.0 to 56.0 | 0.37 | 17.39 | | | | | | |
| BFB1212SH | -A | R00 / F00 | 12 | 5.5 to 13.0 | 1.75 | 21.00 | 3600 | 1.406 | 49.67 | 69.95 | 2.754 | 59.5 |
| BFB1224SH | -A | R00 / F00 | 24 | 14.0 to 27.6 | 0.90 | 21.60 | | | | | | |
| BFB1248SH | -A | R00 / F00 | 48 | 24.0 to 56.0 | 0.49 | 23.52 | | | | | | |
| BFB1212EH | -A | R00 / F00 | 12 | 5.5 to 13.0 | 2.37 | 28.44 | 4000 | 1.553 | 54.85 | 88.51 | 3.485 | 62.0 |
| BFB1224EH | -A | R00 / F00 | 24 | 14.0 to 27.6 | 1.12 | 26.88 | | | | | | |
| BFB1248EH | -A | R00 / F00 | 48 | 24.0 to 56.0 | 0.61 | 29.28 | | | | | | |
| BFB1212GH | -A | R00 / F00 | 12 | 5.5 to 13.2 | 3.30 | 39.60 | 4400 | 1.710 | 60.39 | 104.00 | 4.094 | 65.0 |
| BFB1224GH | -A | R00 / F00 | 24 | 14.0 to 27.6 | 1.60 | 38.40 | | | | | | |
| BFB1248GH | -A | R00 / F00 | 48 | 24.0 to 53.0 | 0.80 | 38.40 | | | | | | |

* Function type is optional.
 * The max. air flow and the speed are measured in free air ; max. air pressure is measured at zero air flow.
 * Noise is measured in anechoic chamber in free air, one meter from intake side.
 * All readings are typical values at rated voltage.
 * Specifications are subject to change without notice.

Mouser Electronics

Authorized Distributor

Click to View Pricing, Inventory, Delivery & Lifecycle Information:

Delta Electronics:

[BFB1248GH-AF00](#) [BFB1212EH-A](#) [BFB1212GH-A](#) [BFB1248GH-A](#) [BFB1224GH-AF00](#) [BFB1248EH-AR00](#)
[BFB1224EH-AF00](#) [BFB1224VH-A](#) [BFB1248VH-A](#) [BFB1248EH-AF00](#) [BFB1248SH-AR00](#) [BFB1212GH-AR00](#)
[BFB1212VH-A](#) [BFB1248SH-A](#) [BFB1212SH-A](#) [BFB1224VH-AR00](#) [BFB1224GH-A](#) [BFB1248EH-A](#) [BFB1248SH-AF00](#)
[BFB1212GH-AF00](#) [BFB1224EH-AR00](#) [BFB1212EH-AR00](#) [BFB1224SH-A](#) [BFB1224SH-AR00](#) [BFB1248VH-AF00](#)
[BFB1248GH-AR00](#) [BFB1212SH-AR00](#) [BFB1224VH-AF00](#) [BFB1224GH-AR00](#) [BFB1224SH-AF00](#) [BFB1212EH-AF00](#)
[BFB1212SH-AF00](#) [BFB1248VH-AR00](#) [BFB1224EH-A](#)