



## Data and signal line chokes

SIMDAD 1812, common-mode chokes  
42 V AC/80 V DC, 11 ... 100  $\mu$ H, 150 ... 300 mA

**Series/Type:** B82789C0/S0

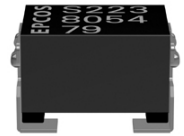
**Date:** October 2008

© EPCOS AG 2015. Reproduction, publication and dissemination of this publication, enclosures hereto and the information contained therein without EPCOS' prior express consent is prohibited.

EPCOS AG is a TDK Group Company.

### SMD

**Rated voltage 42 V AC/80 V DC**  
**Rated inductance 11  $\mu$ H to 100  $\mu$ H**  
**Rated current 150 mA to 300 mA**



### Construction

- Current-compensated double choke
- Ferrite I core
- Winding: enamel copper wire
- Winding welded to terminals
- Bifilar winding (B82789C0...)
- Sector winding (B82789S0...)

### Features

- Temperature range up to 150 °C (B82789C0/S0\*H)
- Suitable for lead-free reflow soldering as referenced in JEDEC J-STD 020C
- For gold-plated terminals conductive adhesion possible
- Qualified to AEC-Q200
- RoHS-compatible

### Function

- B82789C0:  
Suppression of asymmetrical interference coupled in on lines, whereas data signals up to some MHz can pass unaffectedly.
- B82789S0:  
Suppression of asymmetrical (by  $L_R$ ) and symmetrical interference (by  $L_{\text{stray}}$ ) coupled in on lines. The high-frequency portions of the symmetrical data signal are decreased so far that EMC problems can be significantly reduced.

### Applications

- Automotive applications, e.g. CAN and FlexRay bus
- Industrial field bus systems
- Line cards for telecom

### Terminals

Tinned terminals (B82789C0/S0\*002)

- Base material CuSn6
- Layer composition Ni, Ag, Sn<sup>1)</sup>
- Lead-free tinned

Gold-plated terminals (B82789C0/S0\*001)

- Base material CuSn6
- Layer composition Ni, Ag, Au
- Gold plated

1) Ni-barrier-plated terminals (NiSn) on request (B82789C0/S0\*H052).

SMD**Marking**

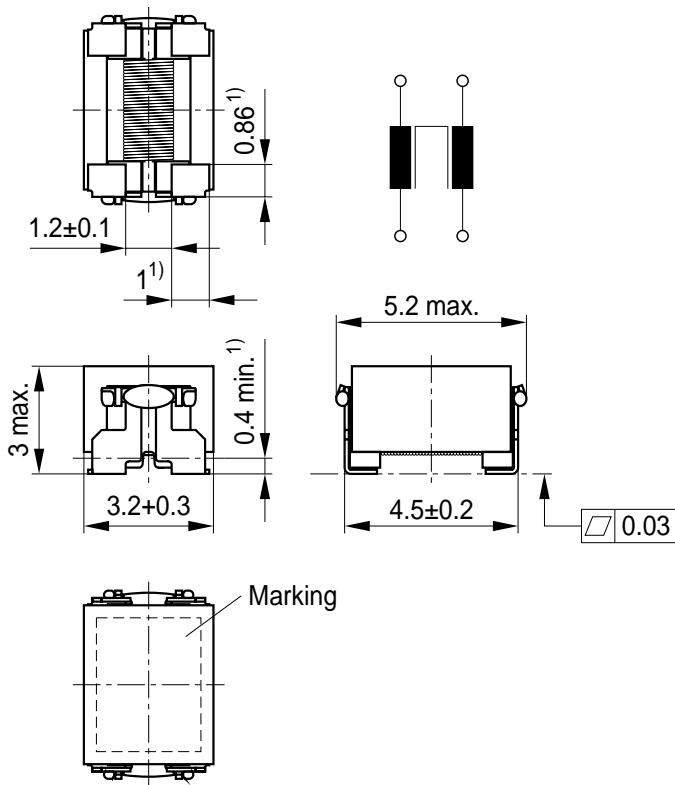
- Marking on component:  
Manufacturer, bifilar or sector winding (coded),  
L value (in nH; for version B82789C0/S0\*H052 underlined),  
date of manufacture (YWWD), two last digits of production order
- Minimum data on reel:  
Manufacturer, ordering code, L value (in nH), quantity, date of packing

**Delivery mode and packing unit**

- 12-mm blister tape, wound on 330-mm  $\varnothing$  reel
- Packing unit: 2500 pcs./reel

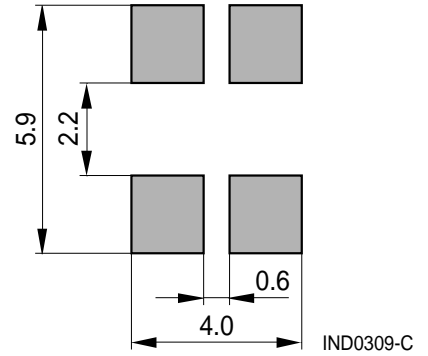
**SMD**

**Dimensional drawing and layout recommendation**



1) Soldering area

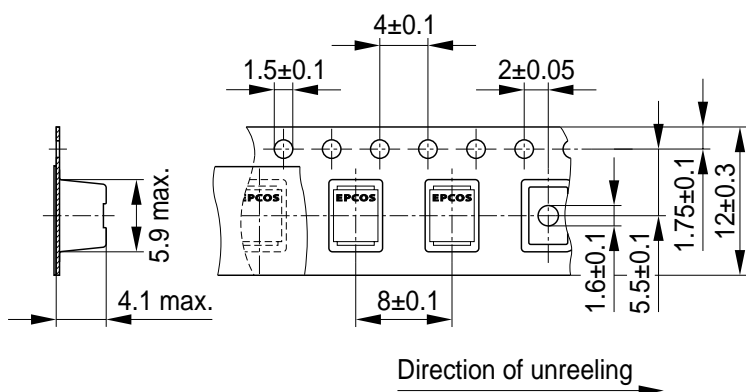
IND0303-W-E



Dimensions in mm

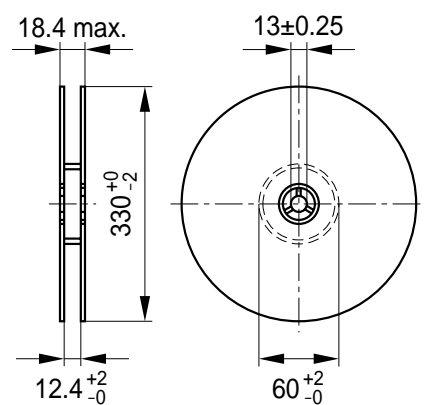
**Taping and packing**

Blister tape



IND0416-9-E

Reel



IND0421-C

Dimensions in mm

SMD
**Technical data and measuring conditions**

Rated voltage $V_R$	42 V AC (50/60 Hz) / 80 V DC
Test voltage $V_{test}$	250 V DC, 2 s (line/line)
Rated temperature $T_R$	85 °C / 110 °C
Rated current $I_R$	Referred to 50 Hz and rated temperature
Rated inductance $L_R$	Measured with Agilent 4284A at 100 kHz, 0.1 mA, 20 °C Inductance is specified per winding.
Inductance tolerance	-30/+50% at 20 °C
Inductance decrease $\Delta L/L_0$	Common mode < 10% at DC magnetic bias with $I_R$ , 20 °C
Stray inductance $L_{stray,typ}$	Measured with Agilent 4284A at 100 kHz, 5 mA, 20 °C, typical values
DC resistance $R_{max}$	Measured at 20 °C, specified per winding
Solderability (lead-free)	Dip and look method Sn95.5Ag3.8Cu0.7: (245 ±5) °C, (3 ±0.3) s Wetting of soldering area ≥ 90% (based on IEC 60068-2-58)
Resistance to soldering heat	260 °C, 40 s as referenced in JEDEC J-STD 020C
Climatic category	55/125/56 (B82789*N) 55/150/56 (B82789*H) (to IEC 60068-1)
Storage conditions	Mounted: -55 °C ... +125 °C (B82789C0/S0*N) -55 °C ... +150 °C (B82789C0/S0*H) Packaged: -25 °C ... +40 °C, ≤ 75% RH
Weight	Approx. 0.16 g

SMD
**Characteristics and ordering codes**

$L_R$ $\mu\text{H}$	$L_{\text{stray,typ}}$ $\mu\text{H}$	$I_R$ mA	$R_{\text{max}}$ m $\Omega$	$T_R$ $^{\circ}\text{C}$	Ordering code	
					Gold-plated terminals	Tinned terminals
B82789C0/S0*N (operating temperature: $-55 \dots +125 \text{ }^{\circ}\text{C}$ )						
11	0.06	300	250	85	B82789C0113N001	B82789C0113N002
22	0.10	250	580	85	B82789C0223N001	B82789C0223N002
22	3.0	250	580	85	B82789S0223N001	B82789S0223N002
51	0.10	250	550	85	B82789C0513N001	B82789C0513N002
100	0.25	150	1500	85	B82789C0104N001	B82789C0104N002
B82789C0/S0*H (operating temperature: $-55 \dots +150 \text{ }^{\circ}\text{C}$ )						
11	0.06	300	250	110	B82789C0113H001	B82789C0113H002 <sup>1)</sup>
22	0.10	250	580	110	B82789C0223H001	B82789C0223H002 <sup>1)</sup>
22	3.0	250	580	110	B82789S0223H001	B82789S0223H002 <sup>1)</sup>
51	0.10	250	550	110	B82789C0513H001	B82789C0513H002 <sup>1)</sup>
100	0.25	150	1500	110	B82789C0104H001	B82789C0104H002 <sup>1)</sup>

Sample kit available. Ordering code: B82789X001  
 For more information refer to chapter "Sample kits".

1) Replace the two last digits "02" by "52" for Ni-barrier-plated terminals.

**SIMDAD 1812, common-mode chokes**

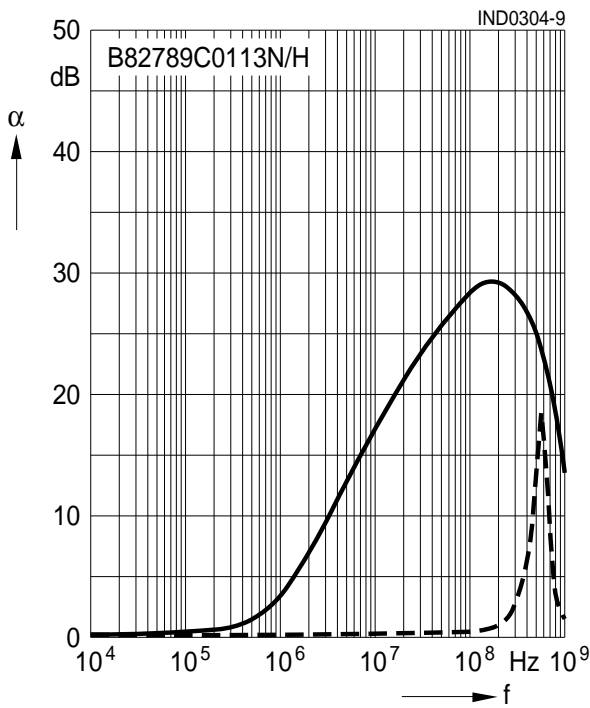
**SMD**

**Insertion loss  $\alpha$**  (typical values at  $|Z| = 50 \Omega$ ,  $20^\circ\text{C}$ )

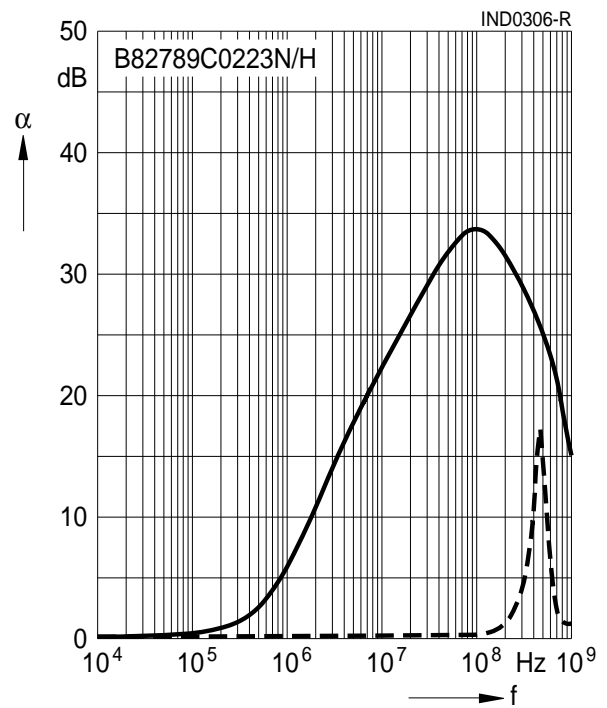
———— asymmetrical, all branches in parallel (common mode)

- - - - - symmetrical (differential mode)

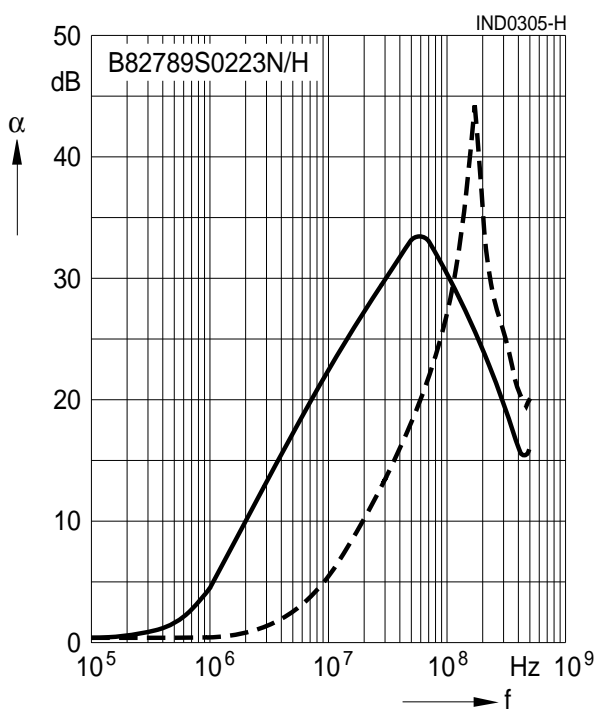
$L_R = 11 \mu\text{H}$



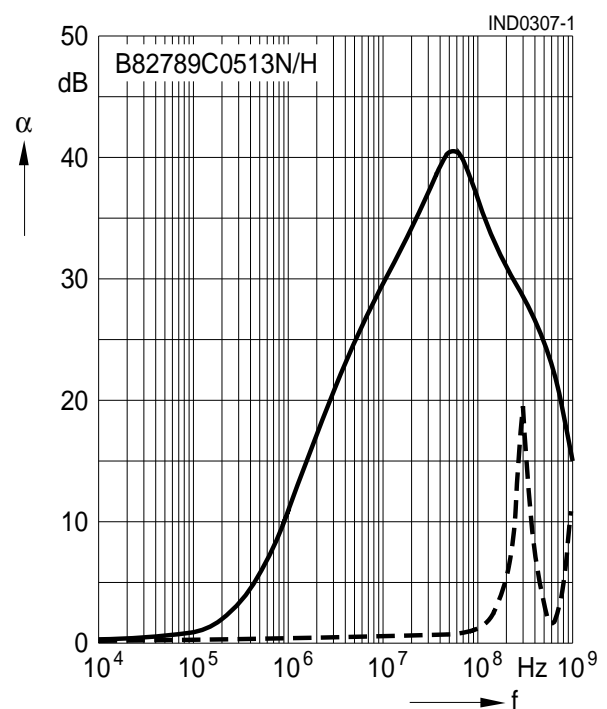
$L_R = 22 \mu\text{H}$  (low  $L_{\text{stray}}$ )



$L_R = 22 \mu\text{H}$  (high  $L_{\text{stray}}$ )



$L_R = 51 \mu\text{H}$



**SIMDAD 1812, common-mode chokes**

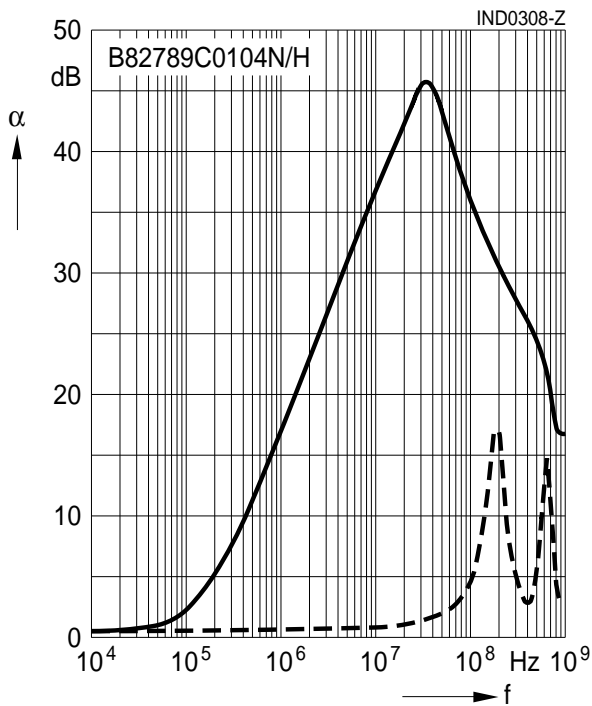
**SMD**

**Insertion loss  $\alpha$**  (typical values at  $|Z| = 50 \Omega$ ,  $20^\circ\text{C}$ )

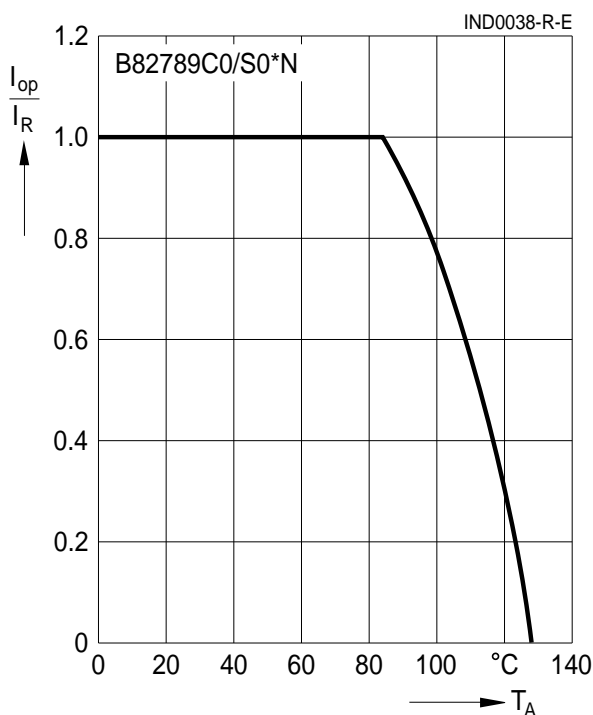
———— asymmetrical, all branches in parallel (common mode)

- - - - - symmetrical (differential mode)

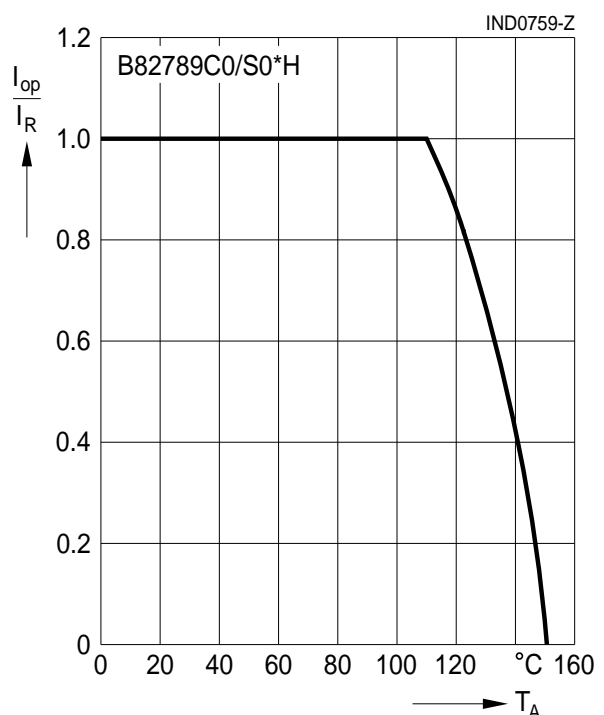
$L_R = 100 \mu\text{H}$



**Current derating  $I_{op}/I_R$  versus ambient temperature** (rated temperature  $T_R = 85^\circ\text{C}$ )



**Current derating  $I_{op}/I_R$  versus ambient temperature** (rated temperature  $T_R = 110^\circ\text{C}$ )







## Cautions and warnings

- Please note the recommendations in our Inductors data book (latest edition) and in the data sheets.
  - Particular attention should be paid to the derating curves given there.
  - The soldering conditions should also be observed. Temperatures quoted in relation to wave soldering refer to the pin, not the housing.
- If the components are to be washed varnished it is necessary to check whether the washing varnish agent that is used has a negative effect on the wire insulation, any plastics that are used, or on glued joints. In particular, it is possible for washing varnish agent residues to have a negative effect in the long-term on wire insulation.
- The following points must be observed if the components are potted in customer applications:
  - Many potting materials shrink as they harden. They therefore exert a pressure on the plastic housing or core. This pressure can have a deleterious effect on electrical properties, and in extreme cases can damage the core or plastic housing mechanically.
  - It is necessary to check whether the potting material used attacks or destroys the wire insulation, plastics or glue.
  - The effect of the potting material can change the high-frequency behaviour of the components.
- Ferrites are sensitive to direct impact. This can cause the core material to flake, or lead to breakage of the core.
- Even for customer-specific products, conclusive validation of the component in the circuit can only be carried out by the customer.

## Important notes

The following applies to all products named in this publication:

1. Some parts of this publication contain **statements about the suitability of our products for certain areas of application**. These statements are based on our knowledge of typical requirements that are often placed on our products in the areas of application concerned. We nevertheless expressly point out **that such statements cannot be regarded as binding statements about the suitability of our products for a particular customer application**.

As a rule, EPCOS is either unfamiliar with individual customer applications or less familiar with them than the customers themselves. For these reasons, it is always ultimately incumbent on the customer to check and decide whether an EPCOS product with the properties described in the product specification is suitable for use in a particular customer application.

2. We also point out that **in individual cases, a malfunction of electronic components or failure before the end of their usual service life cannot be completely ruled out in the current state of the art, even if they are operated as specified**. In customer applications requiring a very high level of operational safety and especially in customer applications in which the malfunction or failure of an electronic component could endanger human life or health (e.g. in accident prevention or life-saving systems), it must therefore be ensured by means of suitable design of the customer application or other action taken by the customer (e.g. installation of protective circuitry or redundancy) that no injury or damage is sustained by third parties in the event of malfunction or failure of an electronic component.
3. **The warnings, cautions and product-specific notes must be observed.**
4. In order to satisfy certain technical requirements, **some of the products described in this publication may contain substances subject to restrictions in certain jurisdictions (e.g. because they are classed as hazardous)**. Useful information on this will be found in our Material Data Sheets on the Internet ([www.epcos.com/material](http://www.epcos.com/material)). Should you have any more detailed questions, please contact our sales offices.
5. We constantly strive to improve our products. Consequently, **the products described in this publication may change from time to time**. The same is true of the corresponding product specifications. Please check therefore to what extent product descriptions and specifications contained in this publication are still applicable before or when you place an order.

We also **reserve the right to discontinue production and delivery of products**. Consequently, we cannot guarantee that all products named in this publication will always be available.

The aforementioned does not apply in the case of individual agreements deviating from the foregoing for customer-specific products.

6. Unless otherwise agreed in individual contracts, **all orders are subject to the current version of the “General Terms of Delivery for Products and Services in the Electrical Industry” published by the German Electrical and Electronics Industry Association (ZVEI)**.
7. The trade names EPCOS, BAOKE, Alu-X, CeraDiode, CSMP, CSSP, CTVS, DSSP, MiniBlue, MKK, MLSC, MotorCap, PCC, PhaseCap, PhaseCube, PhaseMod, SIFERRIT, SIFI, SIKOREL, SilverCap, SIMDAD, SIMID, SineFormer, SIOV, SIP5D, SIP5K, ThermoFuse, WindCap are **trademarks registered or pending** in Europe and in other countries. Further information will be found on the Internet at [www.epcos.com/trademarks](http://www.epcos.com/trademarks).