

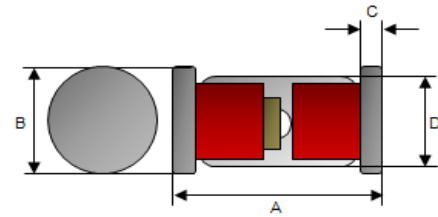
Small Signal Diode



Mini-MELF (LL34)
HERMETICALLY SEALED GLASS

Features

- ✧ Wide zener voltage range selection: 2.4V to 75V
- ✧ Vz Tolerance Selection of ±5%
- ✧ Designed for through-Hole Device Type Mounting
- ✧ Hermetically Sealed Glass
- ✧ Pb free version and RoHS compliant
- ✧ High reliability glass passivation insuring parameter stability and protection against junction contamination



Mechanical Data

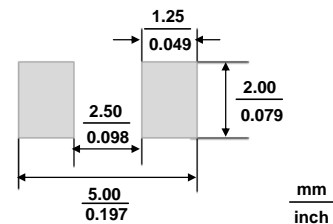
- ✧ Case : Mini-MELF Package (JEDEC DO-213AC)
- ✧ High temperature soldering guaranteed : 270°C/10s
- ✧ Polarity : Indicated by cathode band
- ✧ Weight : approx. 31 mg

Dimensions	Unit (mm)		Unit (inch)	
	Min	Max	Min	Max
A	3.30	3.70	0.130	0.146
B	1.40	1.60	0.055	0.063
C	0.25	0.40	0.010	0.016
D	1.25	1.40	0.049	0.055

Ordering Information

Part No.	Package code	Package	Packing
BZV55C2V4-75	L0	LL34	10K / 13" Reel
BZV55C2V4-75	L1	LL34	2.5K / 7" Reel

Suggested PAD Layout



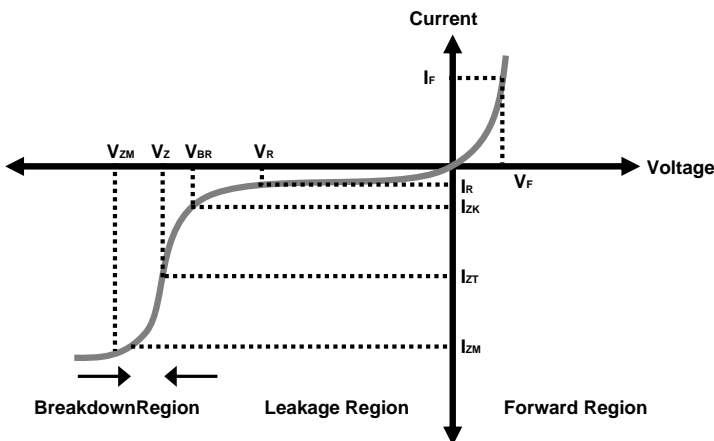
Maximum Ratings and Electrical Characteristics

Rating at 25°C ambient temperature unless otherwise specified.

Maximum Ratings

Type Number	Symbol	Value	Units
Power Dissipation	P _D	500	mW
Maximum Forward Voltage @I _F =100mA	V _F	1	V
Thermal Resistance (Junction to Ambient) (Note 1)	RθJA	300	°C/W
Storage Temperature Range	T _J , T _{STG}	-65 to + 175	°C

Zener I vs.V Characteristics



- V_{BR} : Voltage at I_{ZK}
- I_{ZK} : Test current for voltage V_{BR}
- Z_{ZK} : Dynamic impedance at I_{ZK}
- I_{ZT} : Test current for voltage V_Z
- V_Z : Voltage at current I_{ZT}
- Z_{ZT} : Dynamic impedance at I_{ZT}
- I_{ZM} : Maximum steady state current
- V_{ZM} : Voltage at I_{ZM}

Small Signal Diode

Electrical Characteristics

Ta = 25°C unless otherwise noted

V_F Forward Voltage = 1.0V Maximum @ I_F = 100 mA for all part numbers

Part Number	V _Z @ I _{ZT} (Volt)			I _{ZT} (mA)	Z _{TT} @ I _{ZT} (Ω) Max	I _{ZK} (mA)	Z _{ZK} @ I _{ZK} (Ω) Max	I _R @ V _R (μA) Max	V _R (V)
	Min	Nom	Max						
BZV55C2V4	2.28	2.4	2.52	5	85	1.0	600	50	1.0
BZV55C2V7	2.57	2.7	2.84	5	85	1.0	600	10	1.0
BZV55C3V0	2.85	3.0	3.15	5	85	1.0	600	4	1.0
BZV55C3V3	3.14	3.3	3.47	5	85	1.0	600	2	1.0
BZV55C3V6	3.42	3.6	3.78	5	85	1.0	600	2	1.0
BZV55C3V9	3.71	3.9	4.10	5	85	1.0	600	2	1.0
BZV55C4V3	4.09	4.3	4.52	5	75	1.0	600	1	1.0
BZV55C4V7	4.47	4.7	4.94	5	60	1.0	600	0.5	1.0
BZV55C5V1	4.85	5.1	5.36	5	35	1.0	550	0.1	1.0
BZV55C5V6	5.32	5.6	5.88	5	25	1.0	450	0.1	1.0
BZV55C6V2	5.89	6.2	6.51	5	10	1.0	200	0.1	2.0
BZV55C6V8	6.46	6.8	7.14	5	8	1.0	150	0.1	3.0
BZV55C7V5	7.13	7.5	7.88	5	7	1.0	50	0.1	5.0
BZV55C8V2	7.79	8.2	8.61	5	7	1.0	50	0.1	6.2
BZV55C9V1	8.65	9.1	9.56	5	10	1.0	50	0.1	6.8
BZV55C10	9.50	10	10.50	5	15	1.0	70	0.1	7.5
BZV55C11	10.45	11	11.55	5	20	1.0	70	0.1	8.2
BZV55C12	11.40	12	12.60	5	20	1.0	90	0.1	9.1
BZV55C15	14.25	15	15.75	5	30	1.0	110	0.1	11
BZV55C16	15.20	16	16.80	5	40	1.0	170	0.1	12
BZV55C18	17.10	18	18.90	5	50	1.0	170	0.1	13
BZV55C20	19.00	20	21.00	5	55	1.0	220	0.1	15
BZV55C22	20.90	22	23.10	5	55	1.0	220	0.1	16
BZV55C24	22.80	24	25.20	5	80	1.0	220	0.1	18
BZV55C27	25.65	27	28.35	5	80	1.0	220	0.1	20
BZV55C30	28.50	30	31.50	5	80	1.0	220	0.1	22
BZV55C33	31.35	33	34.65	5	80	1.0	220	0.1	24
BZV55C36	34.20	36	37.80	5	80	1.0	220	0.1	27
BZV55C39	37.05	39	40.95	2.5	90	0.5	500	0.1	28
BZV55C43	40.85	43	45.15	2.5	90	0.5	600	0.1	32
BZV55C47	44.65	47	49.35	2.5	110	0.5	700	0.1	35
BZV55C51	48.45	51	53.55	2.5	125	0.5	700	0.1	38
BZV55C56	53.20	56	58.80	2.5	135	0.5	1000	0.1	42
BZV55C62	58.90	62	65.10	2.5	150	0.5	1000	0.1	47
BZV55C68	64.60	68	71.40	2.5	160	0.5	1000	0.1	51
BZV55C75	71.25	75	78.75	2.5	170	0.5	1000	0.1	56

Notes:

1. The Zener Voltage (V_Z) is tested under pulse condition of 10ms
2. The device numbers listed have a standard tolerance on the nominal zener voltage of **±5%**.
3. For detailed information on price, availability and delivery of nominal zener voltages between the voltages shown and tighter voltage tolerances, contact your nearest **Taiwan semiconductor** representative.
4. The zener impedance is derived from the 60-cycle ac voltage, which results when an ac current having an rms value equal to 10% of the DC zener current (I_{ZT} or I_{ZK}) is superimposed to I_{ZT} or I_{ZK}.

Small Signal Diode

Rating and Sharacteristic Curves

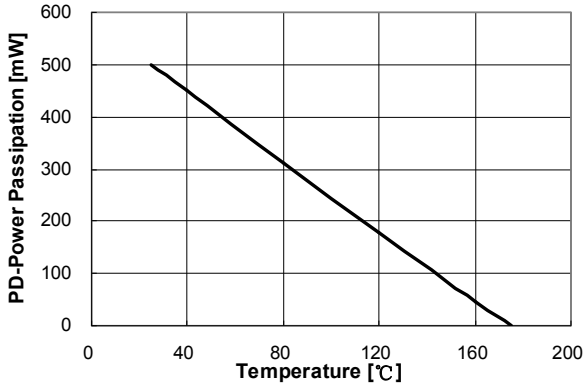


Figure 1. Power Dissipation vs Ambient Temperature
 Valid provided leads at a distance of 0.8mm from case are kept at ambient temperature

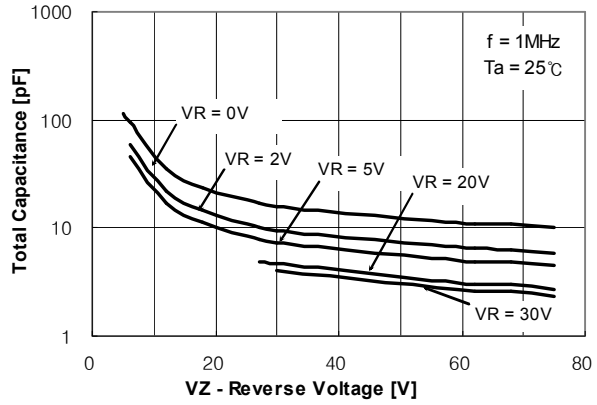


Figure 2. Total Capacitance

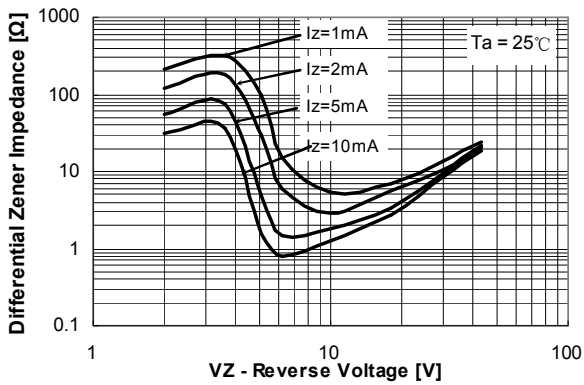


Figure 3. Differential Impedance vs. Zener Voltage

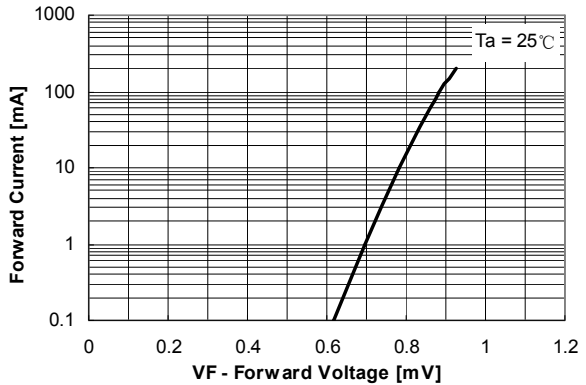


Figure 4. Forward Current vs. Forward Voltage

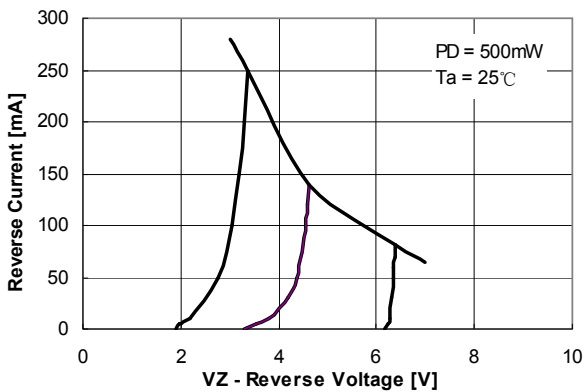


Figure 5. Reverse Current vs. Reverse Voltage

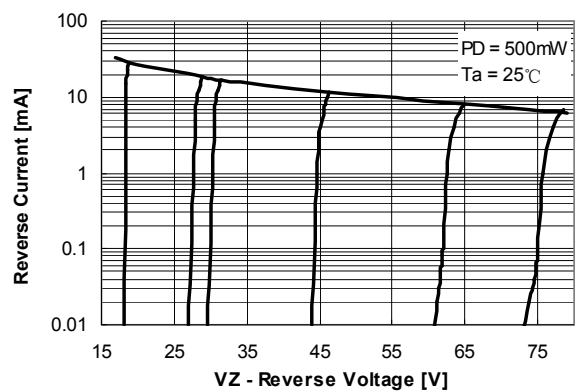
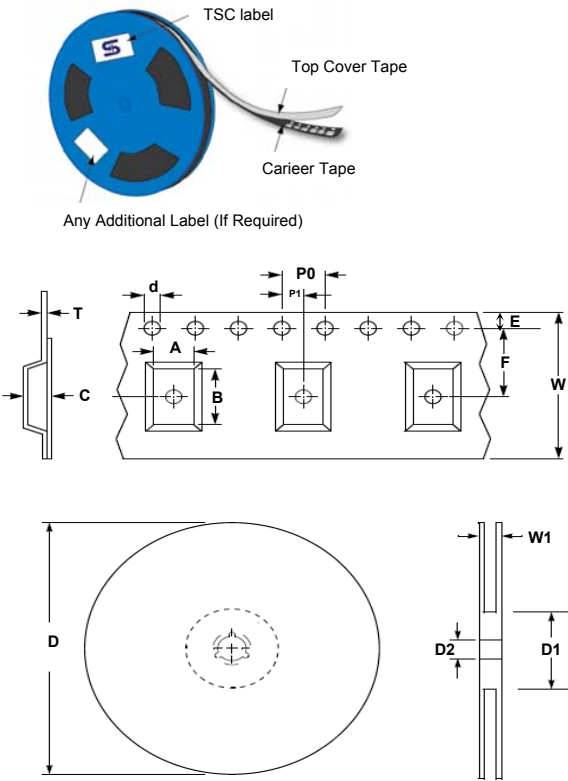


Figure 6. Reverse Current vs. Reverse Voltage

Small Signal Diode

BZV55C2V4-BZV55C75 500mW,5% Tolerance Zener Diode

Tape & Reel specification



Item	Symbol	Dimension(mm)
Carrier width	A	1.83 ±0.10
Carrier length	B	3.73 ±0.10
Carrier depth	C	1.80 ±0.10
Sprocket hole	d	1.50 ± 0.10
Reel outside diameter	D	178 ± 1 330 ± 1
Reel inner diameter	D1	55 Min 100Min
Feed hole width	D2	13.0 ± 0.20
Sprocket hole position	E	1.75 ±0.10
Punch hole position	F	3.50 ±0.05
Sprocke hole pitch	P0	4.00 ±0.10
Embossment center	P1	2.00 ±0.05
Overall tape thickness	T	0.23±0.005
Tape width	W	8.00 ±0.30
Reel width	W1	14.4max