



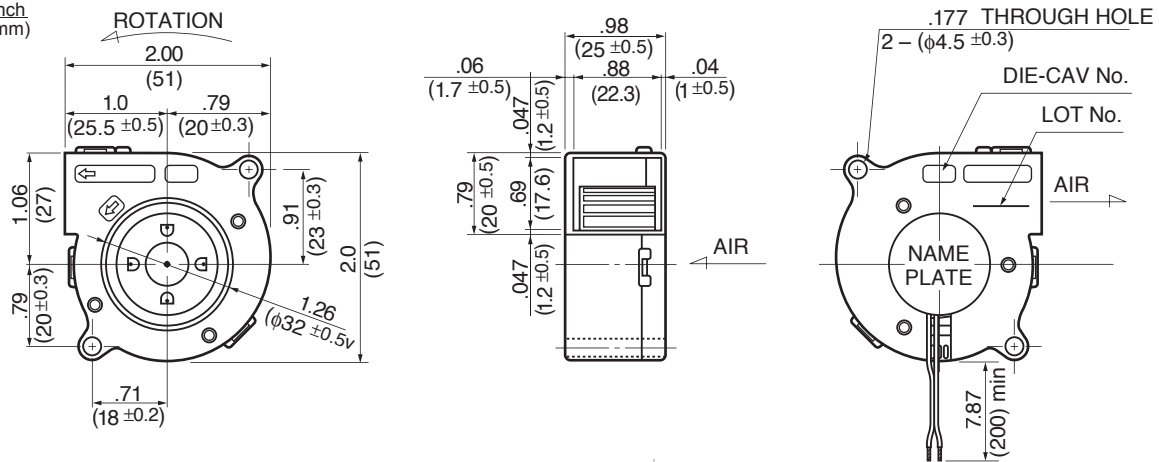
## General Specifications

### Allowable Ambient Temperature Range:

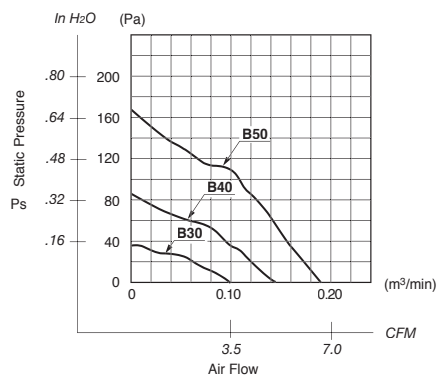
- B50 Class: -10°C ~ +60°C (Operating)
  - B30~B40 Class: -10°C ~ +70°C (Operating)
  - All Class: -40°C ~ +70°C (Storage)
- (non-condensing environment)

## Outline

Units:  $\frac{\text{inch}}{\text{mm}}$



## Characteristic Curves



## Material

- Casing : Plastic (Black) 94V-0
- Impeller : Plastic (Black) 94V-0
- Bearing : Ball Bearing
- Lead Wire : UL1061, AWG26, +Red, -Black

## Specifications

MODEL	Product No.	Rated Voltage	Operating Voltage	Current	Input Power	Speed	Max. Air Flow		Max. Static Pressure		Noise	Mass
		(V)	(V)	(A) <sup>*1</sup>	(W) <sup>*1</sup>	(min <sup>-1</sup> ) <sup>*1</sup>	CFM <sup>*1</sup>	(m <sup>3</sup> /min) <sup>*1</sup>	in H <sub>2</sub> O	(Pa) <sup>*1</sup>	(dB) <sup>*1</sup>	(g)
BM5125-04W-B30-	L00	12	10.2 ~ 13.8	0.06	0.72	2500	3.5	0.10	.14	35	27.0	35
BM5125-04W-B40-	L00	12	10.2 ~ 13.8	0.13	1.56	3500	5.3	0.15	.34	85	34.0	35
BM5125-04W-B50-	L00	12	10.2 ~ 13.8	0.24	2.88	4500	6.7	0.19	.64	160	41.0	35

Rotation: Counterclockwise

\*1: Average Values in Free Air

# Mouser Electronics

Authorized Distributor

Click to View Pricing, Inventory, Delivery & Lifecycle Information:

## [NMB Technologies:](#)

[BM5125-04W-B50-L00](#) [BM5125-01W-B30-L00](#) [BM5125-04W-B40-L00](#) [BM5125-01W-B40-L00](#) [BM5125-04W-B39-L50](#) [BM5125-04W-B49-L50](#) [BM5125-04W-B30-L00](#) [BM5125-04W-B59-L00](#) [BM5125-04W-B49-L00](#) [BM5125-04W-B59-L50](#) [BM5125-04W-B39-L00](#) [05125GA-12N-AA-00](#)