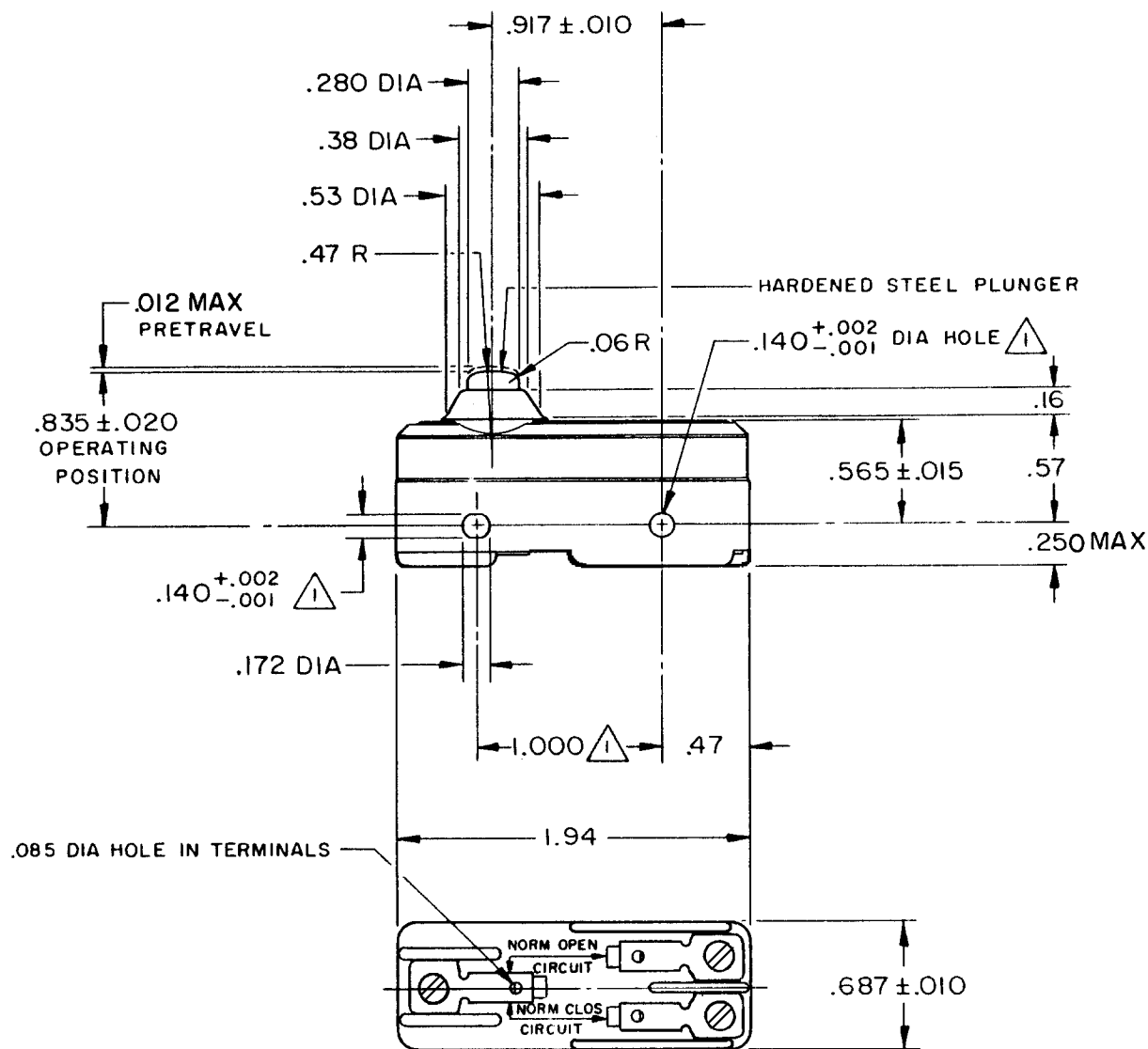


HONEYWELL
PART NUMBER
BM - 1RD373
AEP3511

REV	DOCUMENT	CHANGED BY	CHECK
B	0035411	JA 23NOV07	ASD



NOTE-
▲ MOUNTING HOLES WILL ACCEPT PINS OR SCREWS
OF .139 MAX DIA ON 1.000 ± .002 CENTERS.

REPLACES X115470-BM

CHARACTERISTICS		ELECTRICAL DATA		DESIGN UNITS: INCH TOLERANCES UNLESS NOTED:			DRAWN: KSR 09NOV04 CHECK: AK 09NOV04			Honeywell TITLE: SWITCH - BASIC THIS DRAWING COVERS A PROPRIETARY ITEM AND IS THE PROPERTY OF HONEYWELL. THIS DRAWING IS NOT TO BE COPIED OR USED WITHOUT THE PERMISSION OF HONEYWELL.		
OPERATING FORCE ----- 7 - 10 OZ RELEASE FORCE ----- 4 OZ MIN DIFFERENTIAL TRAVEL --- .0005 - .0010 OVERTRAVEL ----- .060 MIN		CONTACT ARRANGEMENT S P D T L161 22A-125, 250 OR 480 VAC 1/2HP-125 VAC; 1HP-250 VAC L288 L315 L318 22A 250V ~ T85 5E4		NO PLACE X ± 0.040 ONE PLACE .X ± 0.030 TWO PLACE .XX ± 0.015 THREE PLACE .XXX ± 0.005 FOUR PLACE .XXXX ± 0.0005 ANGLES ± 2			INTERPRET PER ASME Y14.5M-1994 OTHER HONEYWELL ENGINEERING STANDARDS MAY APPLY					
				THIRD ANGLE PROJECTION			RASTER			SCALE: 1:1 WEIGHT: .051 LB SHEET: 1 OF 1		