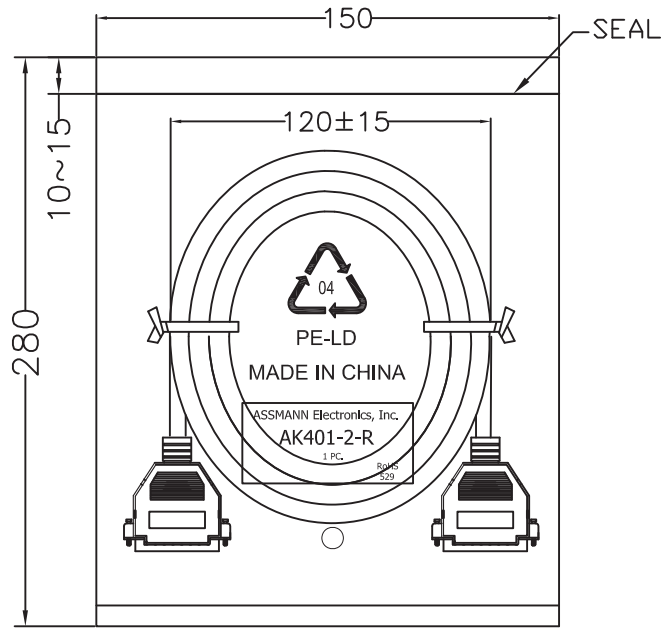


PIN ASSIGNMENT		
P1		P2
1	BLACK	1
2	BROWN	2
3	RED	3
4	ORANGE	4
5	YELLOW	5
6	GREEN	6
7	BLUE	7
8	PURPLE	8
9	GRAY	9
10	WHITE	10
11	PINK	11
12	LIGHT/GREEN	12
13	RED/BLACK	13
14	ORANGE/BLACK	14
15	YELLOW/BLACK	15
16	GREEN/BLACK	16
17	BLUE/BLACK	17
18	PURPLE/BLACK	18
19	WHITE/BLACK	19
20	RED/WHITE	20
21	ORANGE/WHITE	21
22	GREEN/WHITE	22
23	BLUE/WHITE	23
24	PURPLE/WHITE	24
25	BROWN/WHITE	25
SHELL	DRAIN	SHELL



Material:

- Cable: NOUL 28AWG*25C+D+AL
 - OD: 6.5MM
 - Color: Beige
- Connectors: DB25P Male Solder Type
 - Pin G/F
 - Blue insulation
 - DKN w/o Nut Beige
- Screw: #4-40UNC L=12.5MM, Nickel plated
- S/R Beige 45P PVC

Electrical:

- 100% Test (Open, Short, Miss Wire)
- Contact Resistance: 2Ω Max.
- Insulation Resistance: 5MΩ Min.
- Hi-Pot: 300V DC

Unit: MM



ITEM NO.	AK401-2-R
TITLE	Serial/Parallel Connection Cable - 25pin, 2M

ASSMANN
Electronics, Inc.

1840 W. Drake Drive, Suite 101 • Tempe, AZ 85283
Toll Free: 1-877-277-6266 • Email: info@usa-assmann.com

THIS DRAWING IS UNPUBLISHED
©Copyright 2010 by Assmann Electronic Components
All International Rights Reserved