

INTRODUCTION:

Adam Tech ADC Series DC Power Jacks are a complete line of miniature and sub-miniature power jacks primarily used for the transmission of wall current transformed to DC power, for detached and hand held instruments. Adam Tech power jacks are manufactured with a variety of center pin sizes for all standard applications including 1.00mm, 1.30mm, 2.00mm and 2.50mm. Our contact is designed using a wide spring grade plated copper alloy for exceptional plug retention and low contact resistance.

FEATURES:

- Low Profile designs
- Superior contact system
- Exceptional plug retention
- Choice of Center pin sizes
- Hi Temp Versions
- Hi Current Versions

MATING PLUGS:

All industry standard 1.00mm, 1.30mm, 2.00mm, 2.35mm and 2.50mm Plugs.

SPECIFICATIONS:

Material:

- Standard insulator: PBT Glass reinforced, rated UL94V-0
- Optional Hi-Temp insulator: Nylon 6T, rated UL94V-0
- Insulator Color: Black
- Center Pin: Brass, Nickel plated
- Contacts: Copper alloy

Contact Plating:

Silver over nickel underplate

Electrical:

- Operating voltage: 12V DC max.
- Current rating: 1 Amp max.
- Contact resistance: 30 mΩ max. initial
- Insulation resistance: 50 MΩ min.
- Dielectric withstanding voltage: 250V AC for 1 minute

Mechanical:

- Insertion force: 3 kg max.
- Withdrawal force: 0.3 kg min
- Mating durability: 5000 cycles min.

Temperature Rating:

- Operating temperature: -25°C to +85°C
- Soldering process temperature:
 - Standard insulator: 235°C
 - Hi-Temp insulator: 260°C

PACKAGING:

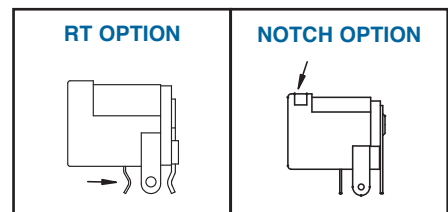
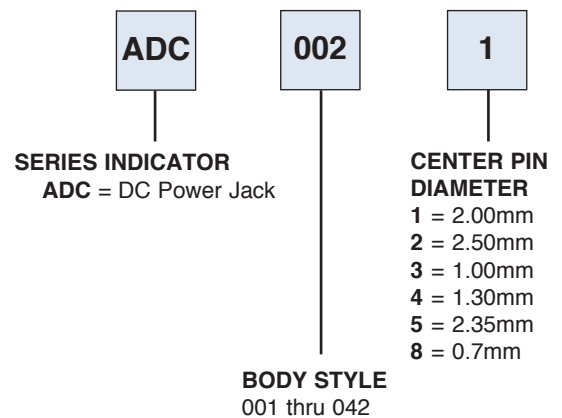
Anti-ESD plastic bags or Tape and Reel

APPROVALS AND CERTIFICATIONS:

UL Recognized & CSA Certified, File no. E224053



ORDERING INFORMATION



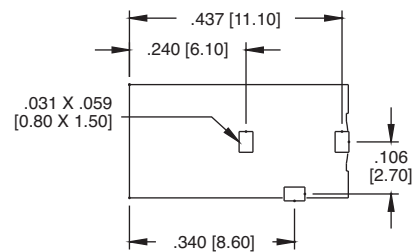
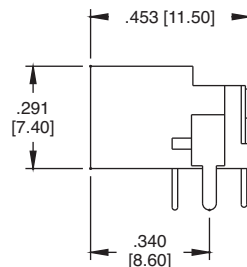
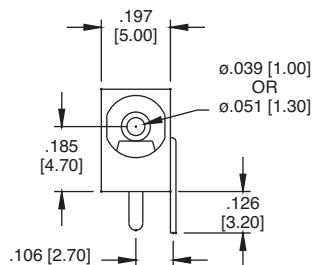
OPTIONS:

- Add designator(s) to end of part number
- RT** = PC Board Retention Feature (Type 007 & 009 only)
- HT** = Hi-Temp insulator for Hi-Temp soldering processes up to 260°C
- N** = Notch option, (ADC-002 only)
- ADCH** = DC Power Jack Hi-Current 5 Amp Version

ADC-007



ADC-007-3

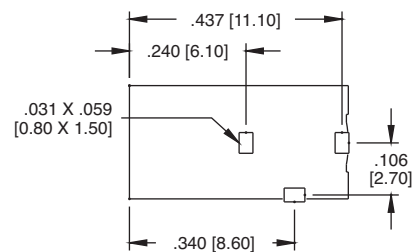
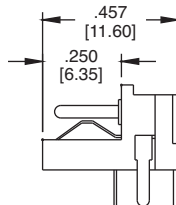
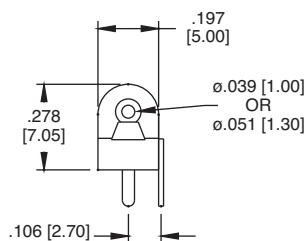


Recommended PCB Layout

ADC-009



ADC-009-3

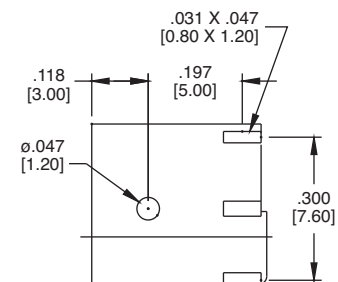
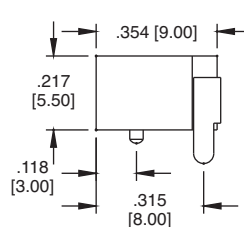
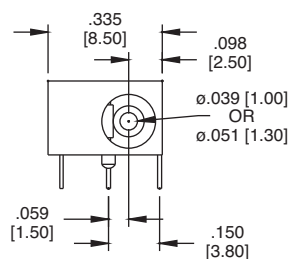


Recommended PCB Layout

ADC-011



ADC-011-3

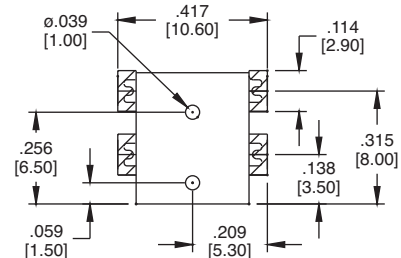
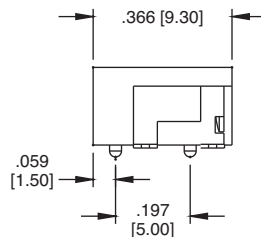
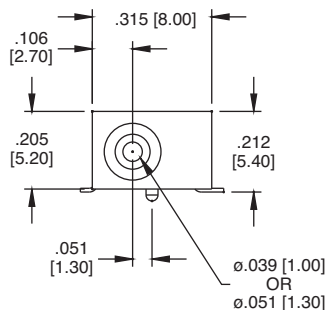


Recommended PCB Layout

ADC-021



ADC-021-3

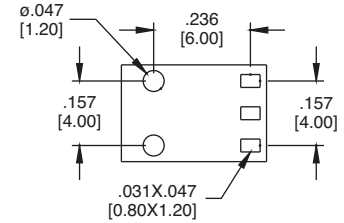
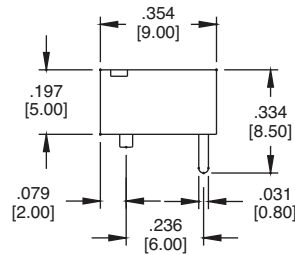
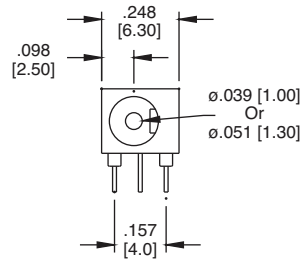


Recommended PCB Layout

ADC-029



ADC-029-1

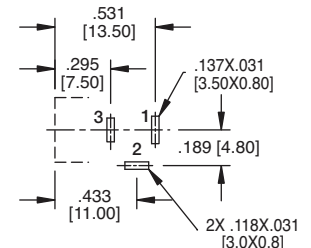
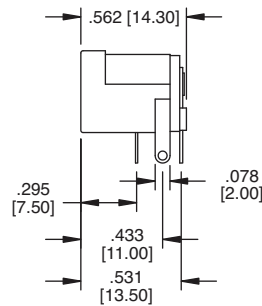
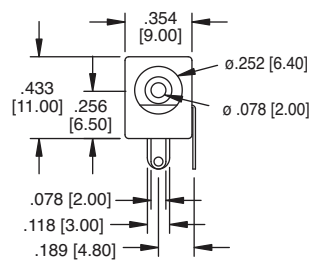


Recommended PCB Layout

ADC-002



ADC-002-2

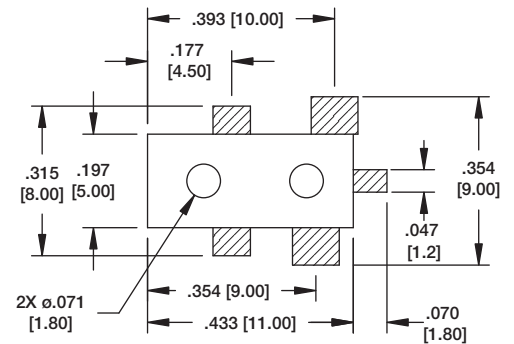
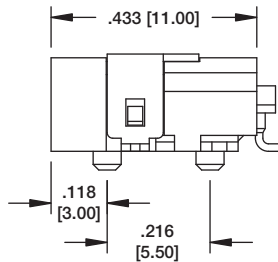
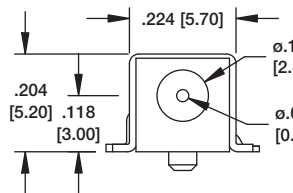


Recommended PCB Layout

ADC-024



ADC-024-8

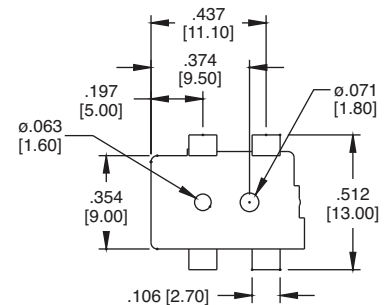
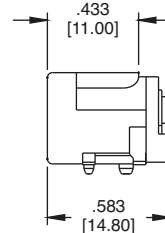
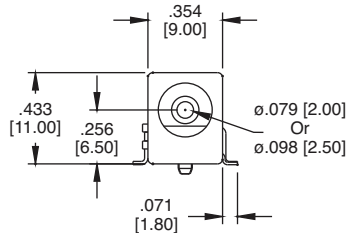


Recommended PCB Layout

ADC-028



ADC-028-2



Recommended PCB Layout

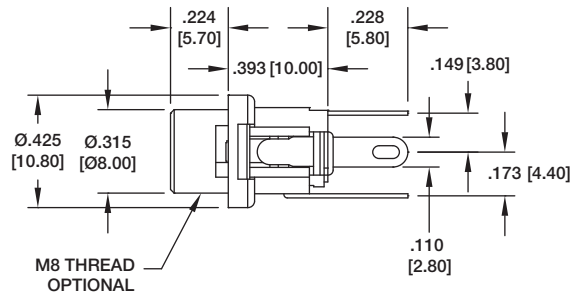
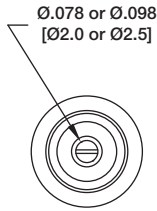
ADC-027



ADC-027



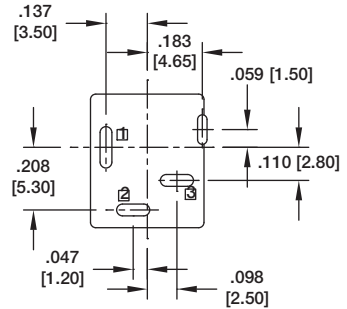
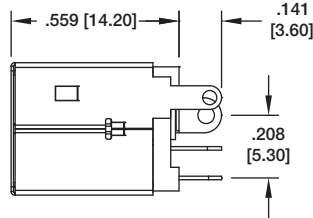
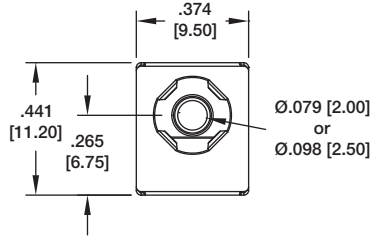
ADC-027-M8



ADC-085



ADC-085-1

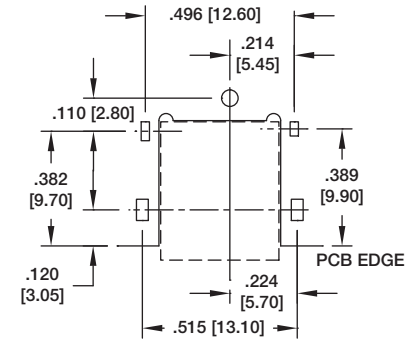
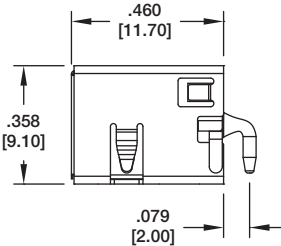
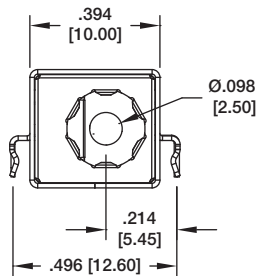


Recommended PCB Layout

ADC-086



ADC-085-2

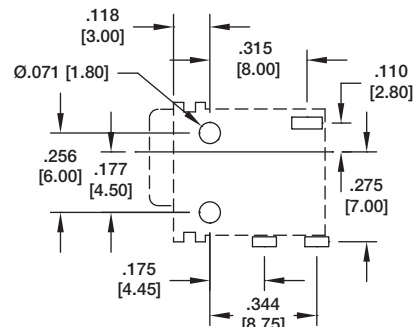
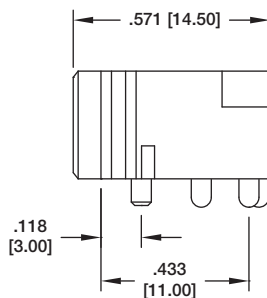
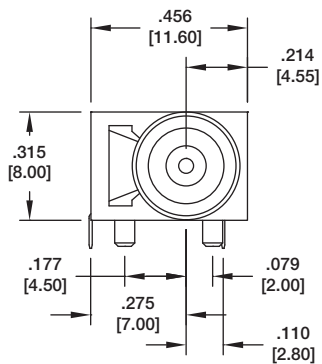


Recommended PCB Layout

ADC-087



ADC-087

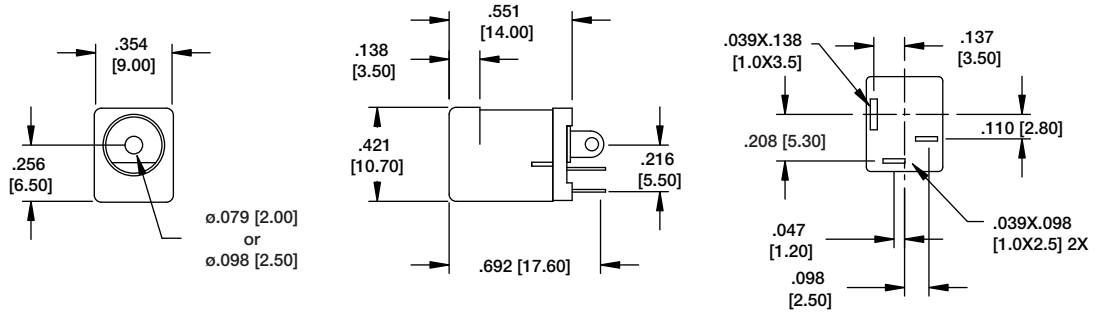


Recommended PCB Layout

ADC-010



ADC-010-1

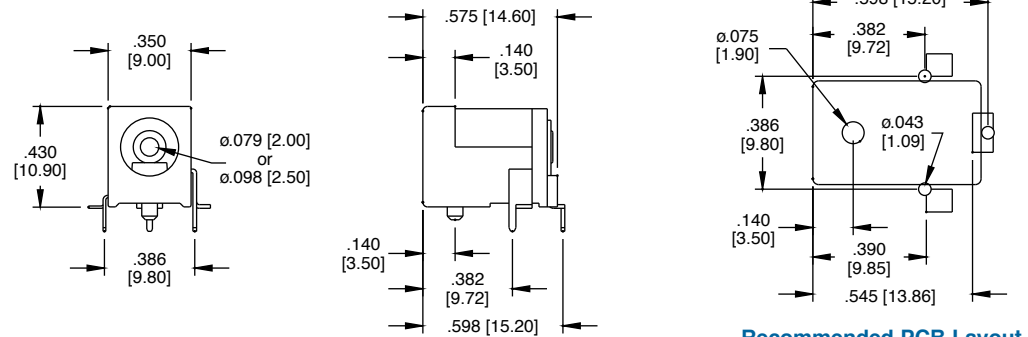


Recommended PCB Layout

ADC-015



ADC-015-2

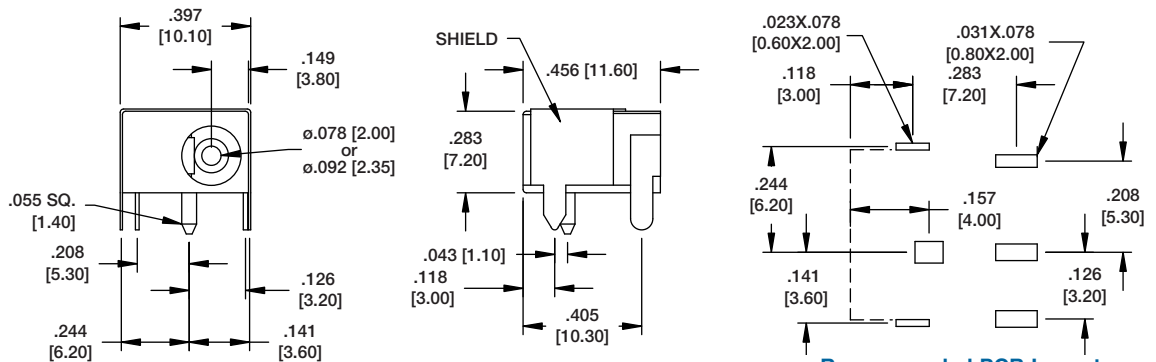


Recommended PCB Layout

ADC-045A

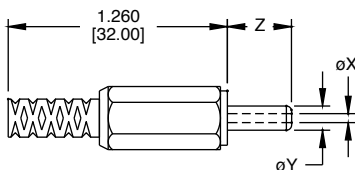


ADC-045A-1

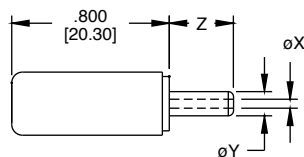


Recommended PCB Layout

ADP-PLUG WITH STRAIN RELIEF



ADP-PLUG WITHOUT STRAIN RELIEF



PLUG WITH STRAIN RELIEF	X	Y	Z
ADP-X/Y/Z-SR	ø.039 [1.00]	ø.137 [3.50]	.374 [9.50]
ADP-X/Y/Z-SR	ø.082 [2.10]	ø.216 [5.50]	.374 [9.50]
ADP-X/Y/Z-SR	ø.098 [2.50]	ø.216 [5.50]	.374 [9.50]

PLUG WITHOUT STRAIN RELIEF	X	Y	Z
ADP-X/Y/Z	ø.039 [1.00]	ø.137 [3.50]	.374 [9.50]
ADP-X/Y/Z	ø.082 [2.10]	ø.216 [5.50]	.374 [9.50]
ADP-X/Y/Z	ø.098 [2.50]	ø.216 [5.50]	.374 [9.50]

Mouser Electronics

Authorized Distributor

Click to View Pricing, Inventory, Delivery & Lifecycle Information:

ADAM TECH:

[ADC-027-1-M8](#) [ADC-002A-1](#) [ADC-002A-2](#) [ADC-003-1](#) [ADC-005-1](#) [ADC-007-3](#) [ADC-007-4](#) [ADC-010-1](#)