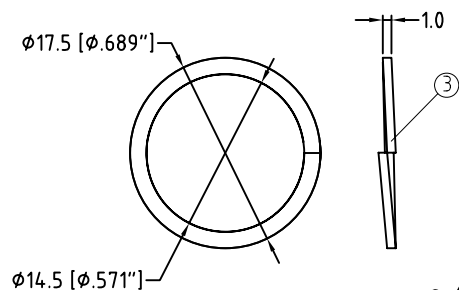
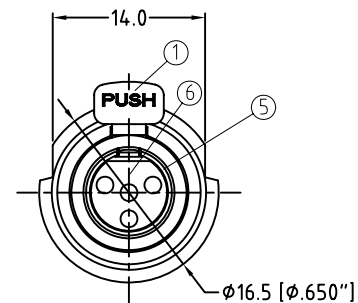
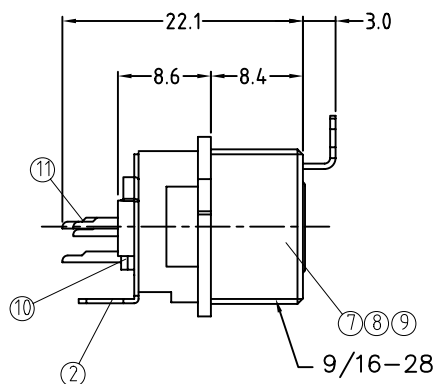
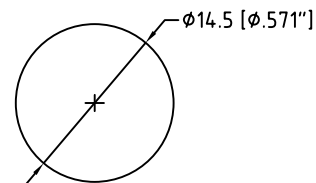
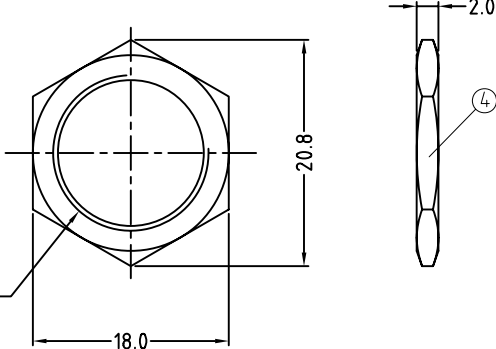


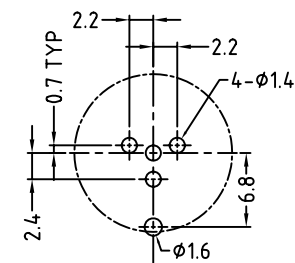
ISO VIEW



9/16-28



+ Panel cutout CL



PCB LAYOUT

11	SOCKET CONTACTS	Brass/Au Plated	4
10	SPRING WASHER	PPS/Black	1
9	SPRING	SUS 304/Ni Plated	1
8	LATCH SPRING	SUS 304/Ni Plated	1
7	MACHINED SHELL	Brass/Ni Plated	1
6	INSULATOR	PPS/Black	1
5	MACHINED SHELL	Brass/Ni Plated	1
4	METAL NUT	Brass/Ni Plated	1
3	SPRING WASHER	SUS 304/Ni Plated	1
2	GROUND CONTACT	Brass/Ni Plated	1
1	PUSH LEVEL	Brass/Ni Plated	1
ITEM	DESCRIPTION	MATERIAL/FINISH	QTY

Specification:

Electrical:

Contact resistance: <0.03 ohm
 Insulation resistance: >500Megaohm
 Dielectric strength: 1000VDC
 Rated current: 5A

Mechanical:

Lifetime: Insert & withdraw >5000 cycle
 Insertion/withdrawal 6lb Max.

UNLESS OTHERWISE SPECIFIED TOLERANCE TO BE		THIS DOCUMENT IS THE PROPERTY OF AMPHENOL AUSTRALIA PTY. LTD. NO PART THEREOF MAY BE REPRODUCED AND USED WITHOUT THE PRIOR WRITTEN CONSENT OF THE OWNER				0	FIRST ISSUE	M.H	09-10-12	----
LINEAR		ANGULAR		CAD FILE: 55010861100110	DRN: M.H	DATE: 09-10-12	TITLE:	Amphenol		
X ± 0.50	X° ± 1°			MATL: MACHINED SHELL	CKD: M.H	DATE: 09-10-12	MINI XLR	Amphenol Australia Pty.Ltd, 2 Fireweys Blvd, Keysborough, Vic3173		
X.X ± 0.25	X*X° ± 30'			DO NOT SCALE	FINISH: NICKEL PLATED	APP'D: P.M	FEMALE RECEPTACLE	DRAWING NO. 55010861-100-1		
X.XX ± 0.10	X*X*X° ± 15'					DATE: 09-10-12	CUSTOMER DWG	SHEET 1 OF 1		
BREAK ALL SHARP EDGES AND REMOVE ALL BURRS				DIMENSIONS IN MILLIMETRES		SCALE: 2:1 UDS	PART No: AG4FCE	SIZE: A3		

Mouser Electronics

Authorized Distributor

Click to View Pricing, Inventory, Delivery & Lifecycle Information:

[Amphenol:](#)

[AG3FCE](#) [AG4FCE](#) [AG5FCE](#) [AG6FCE](#)