

304.25MHz SMD One Port SAW Resonator

ASR304.25A01-SE



RoHS
Compliant



5.0 x 5.0 x 1.5mm

Moisture Sensitivity Level (MSL) – This product is Hermetically Sealed and not Moisture Sensitive - MSL = N/A: Not Applicable

FEATURES:

- Low insertion loss 2.5dB max
- 5.0 x 5.0 x 1.5mm package
- 50Ω impedance termination
- Suitable for RoHS compliant reflow

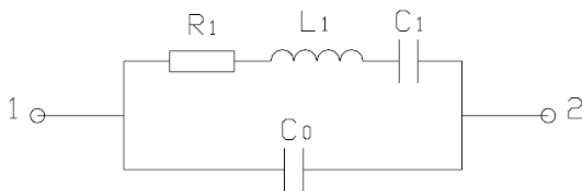
APPLICATIONS:

- Wireless remote controller
- Mobile communication

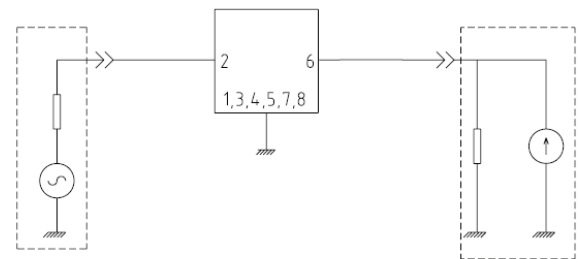
STANDARD SPECIFICATIONS:

Parameters	Minimum	Typical	Maximum	Units	Notes
Center Frequency (f_0)	304.175	304.250	304.325	MHz	418MHz±75kHz
Insertion Loss	-----	1.5	2.5	dB	
Quality Factor	-----	11,000	-----		Unloaded Q
	-----	1,900	-----		50Ω loaded Q
Turnover Temperature	-----	25	-----	°C	
Freq. Temp. Coefficient	-----	0.032	-----	ppm/°C	
Frequency Aging	-----	-----	≤±10	ppm/yr	
DC Insulation Resistance	1.0	-----	-----	MΩ	
Motional Resistance R1	-----	13.6	21	Ω	
Motional Inductance L1	-----	95.2	-----	uH	
Motional Capacitance C1	-----	2.86	-----	fF	
Shunt Static Capacitance C0	2.40	2.70	3.00	pF	
Operation Temperature Range	-40	-----	+85	°C	
Storage Temperature Range	-45	-----	+85	°C	
DC Voltage between terminals	-----	-----	10	Vdc	
CW RF Power Dissipation	-----	-----	0	dBm	

EQUIVALENT LC MODEL



TEST CIRCUIT



304.25MHz SMD One Port SAW Resonator

ASR304.25A01-SE

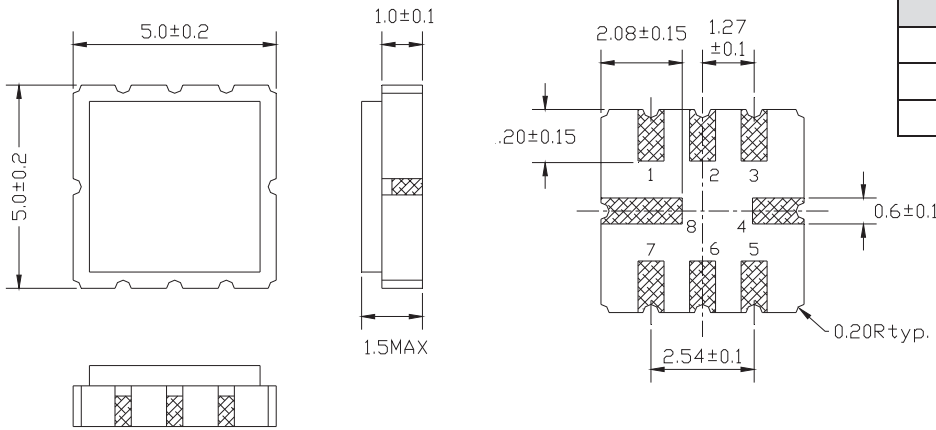


RoHS
Compliant



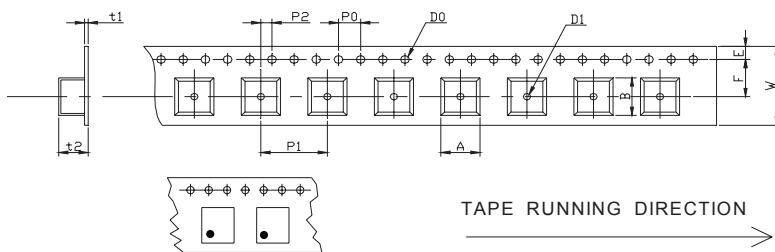
5.0 x 5.0 x 1.5mm

OUTLINE DIMENSIONS:

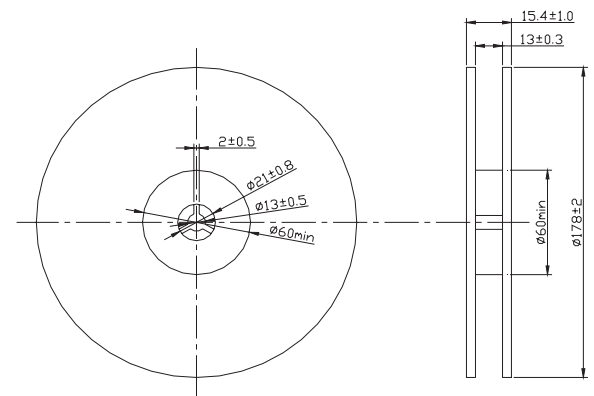


Pin	Configuration
2	Input
6	Output
Other	Case Ground

TAPE AND REEL: 1,000pcs/reel

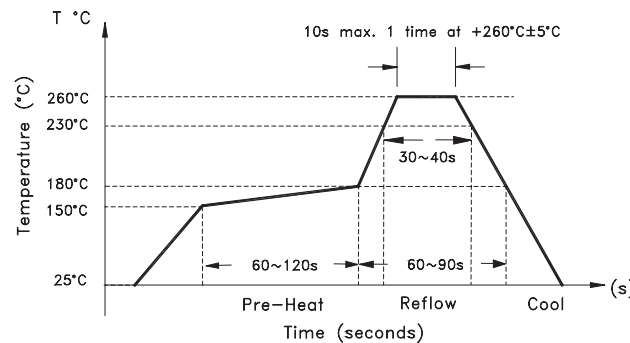


W	F	E	P0	P1	P2	D0	D1	t1	t2	A	B
12.0	5.5	1.75	4.0	8.0	2.0	Φ1.5	Φ1.5	0.31	1.95	5.5	5.5
±0.3	±0.1	±0.1	±0.2	±0.1	±0.2	±0.1	±0.25	max.	max.	max.	max.



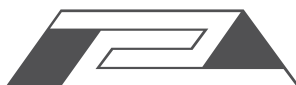
Dimensions: mm

REFLOW PROFILE:



ATTENTION: Abracon Corporation's products are COTS – Commercial-Off-The-Shelf products; suitable for Commercial, Industrial and, where designated, Automotive Applications. Abracon's products are not specifically designed for Military, Aviation, Aerospace, Life-dependant Medical applications or any application requiring high reliability where component failure could result in loss of life and/or property. For applications requiring high reliability and/or presenting an extreme operating environment, written consent and authorization from Abracon Corporation is required. Please contact Abracon Corporation for more information.

ABRACON IS
ISO9001:2008
CERTIFIED



ABRACON
CORPORATION

Visit www.abracon.com for Terms & Conditions of Sale
30332 Esperanza, Rancho Santa Margarita, California 92688
tel 949-546-8000 | fax 949-546-8001 | www.abracon.com

Revised: 09.09.11

Mouser Electronics

Authorized Distributor

Click to View Pricing, Inventory, Delivery & Lifecycle Information:

[ABRACON:](#)

[ASR304.25A01-SE](#)