



FEATURES:

- Ultra Wide Input Range 4:1
- 1600 VDC Isolation
- Efficiency up to 90%
- Soft Start
- Remote On/Off Function
- No Minimum Load Required
- -40°C to +85°C Operating Temperature Range
- Short Circuit & Over Voltage Protection
- DIP 24 Package
- Low No Load Input Current

Models Single output



Model	Input Voltage (V)	Output Voltage (V)	Output Current max (mA)	Isolation (VDC)	Maximum Capacitive load (μF)	Efficiency (%)
AM12TW-2403SZ	9-36	3.3	3500	1600	2000	87
AM12TW-2405SZ	9-36	5.1	2400	1600	2000	89
AM12TW-2412SZ	9-36	12	1000	1600	430	90
AM12TW-2415SZ	9-36	15	800	1600	300	90
AM12TW-4803SZ	18-75	3.3	3500	1600	2000	87
AM12TW-4805SZ	18-75	5.1	2400	1600	2000	89
AM12TW-4812SZ	18-75	12	1000	1600	430	90
AM12TW-4815SZ	18-75	15	800	1600	300	90

Models Dual output

Model	Input Voltage (V)	Output Voltage (V)	Output Current max (mA)	Isolation (VDC)	Maximum Capacitive load (μF)	Efficiency (%)
AM12TW-2405DZ	9-36	±5	±1200	1600	±1250	87
AM12TW-2412DZ	9-36	±12	±500	1600	±200	90
AM12TW-2415DZ	9-36	±15	±400	1600	±120	90
AM12TW-4805DZ	18-75	±5	±1200	1600	±1250	87
AM12TW-4812DZ	18-75	±12	±500	1600	±200	90
AM12TW-4815DZ	18-75	±15	±400	1600	±120	90

Input Specifications

Parameters	Nominal	Typical	Maximum	Units
Voltage range	24 48	9-36 18-75		VDC
Filter	π (Pi) Network			
Turn on Transient process time			250	μs
Transient response deviation			±3	%
Start up time	Nominal Vin and constant resistive load		20	ms
Absolute Maximum Rating	24 Vin models 48 Vin models	-0.7-50 -0.7-100		VDC
Peak Input Voltage time			1000	ms
Input reflected ripple current			20	mA p-p
Quiescent Current		15		mA
On/Off Control	ON – High (3.0 ... 12Vdc) or open circuit; OFF – Low (0 ... 1.2Vdc) or Short circuit pin1 and pin 2/3 OFF idle current: 5.0 mA typ			

Isolation Specifications

Parameters	Conditions	Typical	Rated	Units
Tested I/O voltage	3 sec		1600	VDC
Tested Case/Input and Output		1600		VDC
Resistance		>1000		MOhm
Capacitance		1500		pF

Output Specifications

Parameters	Conditions	Typical	Maximum	Units
Voltage accuracy		±1.2		%
Voltage balance	Dual output	±5		%
Line voltage regulation	HL-LL	±0.2		%
Load voltage regulation (Single)	0% Load to Full Load	±0.5		%
Load voltage regulation (Dual)	0% Load to Full Load	±1.0		%
Over voltage protection		Zener diode clamp		
Over current protection	Full Load	170		%
Short Circuit protection		Continuous		
Short circuit restart		Auto recovery		
Temperature coefficient		±0.02		%/°C
Ripple & Noise		85		m Vp-p

General Specifications

Parameters	Conditions	Typical	Maximum	Units
Switching frequency	100% load	270		KHz
Operating temperature	Full Load with derating above 60°C	-40 to +85		°C
Storage temperature		-40 to +125		°C
Max Case temperature			105	°C
Derating	Above 60°C	2.5 % per 1°C		
Cooling		Free air convection		
Humidity			95	% RH
Case material		Nickel-coated Copper		
Weight		18.0		g
Dimensions (L x W x H)	Tolerance ±0.5 mm or ±0.02 inches	1.25 x 0.8 x 0.40 inches	31.75 x 20.32 x 10.16 mm	
MTBF		>1 000 000 hrs (MIL-HDBK -217F, Ground Benign, t _v +25°C)		

NOTE: All specifications in this datasheet are measured at an ambient temperature of 25°C, humidity<75%, nominal input voltage and at rated output load unless otherwise specified

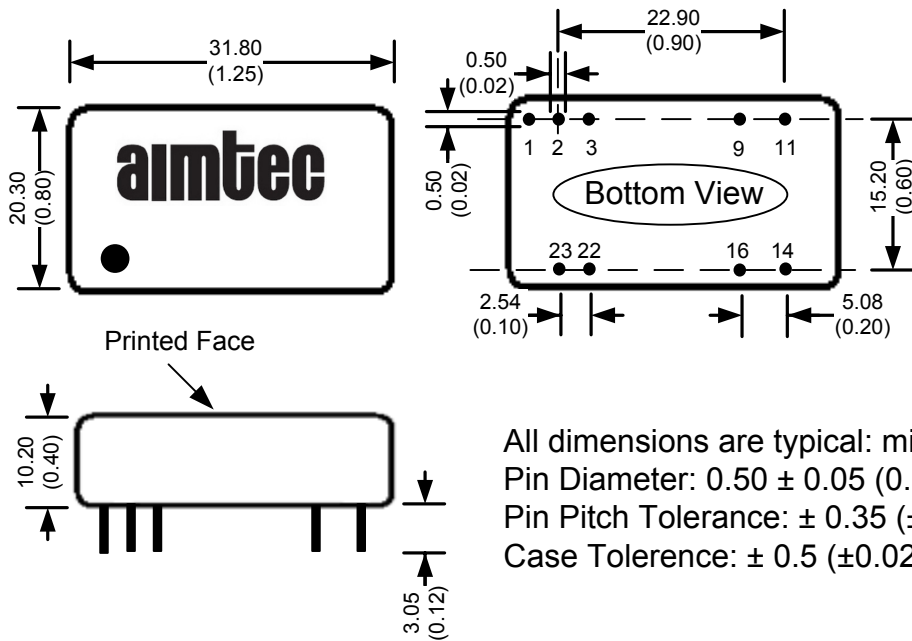
Safety Specifications

Parameters	
Agency Approval	CE
Standards	EN55022 Class A, EN55024
	IEC61000-4-2, Perf. Criteria B
	IEC61000-4-3, Perf. Criteria A
	IEC61000-4-4, Perf. Criteria B (external 330uF/100V cap required)
	IEC61000-4-5, Perf. Criteria B (external 330uF/100V cap required)
	IEC61000-4-6, Perf. Criteria A
	IEC61000-4-8, Perf. Criteria A
	Note: also meets IEC 60950-1:2001

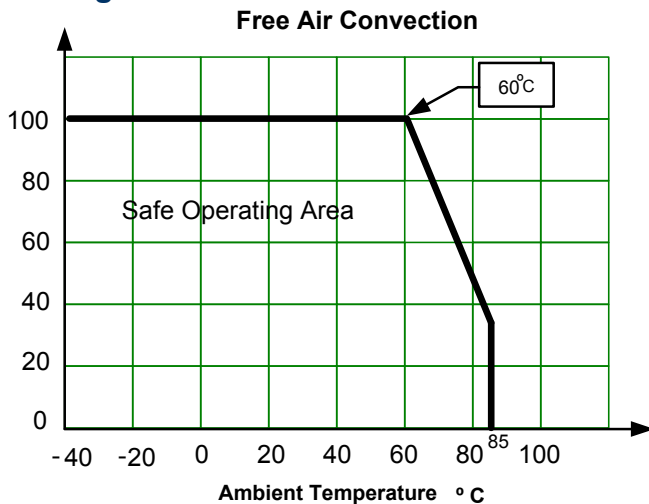
Pin Out Specifications

Pin	Single	Dual
1	Remote On/Off	Remote On/Off
2	-V Input	-V Input
3	-V Input	-V Input
9	No Pin	Common
11	N.C	-V Output
14	+V Output	+V Output
16	-V Output	Common
22	+V Input	+V Input
23	+V Input	+V Input

Dimensions

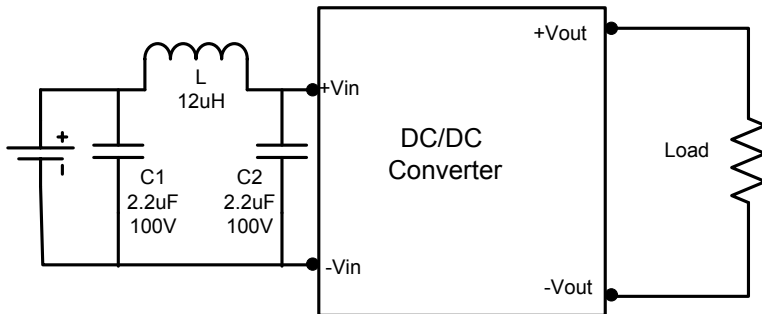


Derating

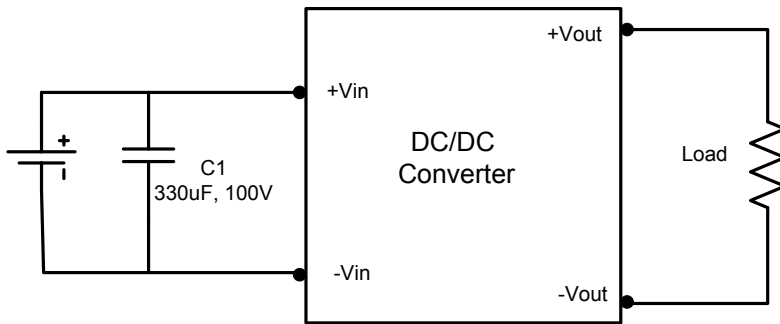


Test Circuits

Conducted Emmissions :



Surge:



NOTE: **1.** Datasheets are updated as needed and as such, specifications are subject to change without notice. Once printed or downloaded, datasheets are no longer controlled by Aimtec; refer to www.aimtec.com for the most current product specifications. **2.** Product labels shown, including safety agency certifications on labels, may vary based on the date manufactured. **3.** Mechanical drawings and specifications are for reference only. **4.** All specifications are measured at an ambient temperature of 25°C, humidity<75%, nominal input voltage and at rated output load unless otherwise specified. **5.** Aimtec may not have conducted destructive testing or chemical analysis on all internal components and chemicals at the time of publishing this document. CAS numbers and other limited information are considered proprietary and may not be available for release. **6.** This product is not designed for use in critical life support systems, equipment used in hazardous environments, nuclear control systems or other such applications which necessitate specific safety and regulatory standards other the ones listed in this datasheet. **7.** Warranty is in accordance with Aimtec's standard Terms of Sale available at www.aimtec.com.