

A4E330-AP18-01

AC axial fan

sickled blades (S series)



ebm-papst Mulfingen GmbH & Co. KG
Bachmühle 2
D-74673 Mulfingen
Phone +49 7938 81-0
Fax +49 7938 81-110
info1@de.ebmpapst.com
www.ebmpapst.com

Nominal data

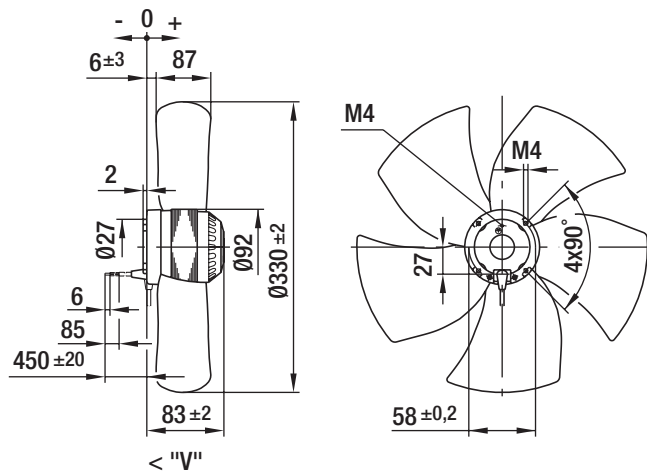
Type	A4E330-AP18-01		
Motor	M4E068-DF		
Phase		1~	1~
Nominal voltage	VAC	230	230
Frequency	Hz	50	60
Type of data definition		rfa	rfa
Valid for approval / standard		CE	CE
Speed	min ⁻¹	1390	1600
Power input	W	120	140
Current draw	A	0.57	0.61
Motor capacitor	µF	4	4
Capacitor voltage	VDB	400	400
Max. back pressure	Pa	90	75
Max. ambient temperature	°C	40	40

ml = max. load · me = max. efficiency · rfa = running at free air · cs = customer specs · cu = customer unit
Subject to alterations

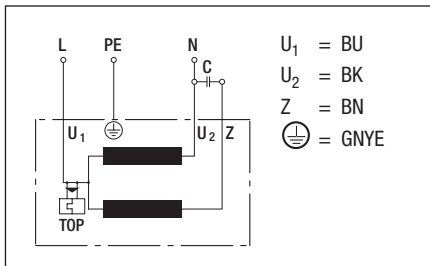
Technical features

Leakage current	< 0.75 mA
Size	330 mm
Operation mode	Continuous operation (S1)
Direction of rotation	Counter-clockwise, seen on rotor
Humidity class	F1-2
Direction of air flow	"V"
Insulation class	"B"
Cable exit	Axial
Motor bearing	Ball bearing
Mass	2.5 kg
Material of electronics housing	Rotor: Coated in black
Material of impeller	Sheet steel, coated in black
Motor protection	Thermal overload protector (TOP) wired internally
Product conforming to standard	CE
Number of blades	5
Type of protection	IP 44
Protection class	I
Approval	CCC

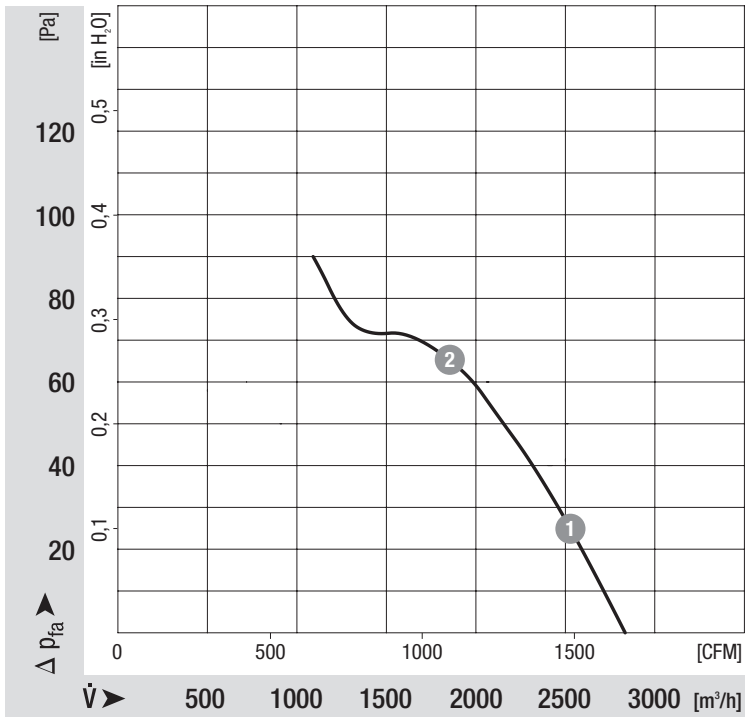
Product drawing



Connection screen



Charts: Air flow 50 Hz



Measured values

	n	P _e	I
	min ⁻¹	W	A
1	1375	122	0.58
2	1325	140	0.64

Charts: Air flow 60 Hz

