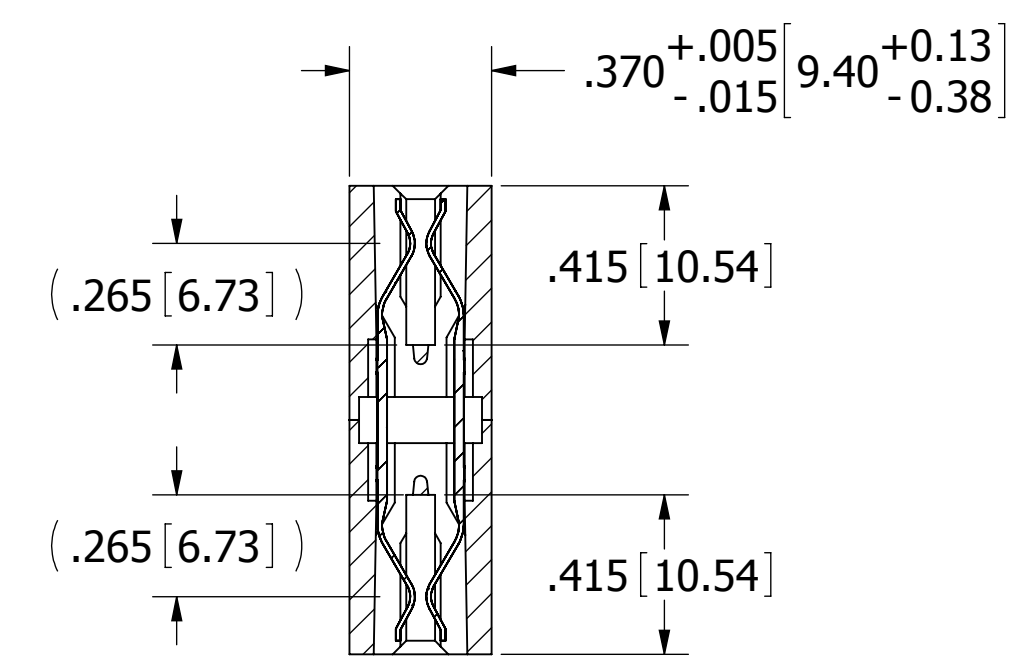
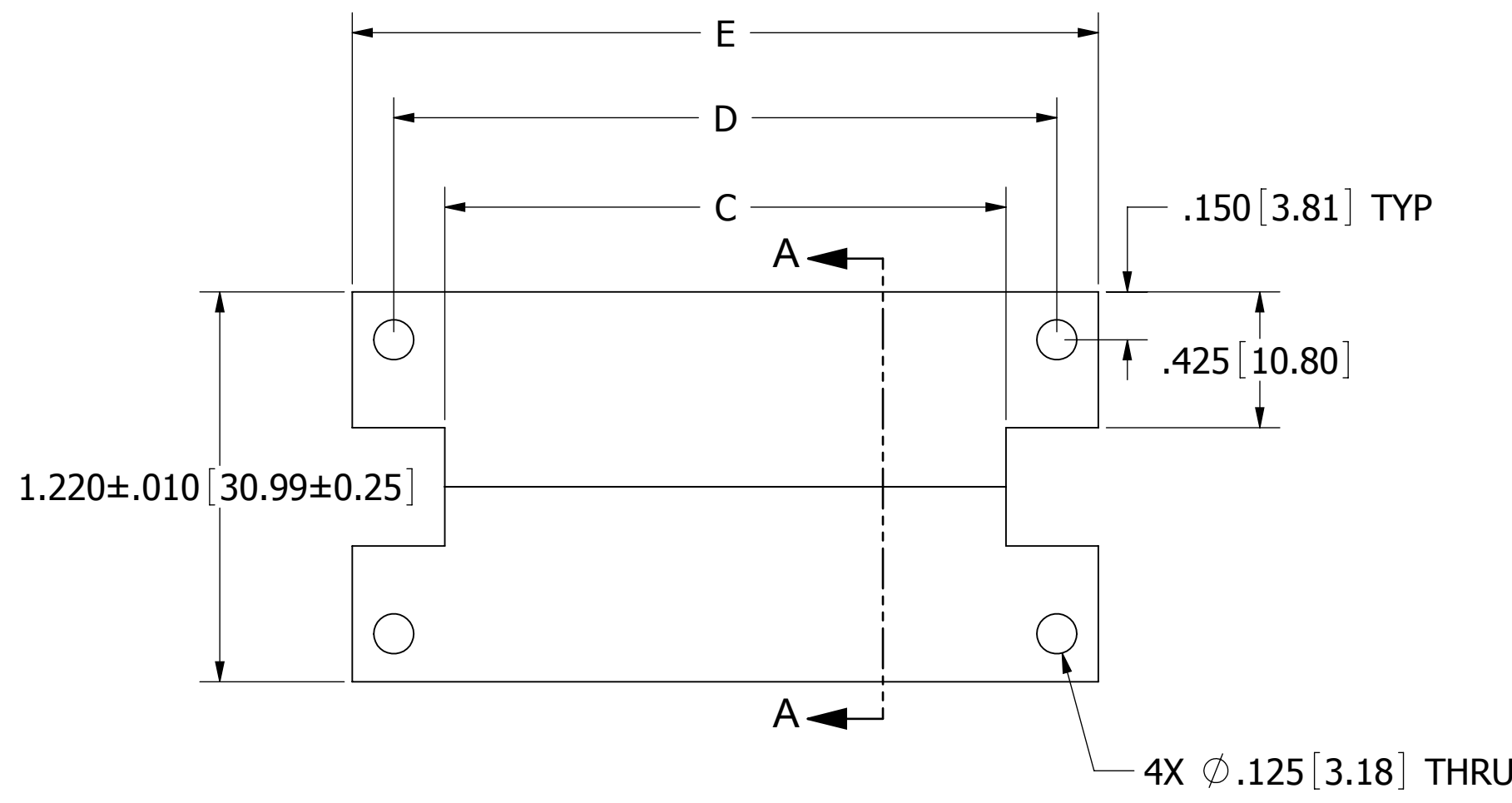
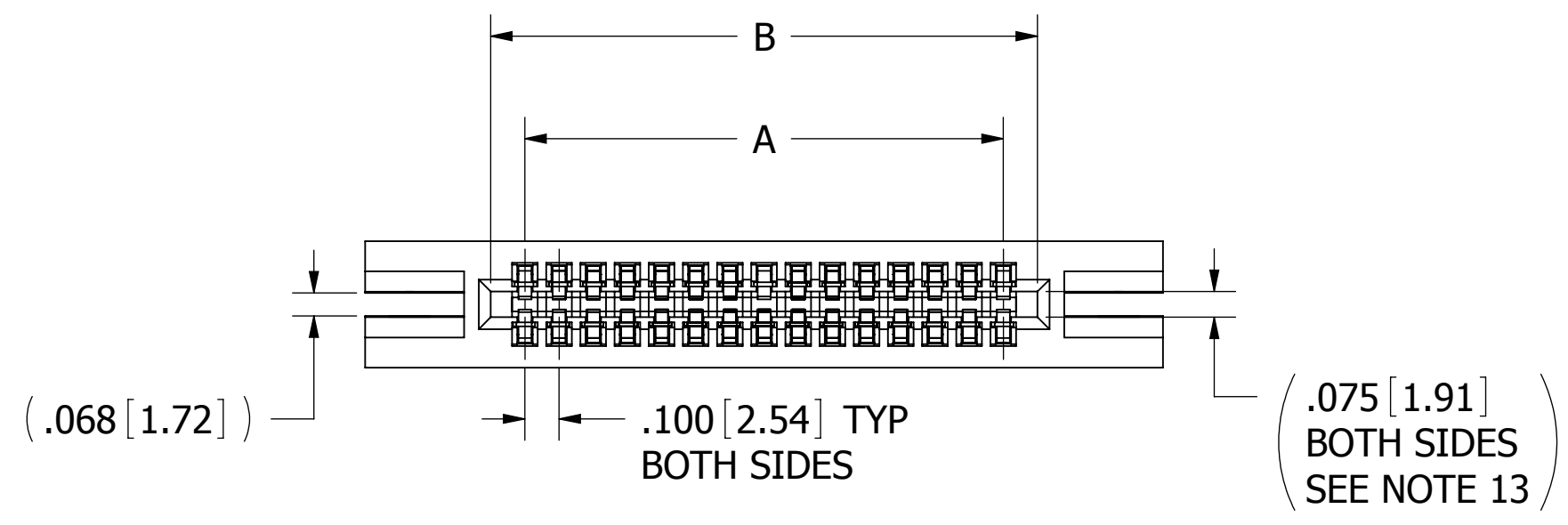
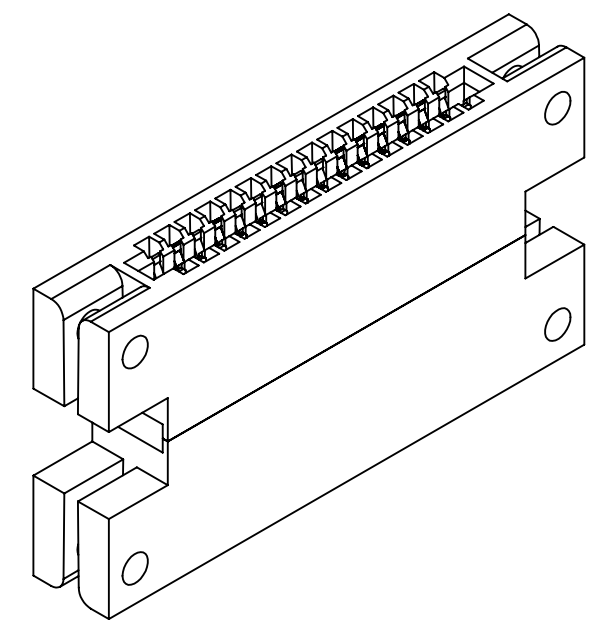
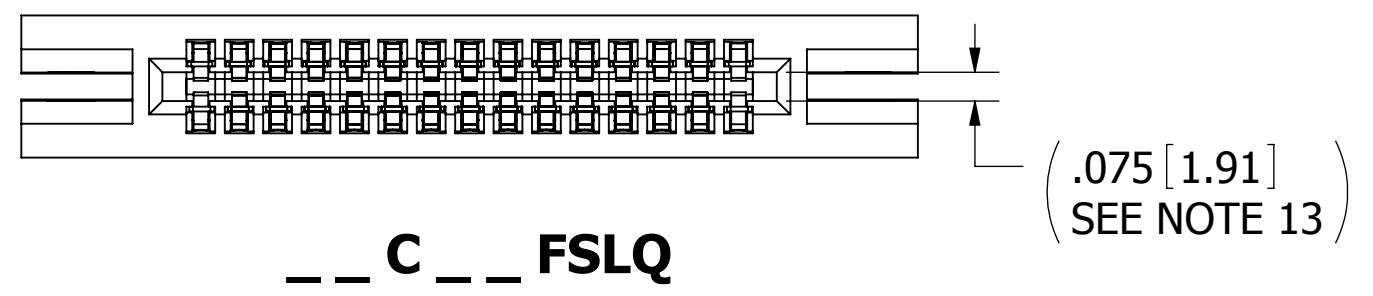


REVISIONS				
REV.	ECO. NO	DESCRIPTION	DATE	BY
A	2181	INITIAL RELEASE	3/14/2011	TT/JH
B	2913	ADD 'Z' MOUNTING STYLE, UPDATE DWG FORMAT	2/5/2014	JHSU

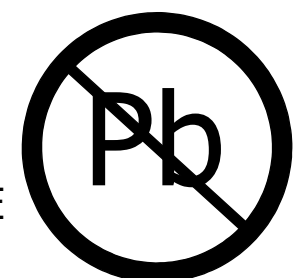


**SECTION A-A**



**NOTES:**

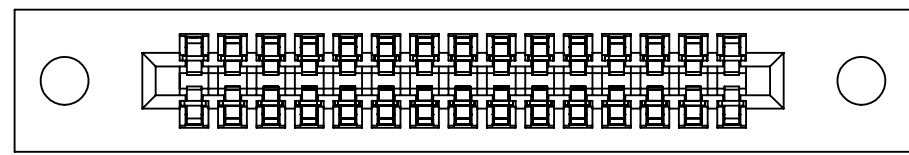
1. INSULATOR MATERIAL: SEE PART NUMBER CODING
2. CONTACT MATERIAL: SEE PART NUMBER CODING
3. PLATING: SEE PART NUMBER CODING
4. OPERATING TEMPERATURE: SEE PART NUMBER CODING
5. PROCESSING TEMP: SEE PART NUMBER CODING
6. UL FLAMMABILITY RATING: 94V-0
7. OPERATING VOLTAGE: 750 VAC MINIMUM AT SEA LEVEL
8. CURRENT RATING: 3 AMP
9. CONTACT RESISTANCE: 30 MILLI OHMS MAX
10. INSULATION RESISTANCE: 5000 MEGA OHMS
11. DURABILITY: 500 CYCLES MIN
12. CONNECTOR IDENTIFICATION: THE PART SHALL BE MARKED WITH A PART NUMBER AND LOT CODE
13. BOARD THICKNESS ACCOMMODATED: .062 ± .008 [1.57 ± 0.20]
14. INSERTION FORCE: 8 OZ MAX PER CONTACT PAIR WHEN USING A .062 [1.57] TEST BLADE
15. WITHDRAWAL FORCE: 1 OZ MIN PER CONTACT PAIR USING .062 [1.57] PCB



**RoHS COMPLIANT**

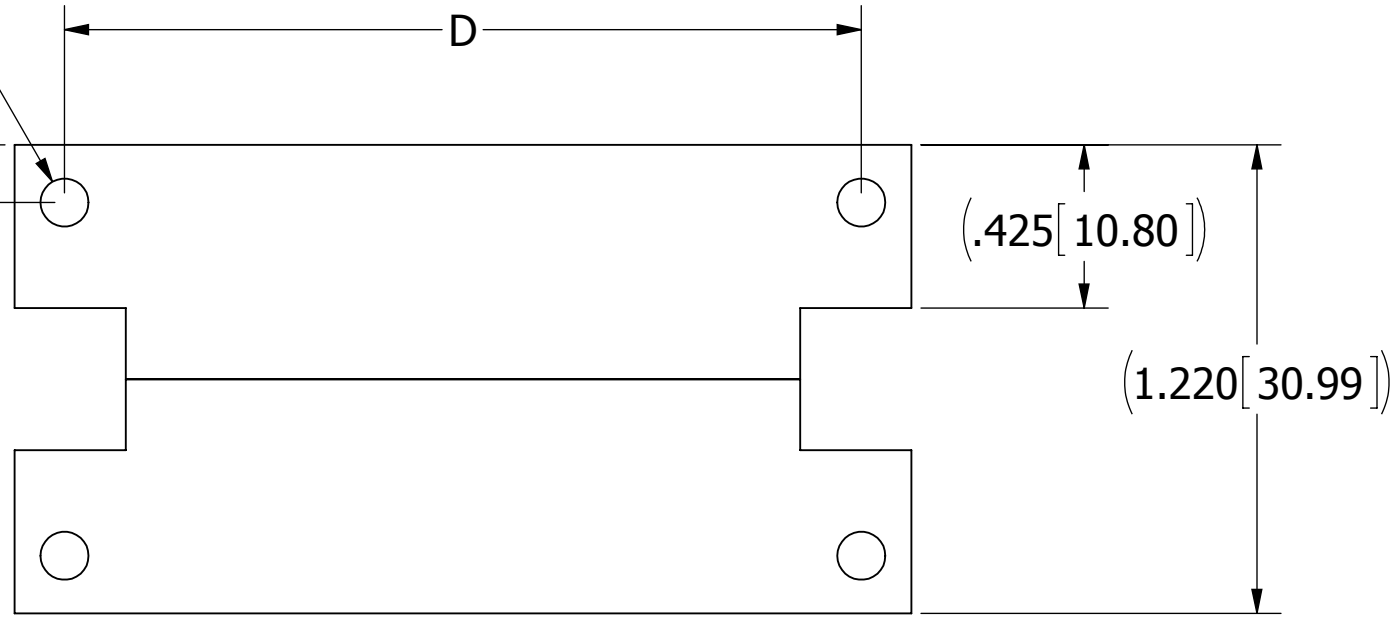
**CUSTOMER COPY**

UNLESS OTHERWISE SPECIFIED: DIMENSIONS ARE IN INCHES [MM]	DRAWN	DATE	NAME	
		2/3/2014	JHSU	
TOLERANCES: ANGULAR: ± 30' .XX=± .02 [5] .XXX=± .005 [13] .XXXX=± .0005 [013]	THE INFORMATION HEREIN CONTAINS PROPRIETARY INFORMATION OF SULLINS ELECTRONICS AND IS NOT TO BE REPRODUCED, USED OR DISCLOSED TO OTHERS FOR ANY PURPOSE EXCEPT AS SPECIFICALLY AUTHORIZED IN WRITING BY AN OFFICER OF SULLINS ELECTRONICS.			TITLE
	INTERPRET DIMENSIONS AND TOLERANCING PER: ASME Y14.5M-2009			DUAL-EDGE .100" PITCH CONNECTOR
PART NUMBER				REV
--- C --- FSL ---				B
SIZE	CAGE CODE	DWG. NO.	REV	
C	54453	C10823	B	
SCALE: 2:1		SHEET 1 OF 3		

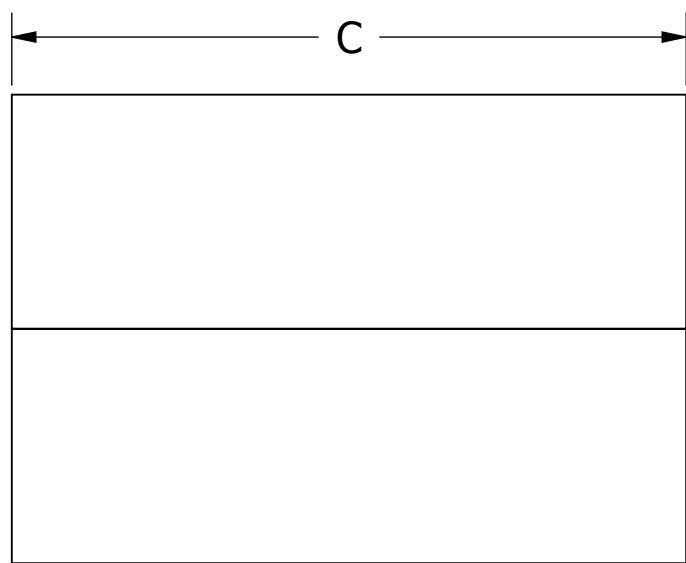
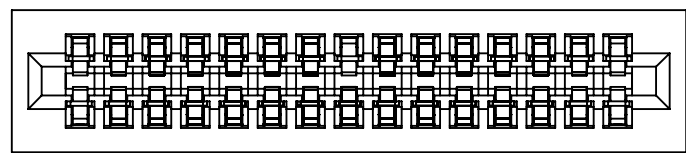


4X  $\phi$ .125 [3.18] THRU

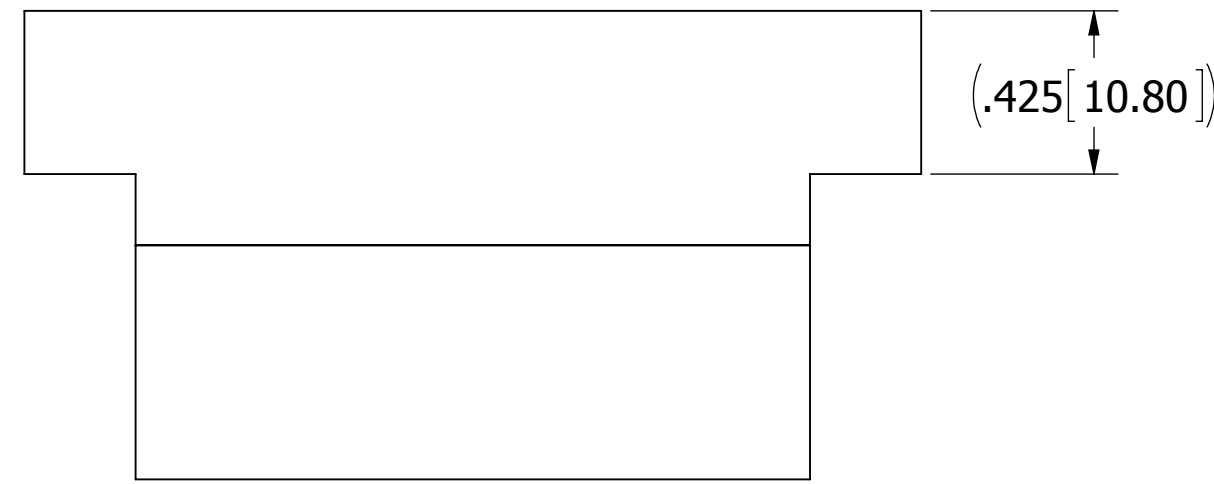
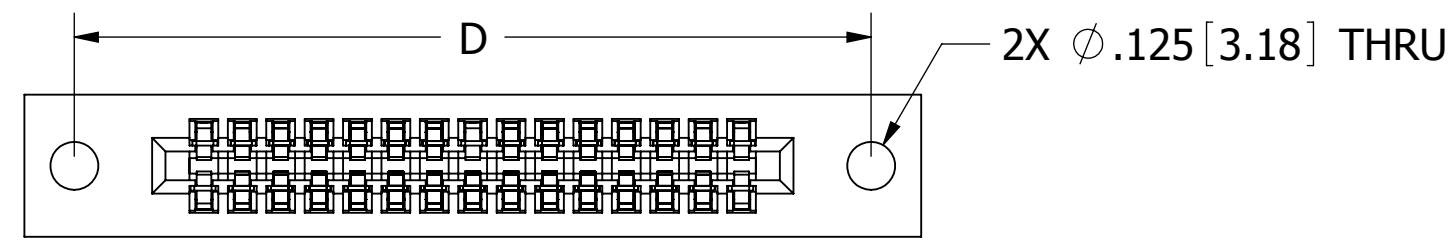
.150 [3.81] TYP



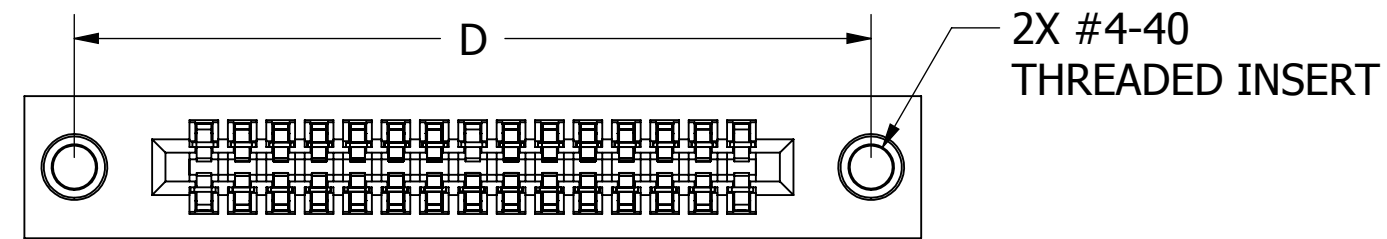
**\_\_ C \_\_ FSLZ**



**\_\_ C \_\_ FSLN**

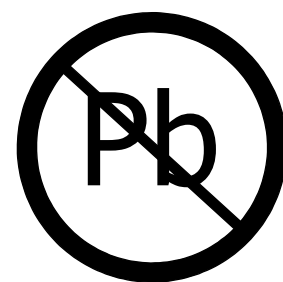


**\_\_ C \_\_ FSLD**



**\_\_ C \_\_ FSLI**

# CUSTOMER COPY



RoHS COMPLIANT

UNLESS OTHERWISE SPECIFIED: DIMENSIONS ARE IN INCHES [MM]	DRAWN	DATE	NAME	
		2/3/2014	JHSU	
TOLERANCES: ANGULAR: $\pm 30'$ .XX = $\pm .02$ [.5] .XXX = $\pm .005$ [.13] .XXXX = $\pm .0005$ [.013]	<small>THE INFORMATION HEREIN CONTAINS PROPRIETARY INFORMATION OF SULLINS ELECTRONICS AND IS NOT TO BE REPRODUCED, USED OR DISCLOSED TO OTHERS FOR ANY PURPOSE EXCEPT AS SPECIFICALLY AUTHORIZED IN WRITING BY AN OFFICER OF SULLINS ELECTRONICS.</small>			TITLE
	INTERPRET DIMENSIONS AND TOLERANCING PER: ASME Y14.5M-2009			DUAL-EDGE .100" PITCH CONNECTOR
	SIZE	CAGE CODE	DWG. NO.	REV
	C	54453	C10823	B
	SCALE: 2:1	SHEET 2 OF 3		

