

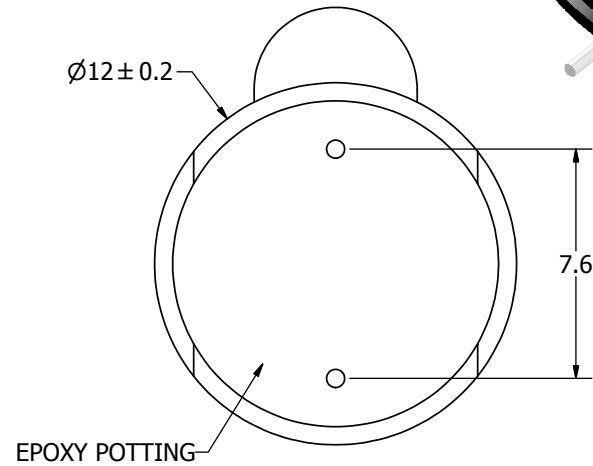
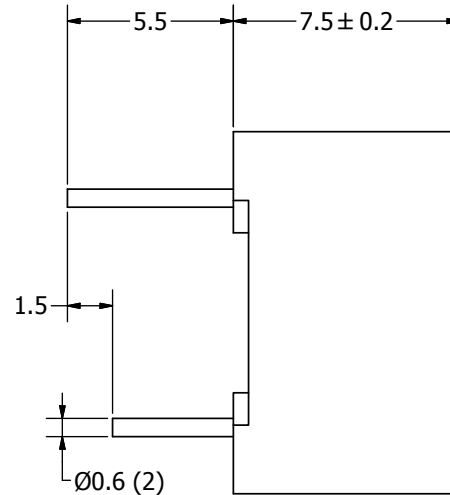
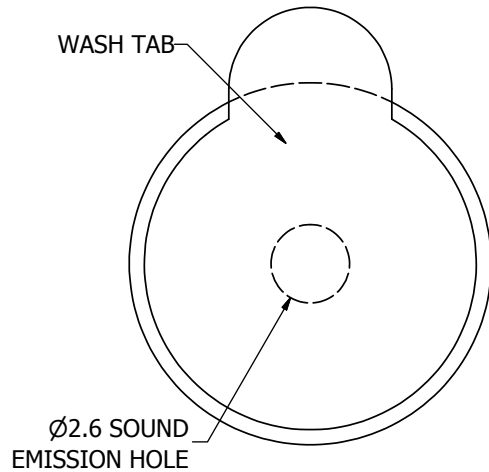
SPECIFICATIONS

| PARAMETERS | VALUES | UNITS |
|-------------------------|---------------------|--------------|
| RATED VOLTAGE | 1.5 | Vdc |
| OPERATING VOLTAGE RANGE | 1.2 ~ 3 | Vdc |
| RATED CURRENT (MAX) | 25 | mA |
| MINIMUM SPL @ 10 CM | 80 | dBA |
| RESONANT FREQUENCY | 2,300 ± 500 | Hz |
| TONE OR PULSE RATE | CONTINUOUS | 0 pulse /sec |
| OPERATING TEMPERATURE | -25 ~ +70 | °C |
| STORAGE TEMPERATURE | -30 ~ +80 | °C |
| HOUSING MATERIAL | NORYL | - |
| TERMINAL MATERIAL | Sn PLATED COPPER | - |
| WEIGHT | 2 | grams |

THIS DOCUMENT CONTAINS DATA PROPRIETARY TO PROJECTS UNLIMITED, INC. ANY USE OR REPRODUCTION, IN ANY FORM, WITHOUT PRIOR WRITTEN PERMISSION OF PROJECTS UNLIMITED, INC. IS PROHIBITED.
©2003, Projects Unlimited Inc.

REVISION HISTORY

| LTR | DESCRIPTION | DATE | APPROVED |
|-----|--|------------|----------|
| - | RELEASED FROM ENGINEERING | 3/22/2006 | |
| A | REVISED TO INVENTOR 3-D DRAWING TEMPLATE | 11/12/2007 | B.R. |



NOTES:

1. ALL DIMENSIONS ARE IN MILLIMETERS.
2. SPECIFICATIONS SUBJECT TO CHANGE OR WITHDRAWAL WITHOUT NOTICE.
3. THIS PART IS RoHS 2002/95/EC COMPLIANT.

| | | | | | | | | |
|--|-------------------|-------------|-----------|------------|-----------|------------------------|-----------|------------|
| UNLESS OTHERWISE SPECIFIED: DIMENSIONS ARE IN MILLIMETERS, TOLERANCES ARE ±0.5 AND ANGLES ARE ±3°. | SIZE A3 | Designed by | Date | Checked by | Date | Approved by | Date | Drawn Date |
| | | T.G. | 3/22/2006 | B.R. | 3/22/2006 | E.P. | 3/22/2006 | 11/12/2007 |
| AI-1223-TWT-2-R.idw | | | | | | AI-1223-TWT-2-R | | |
| | | | | | | Indicator | | Edition |
| | | | | - | | 1 / 1 | | |

Mouser Electronics

Authorized Distributor

Click to View Pricing, Inventory, Delivery & Lifecycle Information:

[PUI Audio:](#)

[AI-1223-TWT-2-R](#)