

HINGE-COVER, SMALL, TYPE 3R

INDUSTRY STANDARDS

 UL 50, 50E Listed; Type 3R; File No. E27567
 cUL Listed per CSA C22.2 No 94; Type 3R File No. E27567

 NEMA/EEMAC Type 3R
 IEC 60529, IP32

Standard Product

| Catalog Number | AxBxC in./mm | Panel | Perforated Panel | Panel Size D x E in./mm | Mounting G in./mm | Overall L x W in./mm | Knockout Pattern |
|----------------|------------------------------------------|---------|------------------|----------------------------|-------------------|----------------------------|------------------|
| A6R44HCR | 6.00 x 4.00 x 4.00 152 x 102 x 102 | A6N4P | A6N4PP | 4.25 x 2.25 108 x 57 | 7.00 178 | 8.00 x 4.81 203 x 122 | B-C-D |
| A6R64HCR | 6.00 x 6.00 x 4.00 152 x 152 x 102 | A6N6P | A6N6PP | 4.25 x 4.25 108 x 108 | 7.00 178 | 8.00 x 6.81 203 x 173 | B-C-D |
| A8R64HCR | 8.00 x 6.00 x 4.00 203 x 152 x 102 | A8N6P | A8N6PP | 6.25 x 4.25 159 x 108 | 9.00 229 | 10.00 x 6.81 254 x 173 | B-C-D |
| A8R86HCR | 8.00 x 8.00 x 6.00 203 x 203 x 152 | A8N8P | A8N8PP | 6.25 x 6.25 159 x 159 | 9.00 229 | 10.00 x 8.81 254 x 224 | F-G-H-I |
| A10R86HCR | 10.00 x 8.00 x 6.00 254 x 203 x 152 | A10N8P | A10N8PP | 8.25 x 6.25 210 x 159 | 11.0 279 | 12.00 x 8.81 305 x 224 | F-G-H-I |
| A12R106HCR | 12.00 x 10.00 x 6.00 305 x 254 x 152 | A12N10P | A12N10PP | 10.25 x 8.25 260 x 210 | 13.0 330 | 14.00 x 10.81 356 x 275 | C-D-E-F-G |
| A12R126HCR | 12.00 x 12.00 x 6.00 305 x 305 x 152 | A12N12P | A12N12PP | 10.25 x 10.25 260 x 260 | 13.0 330 | 14.00 x 12.81 356 x 325 | C-D-E-F-G |
| A12R1210HCR | 12.00 x 12.00 x 10.00 305 x 305 x 254 | A12N12P | A12N12PP | 10.25 x 10.25 260 x 260 | 13.00 330 | 14.00 x 12.81 356 x 325 | C-D-E-F-G |

Purchase panels separately.

Purchase perforated panels separately.

APPLICATION

These enclosures have a size range of 6 x 4 x 4-in. to 12 x 12 x 10-in. and meet basic functionality requirements for applications that require protection from rain, sleet, snow or dripping water.

FEATURES

- Drip-shield top and seam-free sides, front and back
- Plated steel hinge has stainless steel pin
- Weldnuts provided for mounting optional panels
- Provisions for padlocking on zinc-plated draw-pull catch
- Knockouts on bottom of enclosure
- No gasketing

SPECIFICATIONS

- 16 gauge galvanized steel

FINISH

ANSI 61 gray polyester powder paint finish inside and out over galvanized steel. Optional solid panels are white and optional perforated panels are gray.

ACCESSORIES

 See also *Accessories*.

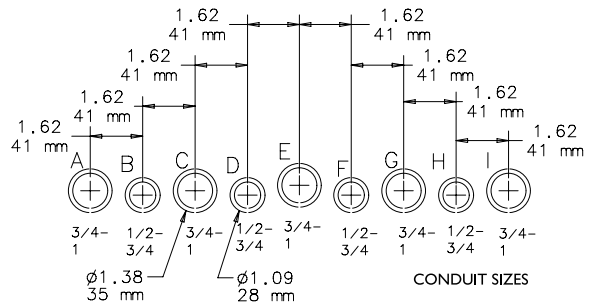
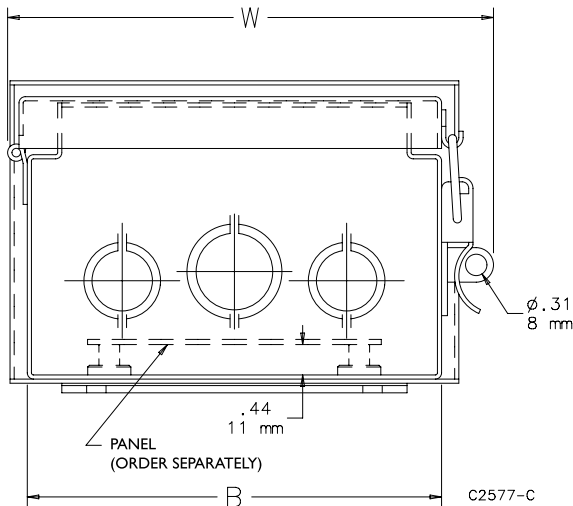
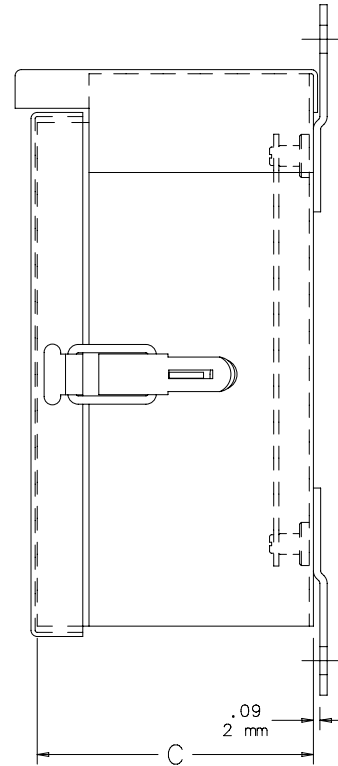
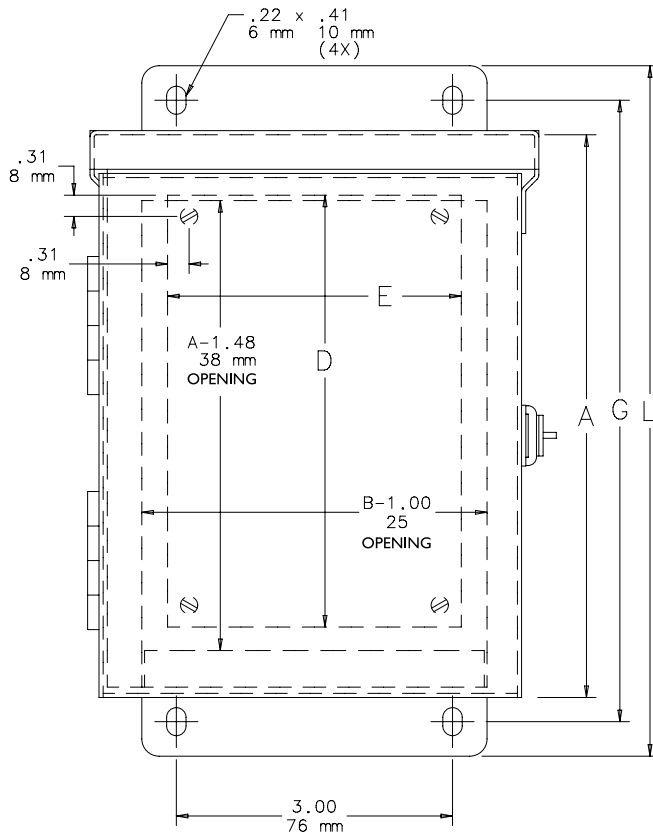
Industrial Corrosion Inhibitors

Grounding Device

Panels for Type 1 Enclosures and Small Type 3R Enclosures

Touch-Up Paint

BULLETIN: A3SM



Knockout Pattern
(from outside of box)

NOTE: Refer to table for applicable knockout pattern.