

THIS DOCUMENT CONTAINS DATA PROPRIETARY TO PROJECTS UNLIMITED, INC. ANY USE OR REPRODUCTION, IN ANY FORM, WITHOUT PRIOR WRITTEN PERMISSION OF PROJECTS UNLIMITED, INC. IS PROHIBITED.

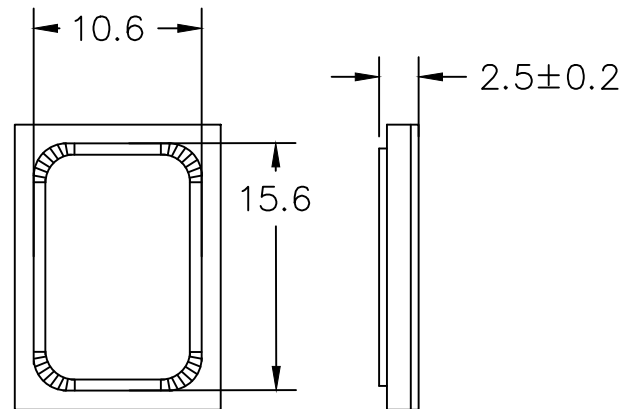
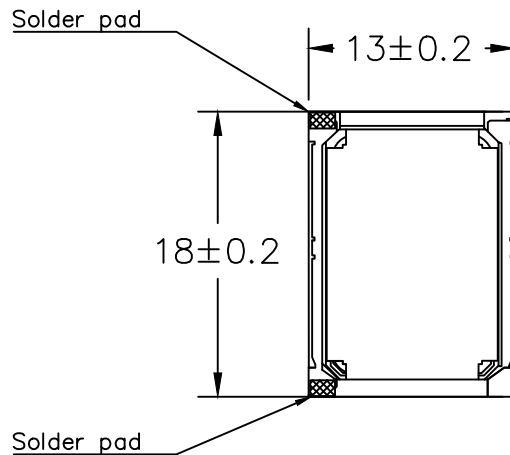
© 2005, Projects Unlimited Inc.

SPECIFICATIONS

PARAMETERS	VALUES	UNITS
RATED INPUT POWER	1.0	W
MAX INPUT POWER	1.2	W
IMPEDANCE	8±15%	OHM
OUTPUT SPL @ 1W/0.1M (0.8, 1, 1.2, 1.5 kHz AVG.)	94±3	dB
DISTORTION (MAX. 2.83V/1m @ 2 kHz)	5%	—
RESONANT FREQUENCY	320±20%	Hz
FREQUENCY RANGE	Fo ~ 14,000	Hz
HOUSING MATERIAL	ABS	—
CONE MATERIAL	ALUMINUM CAP MYLAR	—
MAGNET MATERIAL	NdFeB	—
OPERATING TEMPERATURE	-25 ~ +60	°C
WEIGHT	2	grams

REVISIONS


LTR	DESCRIPTION	DATE	APPROVED
—	RELEASED FROM ENGINEERING	9/22/15	



NOTES:

1. ALL DIMENSIONS ARE IN MILLIMETERS.
2. SPECIFICATION SUBJECT TO CHANGE OR WITHDRAWAL WITHOUT NOTICE.
3. THIS PART IS RoHS 2011/65/EU COMPLIANT.
4. THE FACE OF THIS PART CONFORMS TO IP65 WATERPROOF STANDARDS

FILE NAME
AS01808AO-WP-R.DWG

<small>UNLESS OTHERWISE SPECIFIED: ALL PURCHASES ARE SUBJECT TO THE PUI AUDIO TERMS AND CONDITIONS SALE FOUND AT http://www.puiaudio.com/pdf/terms_conditions.pdf (paper copy available upon request). DIMENSIONS ARE IN MILLIMETERS.TOLERANCES ARE ±0.5 AND ANGLES ARE ±3°.</small>		 <p>pui audio inc a projects unlimited company</p>	<p>3541 Stop Eight Road Dayton, Ohio 45414</p>
<p>APPROVALS</p> <p>DRAWN <i>M. V.</i></p> <p>CHECKED <i>M. V.</i></p> <p>APPROVED <i>B. R.</i></p>	<p>DATE</p> <p>9/15</p> <p>9/15</p> <p>9/15</p>		
<p>SIZE</p> <p>A</p>		<p>SPEAKER</p> <p>DRAWING NO. AS01808AO-WP-R</p>	
<p>SCALE: N.T.S.</p>		<p>SHEET 1 OF 1</p>	