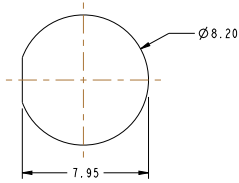
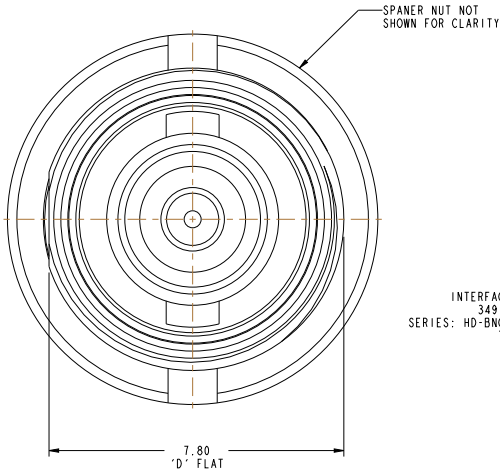
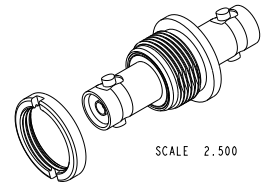


NOTES:

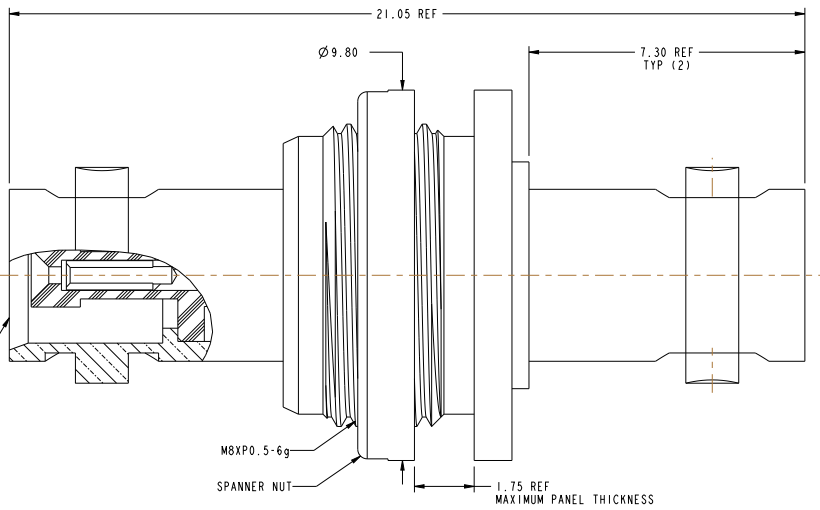
1. MATERIALS AND FINISHES:
 BODYS - BRASS, NICKEL PLATING
 CONTACT - BeCu, GOLD PLATING
 SLEEVE - DELRIN
 INSULATOR - PTFE
2. ELECTRICAL:
 A. IMPEDANCE: 75 OHM
 B. FREQUENCY RANGE: DC - 3 GHz
 C. RETURN LOSS: -30 dB MIN @ 3 GHz
3. MECHANICAL:
 A. DURABILITY: 500 CYCLES MIN.
 B. TEMPERATURE RANGE: +65° C TO -165° C
4. PACKAGING:
 A. QUANTITY: SINGLE PACK
 B. MARKING: BAG TO BE MARKED
 "AMPHENOLRF, APH-HD-ISO-HD AND DATE CODE"



SCALE 4.200
 RECOMMENDED
 MOUNTING HOLE DIMENSIONS



INTERFACE PER
 349-50820
 SERIES: HD-BNC JACK
 TYP.(2)



CUSTOMER OUTLINE DRAWING

ALL OTHER SHEETS ARE FOR INTERNAL USE ONLY

UNLESS OTHERWISE SPECIFIED, DIMENSIONS ARE IN METRIC AND TOLERANCES ARE: <0.5mm ±0.05mm 0.5 - 6mm ±0.1mm 6 - 30mm ±0.2mm 30 - 120mm ±0.3mm ANGLES ±1° NOTICE - These drawings, specifications, or other data (1) are, and remain the property of Amphenol Corp. (2) must be returned upon request; and (3) are confidential and not to be disclosed to any person other than those to whom they are given by Amphenol Corp. The furnishing of these drawings, specifications, or other data by Amphenol Corp., or to any other person for any purpose is not to be regarded by implication or otherwise in any manner licensing, granting rights to permitting such holder or any other person to manufacture, use or sell any product, process or design, patented or otherwise, that may in any way be related to or disclosed by said drawings, specifications, or other data.	MATERIAL	DRAWN R. KARTHIK	DATE 19-Nov-10	TITLE ISOLATED ADAPTER HD BNC JACK TO HD BNC JACK SCALE: 10.0:1.0 SHEET 2 OF 2	Amphenol RF www.amphenolrf.com	
	SEE NOTES	ENGINEER R. KARTHIK	DATE 19-Nov-10			
	REFERENCE EAR # 4295 AND EXP:615X-2733-100	APPROVED K. CAPOZZI	DATE 3/23/11	DWG SIZE B	REV A	DRAWING NO. APH-HD-ISO-HD
	CONFIGURATION LEVEL: In Work	FINISH	CAD FILE			ITEM NO. APH-HD-ISO-HD PART NO. APH-HD-ISO-HD