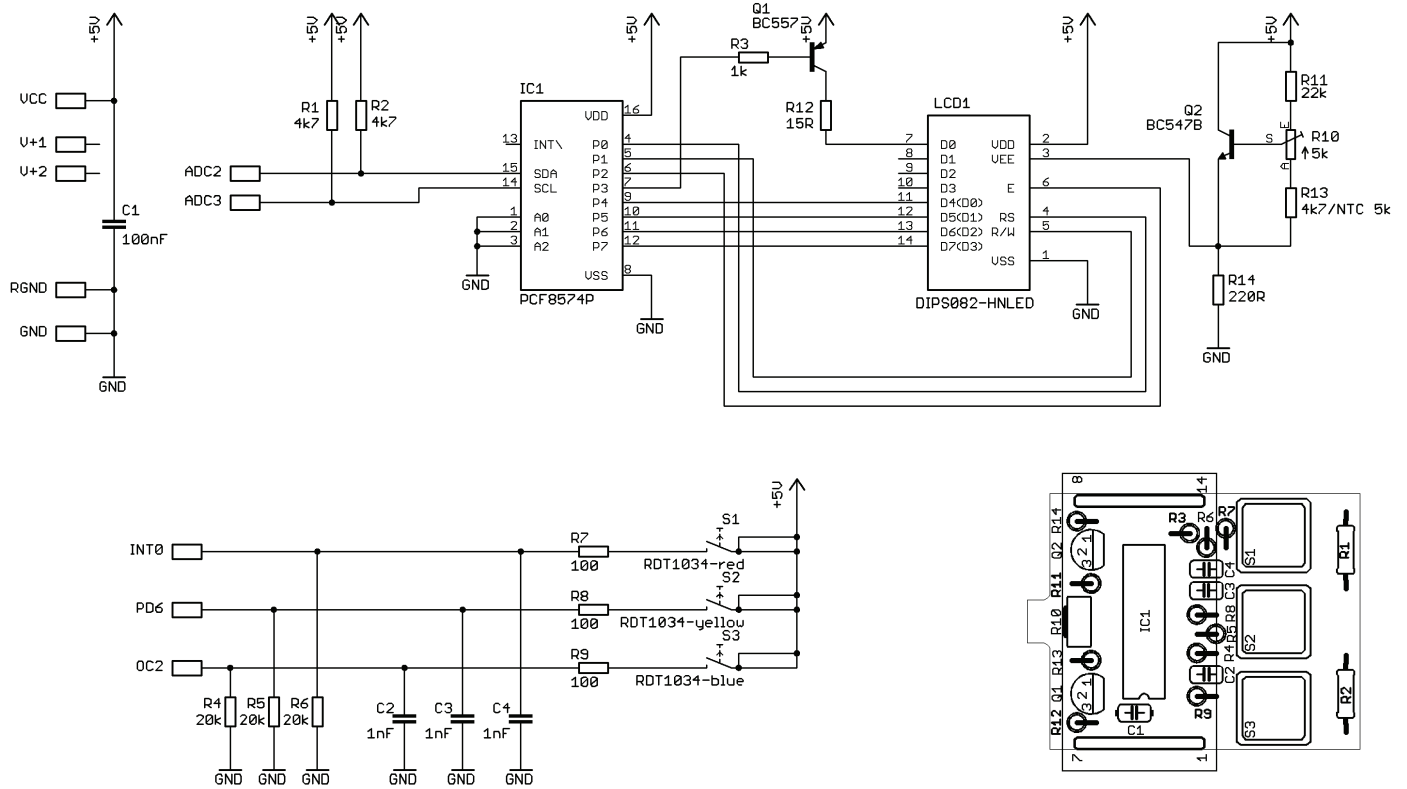


ASURO DISPLAY KIT

ARX-DSP

Circuit ARX-DSP



Short Manual ASURO “DISPLAY”

* This kit is already assembled you only need to connect it to your ASURO extension connector.

*Programming

You need the complete software to operate this display. You need the following files `i2c.c`, `i2c.h`, `pcf8574.c`, `pcf8574.h`, `lcd.c` and `lcd.h` in your project file. The main program needs both hex files:

Mouser Electronics

Authorized Distributor

Click to View Pricing, Inventory, Delivery & Lifecycle Information:

[Global Specialties:](#)

[ARX-DSP](#)