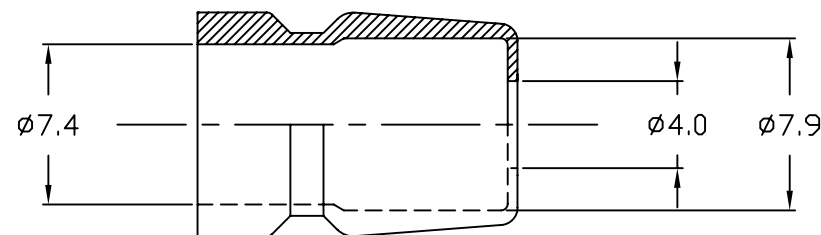
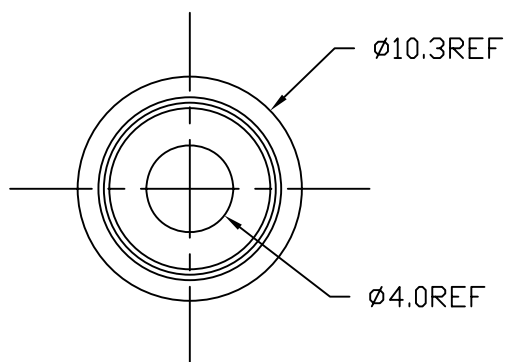
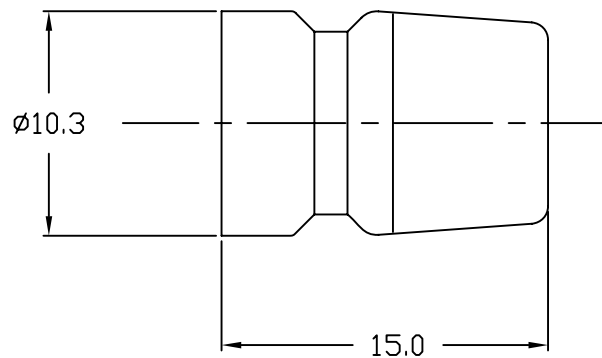




COLOUR	CATALOGUE P/N
BLACK	AC-GROMMET-BLK
BROWN	AC-GROMMET-BRN
RED	AC-GROMMET-RED
ORANGE	AC-GROMMET-ORG
YELLOW	AC-GROMMET-YEL
GREEN	AC-GROMMET-GRN
BLUE	AC-GROMMET-BLU
VIOLET	AC-GROMMET-VIO
GREY	AC-GROMMET-GRY
WHITE	AC-GROMMET-WHT



NOTES:

1. MATERIAL: THERMOPLASTIC ELASTOMER HARDNESS 80-87
2. APPROVE ASSEMBLY AID LUBRICANT IS LUSIN ALRD 0 153S

UNLESS OTHERWISE SPECIFIED TOLERANCE TO BE

LINEAR	ANGULAR
X ± 0.5	X' ± 1°
X.X ± 0.1	X'X' ± 30'
X.XX ± 0.05	X'X'X' ± 15'

BREAK ALL SHARP EDGES AND REMOVE ALL BURRS

DO NOT SCALE

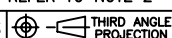
DIMENSIONS IN MILLIMETRES

THIS DOCUMENT IS THE PROPERTY OF AMPHENOL AUSTRALIA PTY. LTD.. NO PART THEREOF MAY BE REPRODUCED AND USED WITHOUT THE PRIOR WRITTEN CONSENT OF THE OWNER

CAD FILE: 0124035000117

MATL: REFER TO NOTE 1

FINISH: REFER TO NOTE 2



DRN: D.v.E. DATE: 15.06.93

CKD: MH DATE: 25-02-99

APP'D: PM DATE: 25-02-99

SCALE: 4:1

7	CHANGE OVERALL LENGTH FROM 15.30MM TO 15.00MM IN RE-TOOLING	M.N.H.	25-02-99	7235
0	FIRST ISSUE	D.v.E.	29.06.93	----
REV.	CHANGE DETAILS	BY	DATE	CHG/No

TITLE:
AC SERIES
7mm GROMMET
CUSTOMER DRAWING

Amphenol
22 Industry Boulevard, Carrum Downs, VIC 3201
DRAWING NO. 012-4035-00* SHEET 1 OF 1

Mouser Electronics

Authorized Distributor

Click to View Pricing, Inventory, Delivery & Lifecycle Information:

[Amphenol:](#)

[AC-GROMMET-BLU](#) [AC-GROMMET-GRN](#) [AC-GROMMET-GRY](#) [AC-GROMMET-ORG](#) [AC-GROMMET-RED](#) [AC-GROMMET-VIO](#) [AC-GROMMET-YEL](#)