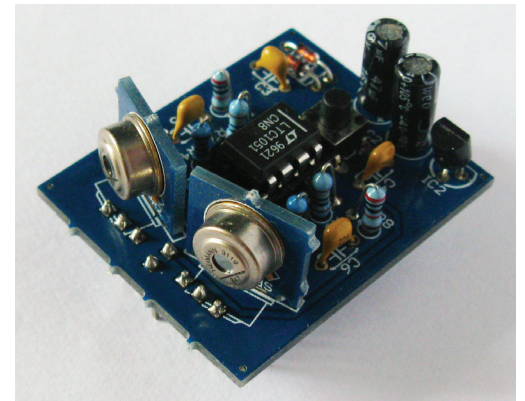
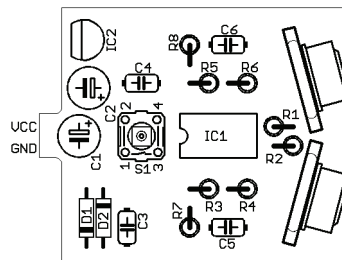
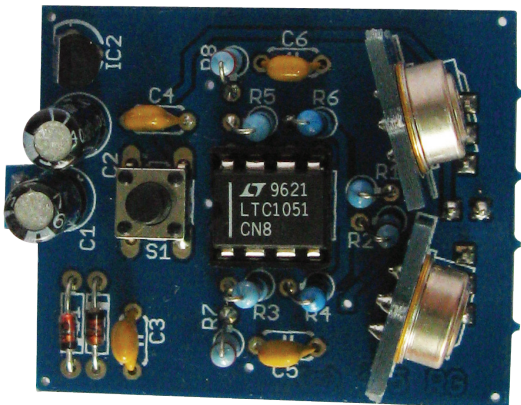
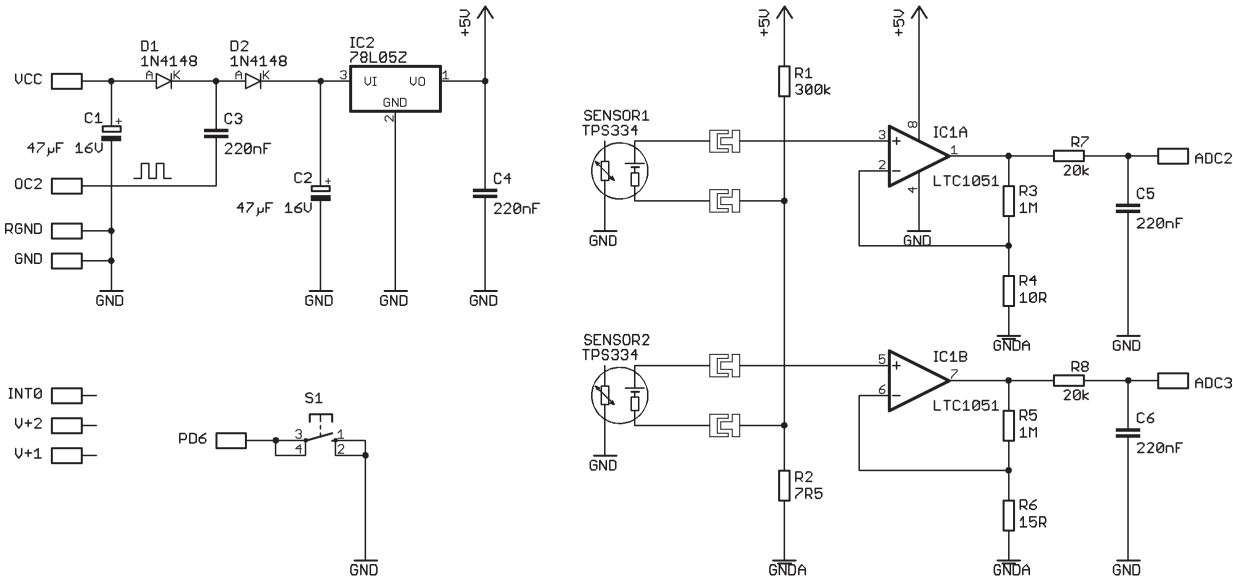


Circuit ARX-SNK



Short manual for the ASURO “Snake Vision”

The “Snake Vision” an PYRO detector kit is already assembled and you only need to plug in the item into the extension socket on the ASURO. Befor you can detect heatsources your Pyro detector must get the same temperature as the room. With S1 you can set a refference temperature.

After this you can read with the LineData()-Funktion the messured value of both Pyrometer sensors.

Mouser Electronics

Authorized Distributor

Click to View Pricing, Inventory, Delivery & Lifecycle Information:

[Global Specialties:](#)

[ARX-SNK](#)