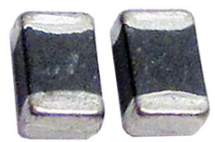


Multilayer Ferrite Chip Bead (High Current)



1.00 x 0.50 x 0.50mm

ACML-0402HC



RoHS/RoHS II Compliant

FEATURES:

- Multilayer monolithic structure yields high reliability
- Unique terminal electrode design ensures high rated current
- High impedance over a wide frequency range

APPLICATIONS:

- Noise suppression for computers and peripheral devices, DVD cameras, LCD TVs, communication equipments, OA equipments, etc.
- Reduces noise in ultra high speed circuits as well

STANDARD SPECIFICATIONS:

Operating Temperature: -55°C ~ +125°C

Storage Temperature: -55°C to +125°C

Part Number ACML-0402HC- Impedance Code	Impedance	Frequency	DC resistance	Rated Current
Units	$\Omega \pm 25\%$	MHz	Ω max	mA max
Symbol	Z	F	R _{DC}	I _R
ACML-0402HC-050	5	100	0.05	2000
ACML-0402HC-110	11	100	0.05	2000
ACML-0402HC-310	31	100	0.06	1500
ACML-0402HC-600	60	100	0.08	1500
ACML-0402HC-700	70	100	0.10	1300
ACML-0402HC-121	120	100	0.10	1200
ACML-0402HC-221	220	100	0.25	1000
ACML-0402HC-301	300	100	0.30	1000

Test Conditions and Equipments

I_R: Rated current applied when the chip surface temperature rise just 40°C against chip surface temperature.
Electric power supplier, Electric current meter, Thermometer.

Z: Impedance Analyzer HP4291 or equivalent, 50mV.

DCR: LCR Meter HP4263A or equivalent

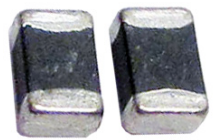
OPTIONS AND PART IDENTIFICATION:

ACML-0402HC- -

Impedance Code
Please refer to the
Electrical Specification
table

Packaging
T: Tape and Reel
(10kpcs / reel)

Multilayer Ferrite Chip Bead (High Current)



1.00 x 0.50 x 0.50mm

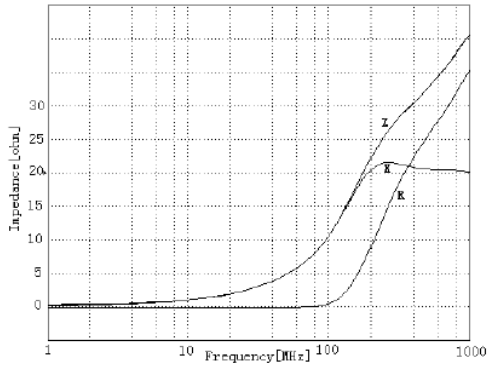
ACML-0402HC



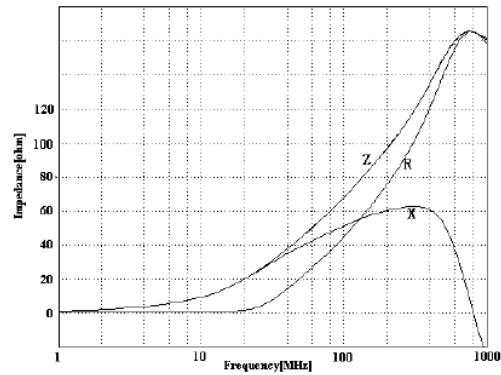
RoHS/RoHS II Compliant

FREQUENCY RESPONSE

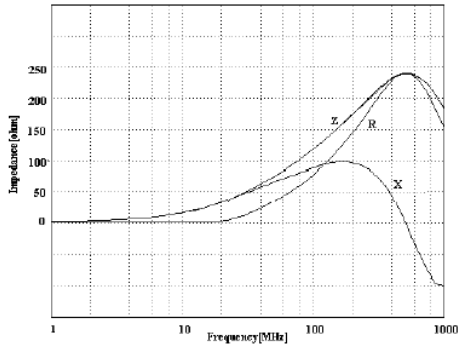
ACML-0402HC-110



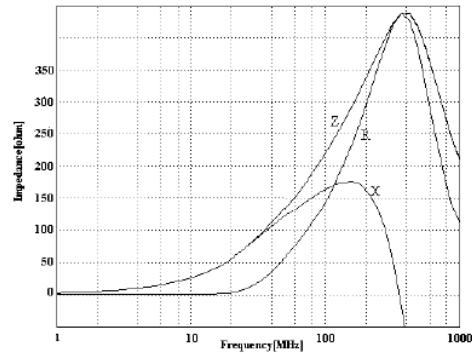
ACML-0402HC-600



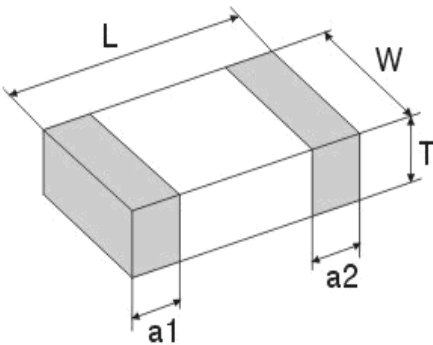
ACML-0402HC-121



ACML-0402HC-301

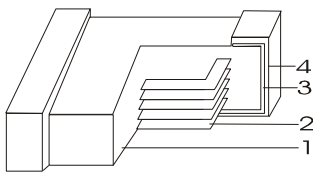


OUTLINE DIMENSIONS:



L	W	T	a1, a2
1.00±0.15	0.50±0.15	0.50±0.15	0.25±0.10

Materials



	Part Name	Material
1	Base Material	Ferrite
2	Internal Conductor	Ag
3	Terminal Electrode	Ag
4	Terminal Electrode	Ni-Sn

Dimension: mm

ABRACON IS
ISO 9001:2008
CERTIFIED



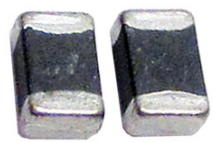
ABRACON
CORPORATION

Visit www.abracon.com for Terms & Conditions of Sale **Revised: 11.11.13**
30332 Esperanza, Rancho Santa Margarita, California 92688
tel 949-546-8000 | fax 949-546-8001 | www.abracon.com

Multilayer Ferrite Chip Bead (High Current)

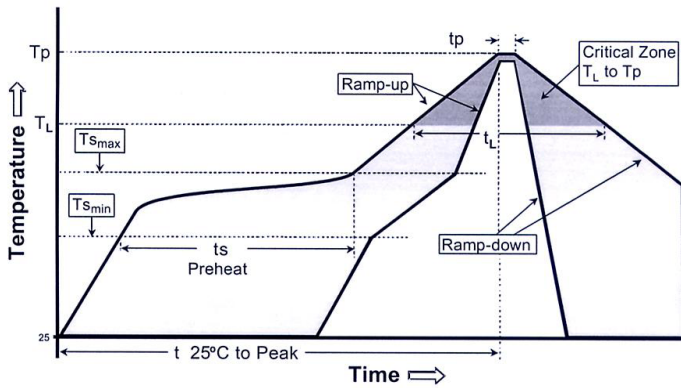
ACML-0402HC

 RoHS/RoHS II Compliant



1.00 x 0.50 x 0.50mm

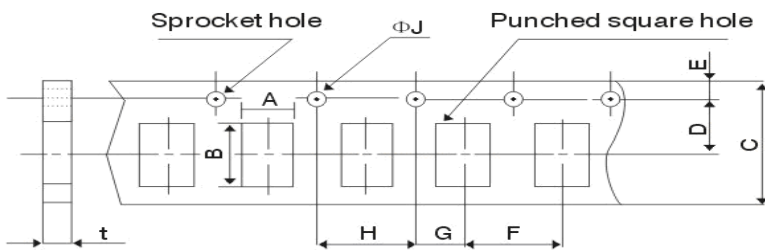
REFLOW PROFILE



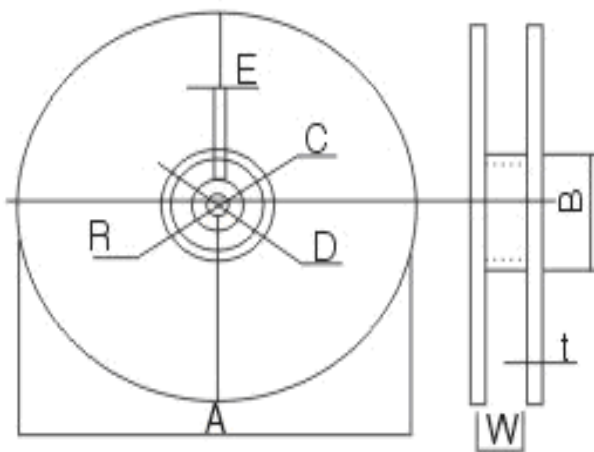
Profile Feature	Lead-Free Assembly
Time maintained above: – Temperature (TL) – Time (tL)	217 °C 60-150 seconds
Peak/Classification Temperature (Tp) Peak/Classification Time (Tp)	260 °C 3-4 seconds
Time within 5 °C of actual Peak Temperature (tp)	20-40 seconds
Ramp-Down Rate	6°C/second max.
Time 25 °C to Peak Temperature	8 minutes max.

TAPE & REEL:

T= tape and reel (10,000 pcs/reel)



T	0.5±0.15
A	0.65±0.15
B	1.15±0.15
C	8.0±0.3
D	3.5±0.05
E	1.75±0.1
F	2.0±0.05
G	2.0±0.05
H	4.0±0.1
ΦJ	1.5+0.1/-0
t(max)	0.8±0.05



A	178±2
B	60±2
C	13.0±0.5
D	21.0±0.8
E	2.0±0.5
W	10.0±1.15
t	1.2±0.2
R	1.0±0.25

Dimension: mm

ATTENTION: Abracon Corporation's products are COTS – Commercial-Off-The-Shelf products; suitable for Commercial, Industrial and, where designated, Automotive Applications. Abracon's products are not specifically designed for Military, Aviation, Aerospace, Life-dependant Medical applications or any application requiring high reliability where component failure could result in loss of life and/or property. For applications requiring high reliability and/or presenting an extreme operating environment, written consent and authorization from Abracon Corporation is required. Please contact Abracon Corporation for more information.

ABRACON IS
ISO 9001:2008
CERTIFIED



Visit www.abracon.com for Terms & Conditions of Sale **Revised: 11.11.13**
30332 Esperanza, Rancho Santa Margarita, California 92688
tel 949-546-8000 | fax 949-546-8001 | www.abracon.com

AMEYA360

Components Supply Platform

Authorized Distribution Brand :



Website :

Welcome to visit www.ameya360.com

Contact Us :

➤ Address :

401 Building No.5, JiuGe Business Center, Lane 2301, Yishan Rd
Minhang District, Shanghai , China

➤ Sales :

Direct +86 (21) 6401-6692

Email amall@ameya360.com

QQ 800077892

Skype [ameyasales1](#) [ameyasales2](#)

➤ Customer Service :

Email service@ameya360.com

➤ Partnership :

Tel +86 (21) 64016692-8333

Email mkt@ameya360.com