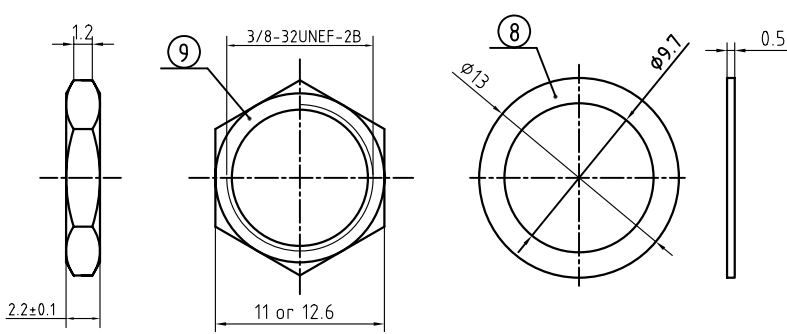
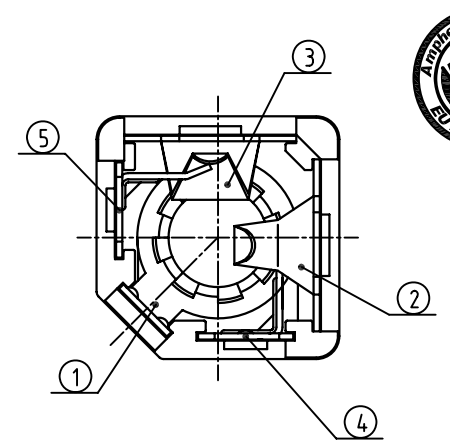
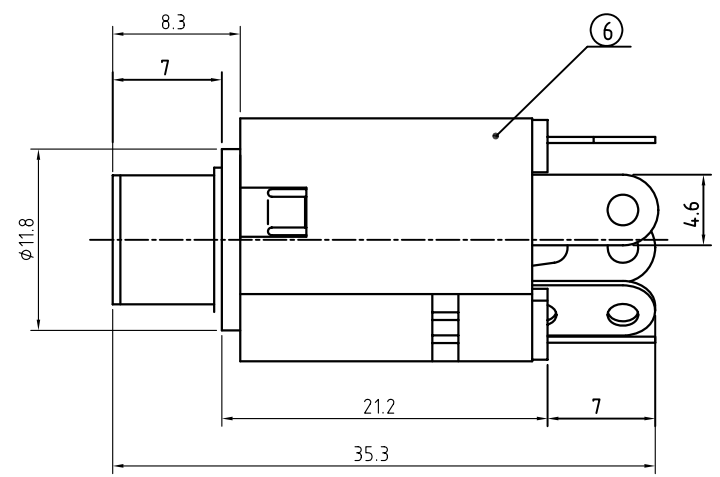
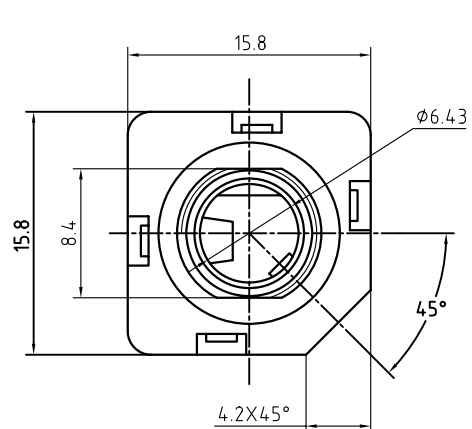
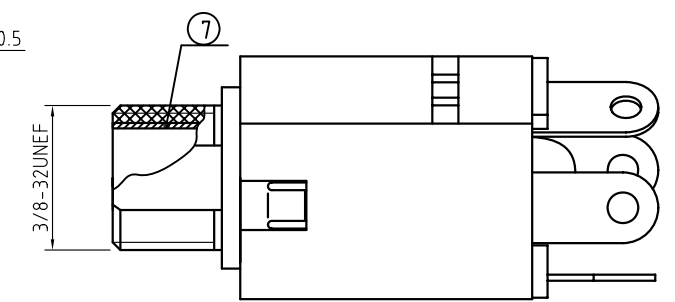


1 2 3 4 5 6



HEX NUT

FLAT WASHER



PART NUMBER	ACJM-MIVS-2	ACJM-MIVS-2S	ACJS-MIVS-3	ACJS-MIVS-3S	ACJS-MIVS-5
GENERAL SCHEMATIC					

NO.	NAME	QTY	MATERIAL (THICK, COLOR)	REMARK
9	HEX NUT	1	H59 (COPPER ALLOY)	Ni-PLATED (Cu:2-3um, Ni:2-3um) RoHS COMPLIANT
8	FLAT WASHER	1	H62Y OR STEEL t=0.5	
7	SLEEVE	1	H59 (COPPER ALLOY)	
6	HOUSING	1	PBT G10 94HB	RoHS COMPLIANT
5	5# TERMINAL	1	QSn6.5-0.1Y t=0.35 (C5210R-H)	Ag-PLATED (Cu:2-3um, Ag:0.3um) RoHS COMPLIANT
4	4# TERMINAL	1	QSn6.5-0.1Y t=0.4 (C5210R-H)	
3	3# TERMINAL	1	QSn6.5-0.1Y t=0.35 (C5210R-H)	
2	2# TERMINAL	1	QSn6.5-0.1Y t=0.4 (C5210R-H)	
1	1# TERMINAL	1	QSn6.5-0.1Y t=0.4 (C5210R-H)	

UNLESS OTHERWISE SPECIFIED TOLERANCE TO BE		THIS DOCUMENT IS THE PROPERTY OF AMPHENOL AUSTRALIA PTY. LTD.. NO PART THEREOF MAY BE REPRODUCED AND USED WITHOUT THE PRIOR WRITTEN CONSENT OF THE OWNER			
LINEAR	ANGULAR	CAD FILE:	DRN:	DATE:	TITLE:
X ± 0.5 X/X ± 0.1 X/X ± 0.05	X° ± 1° X°X' ± 30° X°X'X" ± 15'	55010635000111	M.H	22-10-09	1/4 STEREO INSULATED PHONE JACK CUSTOMER DRAWING
BREAK ALL SHARP EDGES AND REMOVE ALL BURRS		MATL:	SEE NOTES	CKD:	M.H.
DO NOT SCALE		FINISH:	SEE NOTES	APP'D:	M.H.
DIMENSIONS IN MILLIMETRES		SCALE:	NTS	PART No:	SEE SCHEMATIC

1	CHANGE P/N FROM 55010635 TO CAT P/N ACJM/S-MIVS	M.H	05-03-10	----
0	FIRST ISSUE	M.N.H	22-10-09	----
REV.	CHANGE DETAILS	BY	DATE	CHG/No
DRAWING NO. 55010635-000-1		SHEET 1 OF 1		

1 2 3 4 5 6

Mouser Electronics

Authorized Distributor

Click to View Pricing, Inventory, Delivery & Lifecycle Information:

[Amphenol:](#)

[ACJS-MIVS-5](#) [ACJS-MIVS-3](#) [ACJM-MIVS-2](#) [ACJS-MIVS-3S](#) [ACJM-MIVS-2S](#)