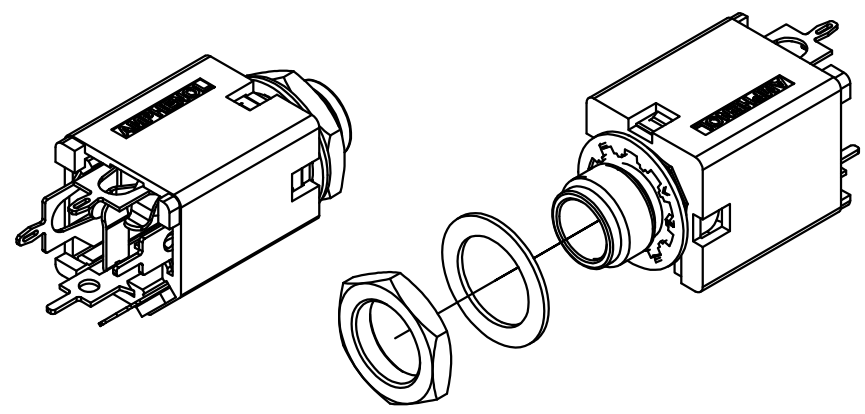


PANEL CUTOUT



**PCB LAYOUT
(CONNECTOR SIDE)**

PART No.	ACJM-MN-2	ACJM-MN-2S	ACJS-MN-3	ACJS-MN-3S	ACJS-MN-5
SCHEMATIC					

UNLESS OTHERWISE SPECIFIED TOLERANCE TO BE	
LINEAR	ANGULAR
X ± 0.5	X° ± 1°
X.X ± 0.1	X°X' ± 30'
X.XX ± 0.05	X°X'X" ± 15'
BREAK ALL SHARP EDGES AND REMOVE ALL BURRS	
DO NOT SCALE	
DIMENSIONS IN MILLIMETRES	

THIS DOCUMENT IS THE PROPERTY OF AMPHENOL AUSTRALIA PTY. LTD. NO PART THEREOF MAY BE REPRODUCED AND USED WITHOUT THE PRIOR WRITTEN CONSENT OF THE OWNER

CAD FILE: 55010227000161 DRN: L.V DATE: 07-04-03

MATL: REFER TO COMPONENT CKD: M.N.H DATE: 18-12-03

FINISH: REFER TO COMPONENT APP'D: P.M DATE: 18-12-03

SCALE: 2:1 UOS PART No: 55010227-000

1	ADD "AMPHENOL LOGO" TO PLASTIC HOUSING	L.V	15-12-03	8245
0	FIRST ISSUE	L.V	07-04-03	----
REV.	CHANGE DETAILS	BY	DATE	CHG/No
TITLE: ACJS-MN- 1/4" PHONE JACK CUSTOMER DRAWING				
DRAWING NO. 55010227-000-6		SHEET 1 OF 6		

A
B
C
D
E
F

A
B
C
D
E
F

1 2 3 4 5 6

Mouser Electronics

Authorized Distributor

Click to View Pricing, Inventory, Delivery & Lifecycle Information:

[Amphenol:](#)

[ACJS-MN-5](#) [ACJM-MN-2](#) [ACJM-MN-2S](#) [ACJS-MN-3S](#) [ACJS-MN-3](#)