

3 PIN 4 PIN 5 PIN 6 PIN 7 PIN

CONTACTS AS VIEWED FACING FEMALE CONECTOR

AAA F Z

SERIES: _____
Q-G° CONNECTOR

OF CONTACT SOCKETS: _____
3, 4, 5, 6 OR 7

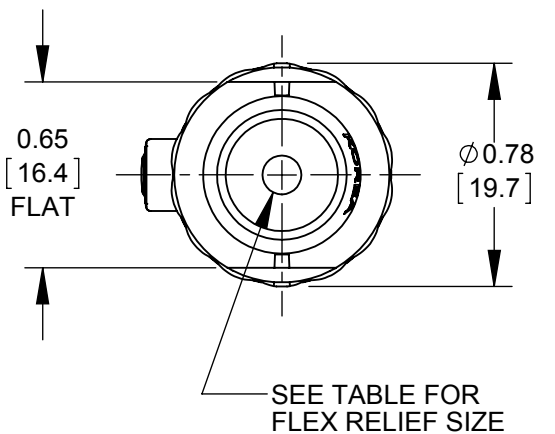
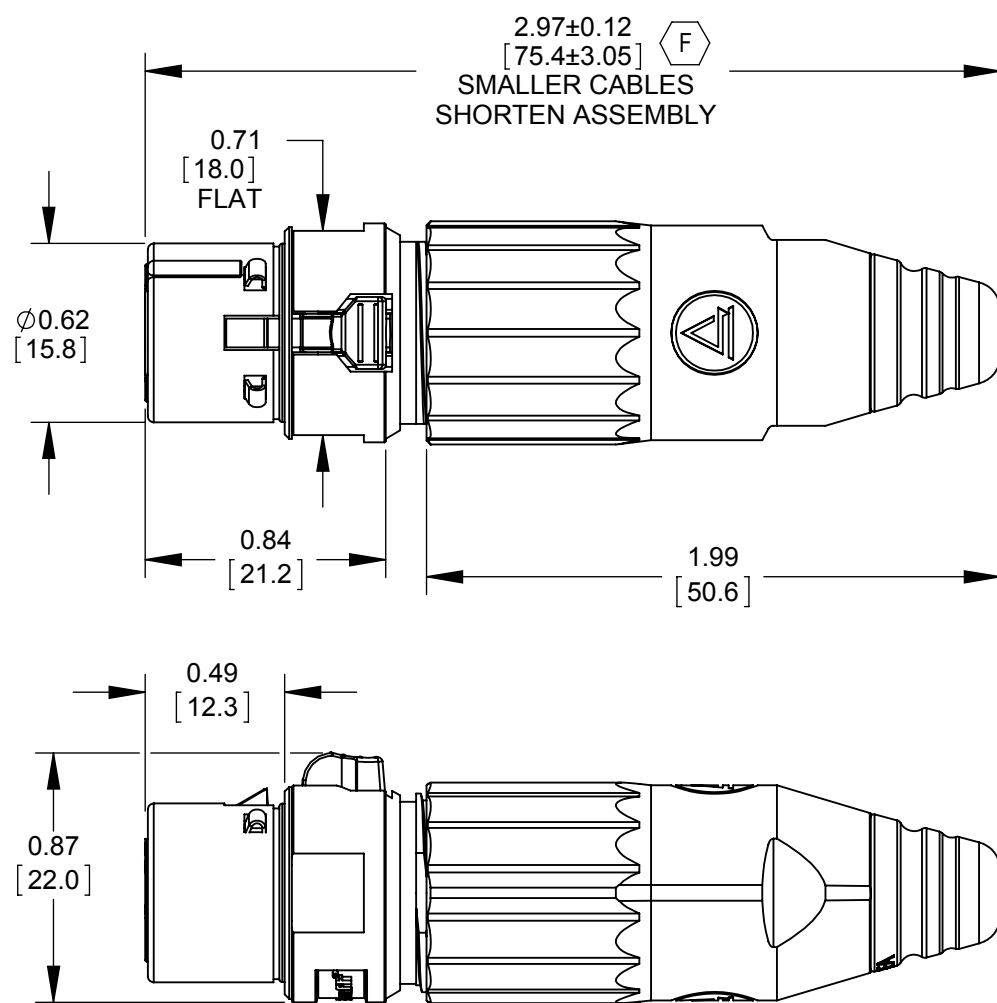
GENDER: _____
FEMALE

HANDLE STYLE: _____
BLANK - METAL HANDLE (SEE FINISH BELOW)
P - PLASTIC HANDLE, BLACK

FINISH: _____
BLANK - NICKEL HANDLE & CONNECTOR, WITH BLACK FLEX RELIEF & GREEN INSERT
B - BLACK HANDLE & CONNECTOR, WITH BLACK FLEX RELIEF & BLACK INSERT
W - WHITE HANDLE & NICKEL FINISH CONNECTOR WITH WHITE FLEX RELIEF & GREEN INSERT (G)

CONTACT SOCKET PLATING: _____
BLANK - SILVER
AU - GOLD

FLEX RELIEF STYLE: _____
BLANK - FLEX RELIEF I.D. 0.135 [3.4mm]
 RECOMMENDED CABLE O.D. 0.100 - 0.220 [2.5mm - 5.6mm]
L - FLEX RELIEF I.D. 0.225 [5.7mm]
 RECOMMENDED CABLE O.D. 0.220 - 0.285 [5.6mm - 7.2mm] (F)



CUSTOMER DRAWING

NOTES:

- CONNECTORS AND HANDLES ARE SHIPPED SIDE BY SIDE OR IN BULK.
- MATERIALS:
 (F) HANDLE METAL - ZINC ALLOY, NICKEL PLATED OR BLACK OR WHITE PAINTED
 HANDLE PLASTIC - THERMOPLASTIC, BLACK
 CABLE CLAMP - THERMOPLASTIC, BLACK
 FLEX RELIEF - THERMOPLASTIC, BLACK OR WHITE
 HOUSING AND LATCH - ZINC ALLOY, NICKEL OR BLACK SATIN CHROME PLATED
 INSULATOR - THERMOPLASTIC, GREEN OR BLACK
 GROUND TERMINAL - SPECIAL COPPER ALLOY, TIN PLATED
 CONTACT SOCKETS - SPECIAL COPPER ALLOY, SILVER OR GOLD PLATED
 O-RING - THERMOPLASTIC RUBBER, BLACK
- THESE PRODUCTS ARE RoHS COMPLIANT.

REV	ECO NUMBER	DATE	BY	APVD
G	27473	03/27/15	PC	TJK
F	27081	01/25/13	BL	TJK
E	25891	9-9-08	SRC	TJK
D	25711	10-17-07	JGK	TJK
C	24940	3-11-05	JL	TJK
B	24552	10-13-03	JL	BRH
A	24446	8-12-03	JL	BRH
REVISIONS				

☆ STAR SYMBOL DENOTES CRITICAL DIMENSION

UNLESS OTHERWISE SPECIFIED

- ALL DIMENSIONS IN INCHES
 - TWO PLACE DECIMALS ±0.01
 - THREE PLACE DECIMALS ±0.005
 - ANGLES ±1°
 - ALL DIA. CONCENTRIC WITHIN 0.005 T.I.R.
- FEATURES ON THE SAME CENTERLINE MUST BE ALIGNED WITHIN ±0.002
- REMOVE ALL BURRS

DO NOT SCALE DRAWING

THIS DRAWING DESCRIBES A DESIGN CONSIDERED PROPRIETARY IN NATURE, DEVELOPED AND MANUFACTURED BY SWITCHCRAFT INC. AND IS RELEASED ON A CONFIDENTIAL BASIS FOR IDENTIFICATION PURPOSES ONLY.									
SIZE	WIDTH	MULT	LBS/M	TEMPER					
FINISH SPEC No.			MATERIAL SPEC No.						
FIRST USED ON			SCALE 1.5:1						
DATE DRAWN	BY	CHKD	APVD						
03-07-03	BRH	BRH	BRH						
			8-12-03	8-12-03	SHEET 1 OF 1				
NAME			PART No.	REV					
FEMALE XLR CONNECTOR, RoHS			AAA_FZ SERIES	G					

Mouser Electronics

Authorized Distributor

Click to View Pricing, Inventory, Delivery & Lifecycle Information:

Switchcraft:

[AAA5FZ](#) [AAA4FZ](#) [AAA4MZ](#) [AAA6FZ](#) [AAA6MZ](#) [AAA3FPBZ](#) [AAA3MPZ](#) [AAA3MBAUZ](#) [AAA3FPZ](#) [AAA3MPBZ](#)
[AAA3FZ](#) [AAA3MZ](#) [AAA3MBZ](#) [AAA3FBZ](#) [AAA3FBAUZ](#) [AAA4FBAUZ](#) [AAA4FBZ](#) [AAA4FPZ](#) [AAA4MBAUZ](#)
[AAA4MBZ](#) [AAA4MPZ](#) [AAA5FBAUZ](#) [AAA5FBZ](#) [AAA5FPZ](#) [AAA5MBAUZ](#) [AAA5MBZ](#) [AAA5MPZ](#) [AAA5MZ](#)
[AAA6FBAUZ](#) [AAA6FBZ](#) [AAA6FPZ](#) [AAA6MBAUZ](#) [AAA6MBZ](#) [AAA6MPZ](#) [AAA7FBAUZ](#) [AAA7FBZ](#) [AAA7FPZ](#)
[AAA7FZ](#) [AAA7MBAUZ](#) [AAA7MBZ](#) [AAA7MPZ](#) [AAA7MZ](#) [AAAHBZ](#) [AAA5FWZ](#) [AAA3FWZ](#) [AAA4FWZ](#)