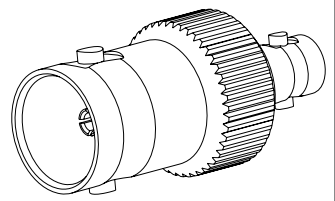


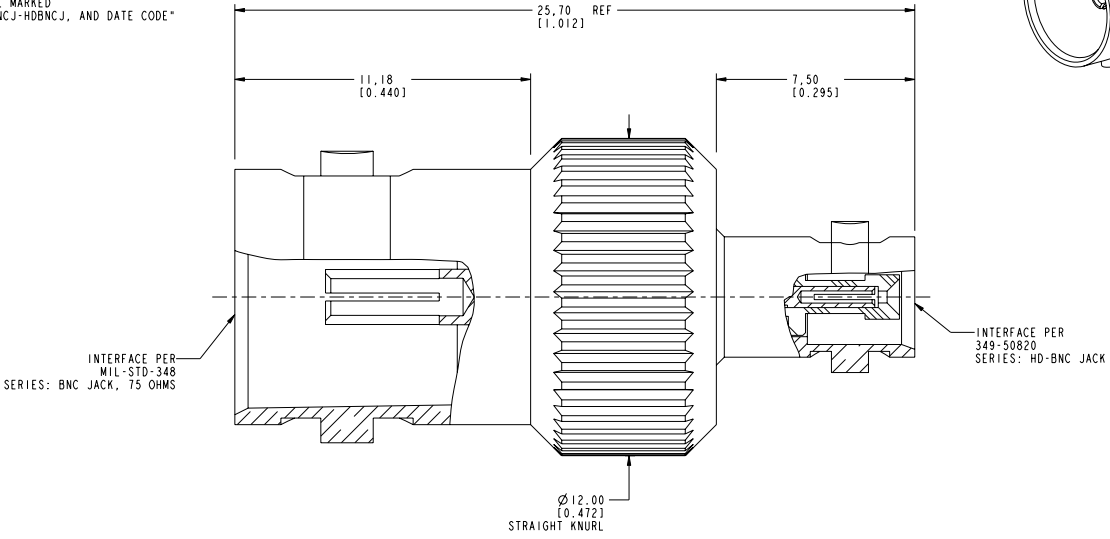
- NOTES:
- MATERIALS AND FINISHES:
 BODY - BRASS, NICKEL PLATING
 CONTACT - BERYLLIUM COPPER, GOLD PLATING
 INSULATOR - PTFE
 - ELECTRICAL:
 A. IMPEDANCE: 75 OHM
 B. FREQUENCY RANGE: DC - 4 GHz
 C. RETURN LOSS: -28 dB MIN
 - MECHANICAL:
 A. DURABILITY: 500 CYCLES MIN.
 B. TEMPERATURE RANGE: -65° C TO $+165^{\circ}$ C
 - PACKAGING:
 A. QUANTITY: SINGLE PACK
 B. MARKING: BAG TO BE MARKED
 "AMPHENOLRF, APH-BNCJ-HDBNCJ, AND DATE CODE"

THIRD ANGLE PROJ.

REVISIONS				
REV	DESCRIPTION	DATE	ECO	APPR
A	RELEASED TO MFG	18-Oct-10	48170	NMV



SCALE 3.500



CUSTOMER OUTLINE DRAWING
 ALL OTHER SHEETS ARE FOR INTERNAL USE ONLY

UNLESS OTHERWISE SPECIFIED, DIMENSIONS ARE IN METRIC AND TOLERANCES ARE: 0.5mm $0.5 - 6\text{mm}$ $6 - 30\text{mm}$ $30 - 120\text{mm}$ ANGLES $\pm 0.05\text{mm}$ $\pm 0.1\text{mm}$ $\pm 0.2\text{mm}$ $\pm 0.3\text{mm}$ $\pm 1^{\circ}$	MATERIAL	DRAWN	DATE	TITLE ADAPTOR, 75 OHM BNC, JACK TO HD BNC JACK	Amphenol RF Danbury CT USA, Taichung, Taiwan, Shenzhen, China www.amphenolrf.com	
	SEE NOTES	S.L.I	18-Oct-10			
NOTICE: These drawings, specifications, or other data (1) are, and remain the property of Amphenol Corp. (2) must be returned upon request; and (3) are confidential and not to be disclosed to any person other than those to whom they are given by Amphenol Corp., the furnishing of these drawings, specifications, or other data by Amphenol Corp., or to any other person for any purpose is not to be regarded by implication or otherwise in any manner licensing, granting rights to permitting such holder or any other person to manufacture, use or sell any product, process or design, patented or otherwise, that may in any way be related to or disclosed by said drawings, specifications, or other data.	REFERENCE	ENGINEER	DATE	SCALE: 7.0:1.0	SHEET 2 OF 2	
	BEAR:	S.HSIEH	NISCHIT MV	16-Feb-10		
	CONFIGURATION LEVEL: ::XXXZ0HX18IGCE:	APPROVED	CAD FILE	DATE	DWG SIZE	REV
FINISH		Root Folder/BNC/APH-BNCJ-HDBNCJ	18-Oct-10	B	A	
					DRAWING NO. APH-BNCJ-HDBNCJ	
					ITEM NO. APH-BNCJ-HDBNCJ	
					PART NO. APH-BNCJ-HDBNCJ	