

3 PIN

4 PIN

5 PIN

6 PIN

7 PIN

CONTACTS AS VIEWED FACING FEMALE CONECTOR

AAA F Z

SERIES: _____
Q-G° CONNECTOR

OF CONTACT SOCKETS: _____
3, 4, 5, 6 OR 7

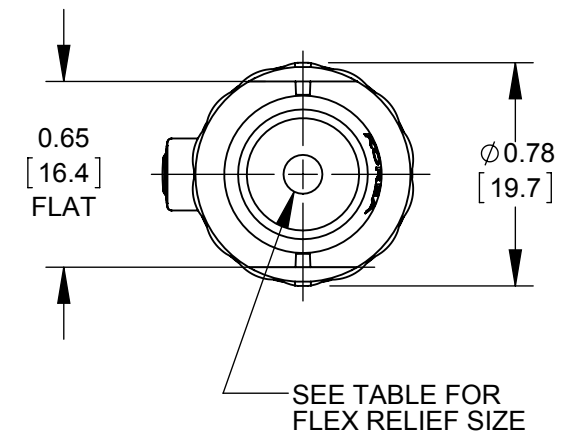
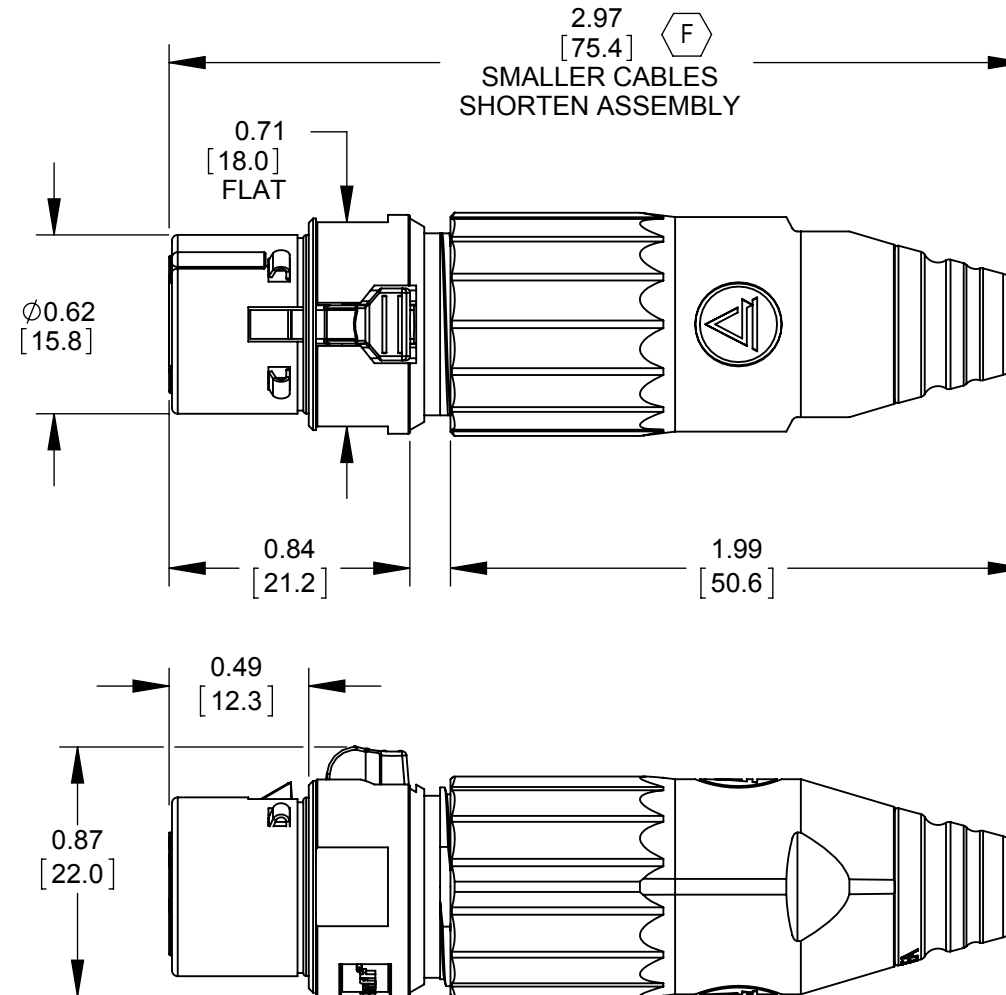
GENDER: _____
F - FEMALE

HANDLE STYLE: _____
BLANK - METAL HANDLE
P - PLASTIC HANDLE

FINISH: _____
BLANK - NICKEL FINISH & GREEN INSERT
B - BLACK FINISH & BLACK INSERT

CONTACT SOCKET PLATING: _____
BLANK - SILVER
AU - GOLD

FLEX RELIEF STYLE: _____
BLANK - FLEX RELIEF I.D. 0.135 [3.4mm]
RECOMMENDED CABLE O.D. 0.100 - 0.220 [2.5mm - 5.6mm]
L - FLEX RELIEF I.D. 0.225 [5.7mm]
RECOMMENDED CABLE O.D. 0.220 - 0.285 [5.6mm - 7.2mm] (F)



CUSTOMER DRAWING

NOTES:

- CONNECTORS AND HANDLES ARE SHIPPED SIDE BY SIDE OR IN BULK.
- MATERIALS:
(F) HANDLE METAL - ZINC ALLOY, NICKEL PLATED OR BLACK SATIN CHROME PLATED
HANDLE PLASTIC - THERMOPLASTIC, BLACK
CABLE CLAMP AND FLEX RELIEF - THERMOPLASTIC, BLACK
HOUSING AND LATCH - ZINC ALLOY, NICKEL OR BLACK SATIN CHROME PLATED
INSULATOR - THERMOPLASTIC, GREEN OR BLACK
GROUND TERMINAL - SPECIAL COPPER ALLOY, TIN PLATED
CONTACT SOCKETS - SPECIAL COPPER ALLOY, SILVER OR GOLD PLATED
O-RING - THERMOPLASTIC RUBBER, BLACK
- THESE PRODUCTS ARE RoHS COMPLIANT.

REV	ECO NUMBER	DATE	BY	APVD
F	27081	01/25/13	BL	TJK
E	25891	9-9-08	SRC	TJK
D	25711	10-17-07	JGK	TJK
C	24940	3-11-05	JL	TJK
B	24552	10-13-03	JL	BRH
A	24446	8-12-03	JL	BRH
REVISIONS				

★ STAR SYMBOL DENOTES CRITICAL DIMENSION

UNLESS OTHERWISE SPECIFIED

- ALL DIMENSIONS IN INCHES
- TWO PLACE DECIMALS ±0.01
- THREE PLACE DECIMALS ±0.005
- ANGLES ±1°
- ALL DIA. CONCENTRIC WITHIN 0.005 T.I.R.
- FEATURES ON THE SAME CENTERLINE MUST BE ALIGNED WITHIN ±0.002
- REMOVE ALL BURRS

DO NOT SCALE DRAWING

THIS DRAWING DESCRIBES A DESIGN CONSIDERED PROPRIETARY IN NATURE, DEVELOPED AND MANUFACTURED BY SWITCHCRAFT INC. AND IS RELEASED ON A CONFIDENTIAL BASIS FOR IDENTIFICATION PURPOSES ONLY.

SIZE	WIDTH	MULT	LBS/M	TEMPER
FINISH		MATERIAL		
SPEC No.		SPEC No.		
FIRST USED ON		SCALE 1.5:1		
DATE DRAWN	BY	CHKD	APVD	Switchcraft [®]
03-07-03	BRH	BRH	BRH	
NAME				PART No.
FEMALE XLR CONNECTOR, RoHS				AAA_FZ SERIES
				REV F
				SHEET 1 OF 1

SolidWorks CAD File (B)

Mouser Electronics

Authorized Distributor

Click to View Pricing, Inventory, Delivery & Lifecycle Information:

Switchcraft:

[AAA3FBAUZPKG](#) [AAA3FBZPKG](#) [AAA3FPBZPKG](#) [AAA3FPZPKG](#) [AAA3FZPKG](#) [AAA7FPZPKG](#) [AAHPZ](#) [AAHZ](#)
[AAA6FZPKG](#) [AAA6MZPKG](#)