

ON Semiconductor®



DATASHEET

AX8052F100

Ultra-Low Power Microcontroller

Revision 2



Table of Contents

1. Overview	4
1.1. Features	4
1.2. Applications	6
2. Block Diagram	7
3. Pin Function Descriptions	8
3.1. Alternate Pin Functions.....	9
3.2. Pinout Drawing.....	10
4. Specifications	11
4.1. Absolute Maximum Ratings	11
4.2. DC Characteristics	12
Supplies.....	12
Logic	13
4.3. AC Characteristics.....	13
Crystal Oscillator.....	13
Low Frequency Crystal Oscillator.....	14
Internal Low Power Oscillator	14
Internal RC Oscillator.....	14
Microcontroller.....	15
ADC / Comparator / Temperature Sensor	16
5. Circuit Description	17
5.1. Microcontroller	18
Memory Architecture	18
Memory Map.....	19
Power Management	21
Clocking.....	21
Reset and Interrupts	22
Debugging	23
5.2. Timer, Output Compare and Input Capture	24



5.3. UART 24

5.4. Dedicated Radio SPI Master Controller..... 24

5.5. SPI Master/Slave Controller 24

5.6. ADC, Analog Comparators and Temperature Sensor 25

5.7. DMA Controller 26

5.8. AES Engine 26

5.9. Crystal Oscillator 26

5.10. Ports 27

6. Application Information 28

6.1. Typical Application Diagram 28

7. QFN28 Package Information 29

7.1. Package Outline QFN28 29

7.2. QFN28 Soldering Profile 30

7.3. QFN28 Recommended Pad Layout 31

7.4. Assembly Process 31

 Stencil Design & Solder Paste Application 31

8. References 33

9. Device Versions 34



1. Overview

1.1. Features

Ultra-low power microcontroller

- QFN28 package
- Supply range 1.8 V - 3.6 V
- -40°C to 85°C
- Ultra-low power consumption:
 - CPU active mode 150 μ A/MHz
 - Sleep mode with 256 Byte RAM retention and wake-up timer running 850 nA
 - Sleep mode 4 kByte RAM retention and wake-up timer running 1.5 μ A
 - Sleep mode 8 kByte RAM retention and wake-up timer running 2.2 μ A
- AX8052 Core
 - Industry standard 8052 instruction set
 - High performance core, most instructions require only 1 clock per instruction byte
 - 20 MIPS
 - Dual DPTR for high speed memory copies
 - 22 interrupt vectors
- Debugger
 - 3-wire (1 dedicated, 2 shared with GPIO Pins) debugger interface
 - True hardware debugger with breakpoints and single stepping support
 - User programmable 64bit key to restrict debugging to authorized personnel
 - DebugLink interface allows "printf" style debugging

without utilizing a UART or GPIO pins

- Memory
 - 64 kByte FLASH
100 000 erase cycles
10 year data retention
 - 8.25 kByte RAM
 - High performance memory crossbar
- Clocking
 - 4 clock sources
 - on-chip 20 MHz RC-oscillator
 - 10 kHz/640 Hz ultra-lowpower RC-oscillator
 - fast crystal oscillator
 - low power tuning fork crystal oscillator
 - Fully automatic calibration of on-chip RC oscillators to a reference clock
 - Clock monitor can detect failures of the main clock and switch to the on-chip fast RC oscillator
 - Watchdog
- Power Modes
 - Standby, sleep and deep sleep power modes for very low idle power consumption
 - On-chip power-on reset and brown out detection
 - Unrestricted operation from 1.8 V - 3.6 V VDD_IO



- **16-bit Wakeup Timer**
 - 2 counting registers
 - 4 event registers allow flexible wakeup and software schedules
- **GPIO**
 - 24 GPIO pins
 - PB0-PB7, PC0-PC3 and PR0-PR5 5 V tolerant inputs
 - All GPIO pins support individually programmable pull-ups and interrupt on change
 - Flexible allocation of GPIO pins to peripherals
- **16-bit General Purpose Timer (3x)**
 - Saw tooth and triangle modes
 - Sigma-Delta mode converts timer into a DAC
 - Optional double buffering of the PERIOD register allows controlled frequency changes
 - Optional high-byte buffering allows atomic 16-bit accesses
 - Flexible clocking options, can use any internal or an external clock source
 - Pre-scaler included
- **16-bit Output Compare Unit (2x)**
 - Used together with a General Purpose Timer to create PWM waveforms
 - Optional double buffering
- **16-bit Input Capture Unit (2x)**
 - used together with a General Purpose Timer to time events on an external or internal signal
- **UART (2x)**
 - 5-9 bit word length, 1-2 stop bits
 - Uses one of the General Purpose Timers as baud rate generator
- **Dedicated Radio Master SPI Interface**
 - Compatible to AXSEM RF and other peripherals
 - Efficient CPU access
 - Easy access to transceiver registers by mapping transceiver registers into X address space
 - Transceiver crystal may clock MCU
- **Master/Slave SPI**
 - Supports 3 and 4 wire variants
- **ADC**
 - 10-bit 500 kSamples/s ADC
 - Up to 8 channels
 - Single ended and differential sampling
 - x0.1, x1 and x10 gain amplifier
 - Internal 1 V reference
 - Flexibly programmable conversion schedule
 - Built-in temperature sensor
- **Analog Comparators**
 - Internal or external reference
 - Output signal may be routed to GPIO, read by software, or used as input capture trigger



- **DMA controller**
 - **2 independent DMA channels**
 - **Moves data between X-RAM and most on-chip peripherals**
 - **Cycle-steal and round-robin memory arbitration ensure minimal impact on AX8052 core**
 - **Chained buffer descriptors allow arbitrarily elaborate buffering schemes and flexible interrupt generation**
- **AES¹**
 - **Dedicated AES crypto controller**
 - **Dedicated DMA engine to fetch input data and key stream from X-RAM and strobe output data into X-RAM**
- **Multi Megabit/s data rates**
- **Supports AES-128, AES-192 and AES-256 international standards**
- **Programmable round number and software key schedule generation allow longer key lengths for higher security applications**
- **ECB, CFB and OFB chaining modes**
- **True Random Number Generator (RNG)¹**
 - **Cryptographic random numbers**

1.2. Applications

- **Ultra-low power microcontroller applications, especially in conjunction with AXSEM radio IC**
- **Sensor Applications**
- **Home Automation**
- **Automatic Meter Reading**
- **Remote Keyless Entry**
- **Active RFID**
- **Wireless Audio**

¹ The AES engine and the random number generator require software enabling and support.



2. Block Diagram

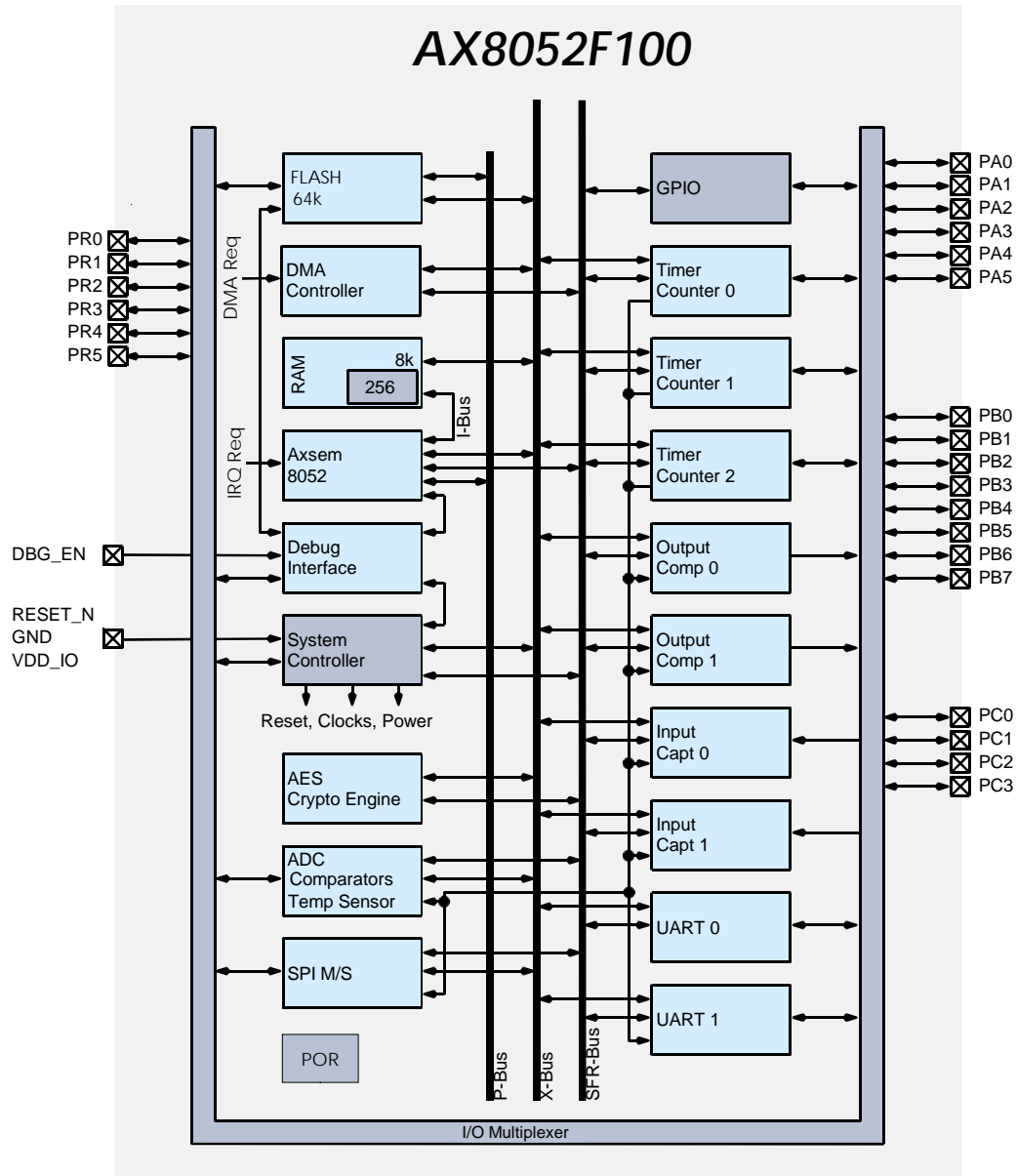


Figure 1 Functional block diagram of the AX8052F100



3. Pin Function Descriptions

Symbol	Pin(s)	Type	Description
PR5	1	I/O/PU	General Purpose I/O
VDD_CORE	2	P	Regulated output voltage
PR4	3	I/O/PU	General Purpose I/O
PR3	4	I/O/PU	General Purpose I/O
PR2	5	I/O/PU	General Purpose I/O
PR1	6	I/O/PU	General Purpose I/O
PR0	7	I/O/PU	General Purpose I/O
PC3	8	I/O/PU	General Purpose I/O
PC2	9	I/O/PU	General Purpose I/O
PC1	10	I/O/PU	General Purpose I/O
PC0	11	I/O/PU	General Purpose I/O
PB0	12	I/O/PU	General Purpose I/O
PB1	13	I/O/PU	General Purpose I/O
PB2	14	I/O/PU	General Purpose I/O
PB3	15	I/O/PU	General Purpose I/O
PB4	16	I/O/PU	General Purpose I/O
PB5	17	I/O/PU	General Purpose I/O
PB6, DBG_DATA	18	I/O/PU	General Purpose I/O, debugger data line
PB7, DBG_CLK	19	I/O/PU	General Purpose I/O, debugger clock line
DBG_EN	20	I/PD	In-Circuit Debugger Enable
RESET_N	21	I/PU	Optional reset pin. If this pin is not used it must be connected to VDD_IO
VDD_IO	22	P	Unregulated power supply
PA0	23	I/O/PU	General Purpose I/O
PA1	24	I/O/PU	General Purpose I/O
PA2	25	I/O/PU	General Purpose I/O
PA3	26	I/O/PU	General Purpose I/O
PA4	27	I/O/PU	General Purpose I/O
PA5	28	I/O/PU	General Purpose I/O
GND	Center pad	P	Ground on center pad of QFN, must be connected

A = analog signal
 I = digital input signal
 O = digital output signal
 PU = pull-up

I/O = digital input/output signal
 N = not to be connected
 P = power or ground
 PD = pull-down

All digital inputs are Schmitt trigger inputs, digital input and output levels are LVCMOS/LVTTL compatible. Port A Pins (PA0 - PA7) must not be driven above VDD_IO, all other digital inputs are 5V tolerant. Pull-ups are programmable for all GPIO pins.



3.1. Alternate Pin Functions

GPIO Pins are shared with dedicated Input/Output signals of on-chip peripherals. The following table lists the available functions on each GPIO pin.

GPIO	Alternate Functions			
PA0	T0OUT	IC1	ADC0	XTALP
PA1	T0CLK	OC1	ADC1	XTALN
PA2	OC0	U1RX	ADC2	COMPI00
PA3	T1OUT		ADC3	LPXTALP
PA4	T1CLK	COMPO0	ADC4	LPXTALN
PA5	IC0	U1TX	ADC5	COMPI10
PB0	U1TX	IC1	EXTIRQ0	
PB1	U1RX	OC1		
PB2	IC0	T2OUT		
PB3	OC0	T2CLK	EXTIRQ1	DSWAKE
PB4	U0TX	T1CLK		
PB5	U0RX	T1OUT		
PB6	DBG_DATA			
PB7	DBG_CLK			
PC0	SSEL	T0OUT	EXTIRQ0	
PC1	SSCK	T0CLK	COMPO1	
PC2	SMOSI	U0TX		
PC3	SMISO	U0RX	COMPO0	
PR0	RSEL			
PR1	RSYSCLK			
PR2	RCLK			
PR3	RMISO			
PR4	RMOSI			
PR5	RIRQ			



3.2. Pinout Drawing

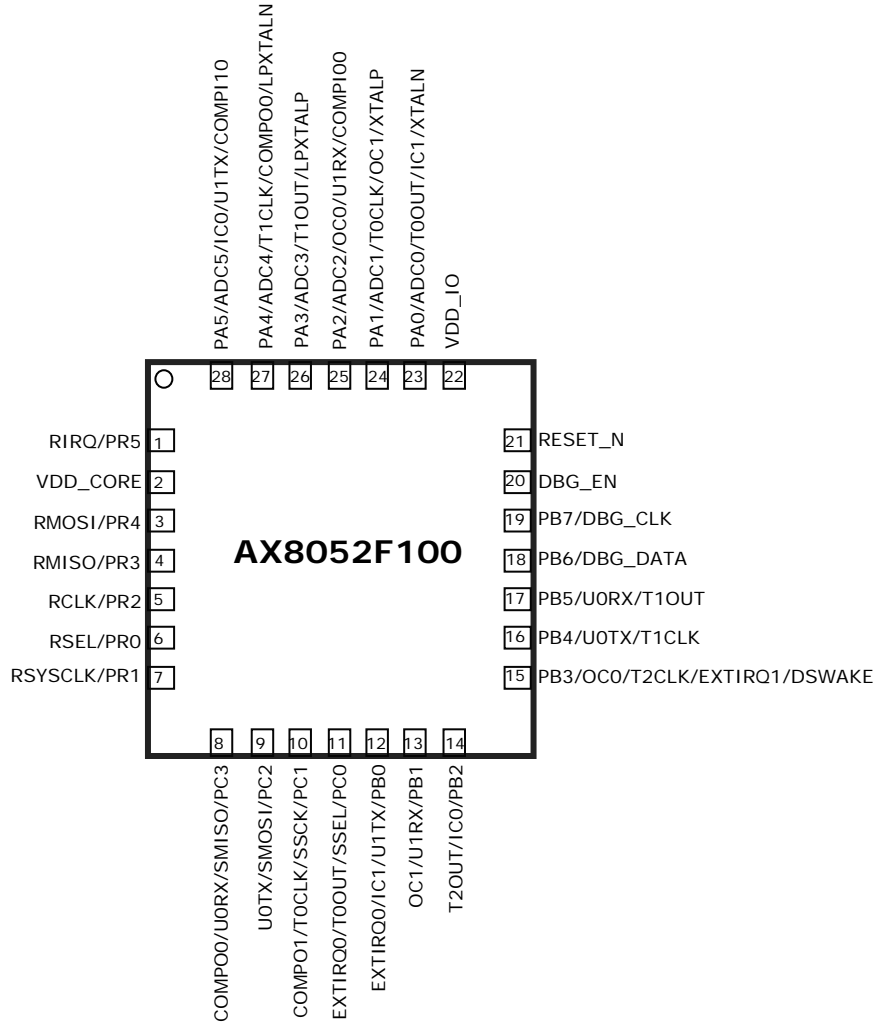


Figure 2 Pin-out drawing (Top view)



4. Specifications

4.1. Absolute Maximum Ratings

Stresses above those listed under Absolute Maximum Ratings may cause permanent damage to the device.

This is a stress rating only; functional operation of the device at these or any other conditions above those listed in the operational sections of this specification is not implied.

Exposure to absolute maximum rating conditions for extended periods may affect device reliability.

SYMBOL	DESCRIPTION	CONDITION	MIN	MAX	UNIT
VDD_IO	Supply voltage		-0.5	5.5	V
IDD	Supply current			100	mA
P _{TOT}	Total power consumption			800	mW
I _{I1}	DC current into any pin		-10	10	mA
I _{I2}	DC current into pins		-100	100	mA
I _O	Output Current			40	mA
V _{ia}	Input Voltage digital pins		-0.5	5.5	V
V _{es}	Electrostatic handling	HBM	-2000	2000	V
T _{amb}	Operating temperature		-40	85	°C
T _{stg}	Storage temperature		-65	150	°C
T _j	Junction Temperature			150	°C



4.2. DC Characteristics

Supplies

SYMBOL	DESCRIPTION	CONDITION	MIN	TYP	MAX	UNIT
T_{AMB}	Operational ambient temperature		-40	27	85	°C
VDD_IO	I/O and voltage regulator supply voltage		1.8	3.0	3.6	V
VDD _{IO,R1}	I/O voltage ramp for reset activation; Note 1	Ramp starts at VDD_IO ≤ 0.1V	0.1			V/ms
VDD _{IO,R2}	I/O voltage ramp for reset activation; Note 1	Ramp starts at 0.1V < VDD_IO < 0.7V	3.3			V/ms
V _{BOUT}	Brown-out Threshold	Note 2		1.3		V
I _{DEEPSLEEP}	Deep Sleep current			50		nA
I _{SLEEP256PIN}	Sleep current, 256 Bytes RAM retained	Wakeup from dedicated pin		450		nA
I _{SLEEP256}	Sleep current, 256 Bytes RAM retained	Wakeup Timer running at 640 Hz		850		nA
I _{SLEEP4K}	Sleep current, 4.25 kBytes RAM retained	Wakeup Timer running at 640 Hz		1.5		μA
I _{SLEEP8K}	Sleep current, 8.25 kBytes RAM retained	Wakeup Timer running at 640 Hz		2.2		μA
I _{MCU}	Micro-controller Running Power consumption	All peripherals disabled		150		μA/MHz
I _{VSUP}	Voltage Supervisor	Run and Standby mode		85		μA
I _{XTALOSC}	Crystal oscillator current	20 MHz		160		μA
I _{LFXTALOSC}	Low Frequency Crystal Oscillator current	32 kHz		700		nA
I _{RCOSC}	Internal Oscillator current	20 MHz		210		μA
I _{LPOSC}	Internal Low Power Oscillator current	10 kHz		650		nA
		640 Hz		210		nA
I _{ADC}	ADC current	311 kSample/s, DMA 5 MHz		1.1		mA

Notes

1. If VDD_IO ramps cannot be guaranteed, an external reset circuit is recommended, see the AX8052 Application Note: Power On Reset
2. Digital circuitry is functional down to typically 1V



Logic

SYMBOL	DESCRIPTION	CONDITION	MIN	TYP	MAX	UNIT
DIGITAL INPUTS						
V_{T+}	Schmitt trigger low to high threshold point	$V_{DD_IO} = 3.3V$		1.55		V
V_{T-}	Schmitt trigger high to low threshold point			1.25		V
V_{IL}	Input voltage, low				0.8	V
V_{IH}	Input voltage, high		2.0			V
V_{IPA}	Input voltage range, Port A		-0.5		V_{DD_IO}	V
V_{IPBC}	Input voltage range, Ports B, C		-0.5		5.5	V
I_L	Input leakage current		-10		10	μA
R_{PU}	Programmable Pull-Up Resistance			65		$k\Omega$
DIGITAL OUTPUTS						
I_{OH}	P[ABC]x Output Current, high	$V_{OH} = 2.4V$	8			mA
I_{OL}	P[ABC]x Output Current, low	$V_{OL} = 0.4V$	8			mA
I_{PROH}	PRx Output Current, high	$V_{OH} = 2.4V$	2			mA
I_{PROL}	PRx Output Current, low	$V_{OL} = 0.4V$	2			mA
I_{OZ}	Tri-state output leakage current		-10		10	μA

4.3. AC Characteristics

Crystal Oscillator

SYMBOL	DESCRIPTION	CONDITION	MIN.	TYP.	MAX.	UNIT
f_{XTAL}	Crystal frequency		8		20	MHz
$g_{m_{XOSC}}$	Transconductance oscillator Note 2	XTALOSCGM=0001		0.5		mS
		XTALOSCGM=0010		1.0		
		XTALOSCGM=1110		4.5		
		XTALOSCGM=1111		11.0		
$R_{IN_{XOSC}}$	Input DC impedance		10			$k\Omega$

Notes

- During normal operation the oscillator transconductance is automatically adjusted for lowest power consumption



Low Frequency Crystal Oscillator

SYMBOL	DESCRIPTION	CONDITION	MIN	TYP	MAX	UNIT
f_{LPXTAL}	Crystal frequency			32	150	kHz
gm_{Ipxosc}	Transconductance oscillator	LXOSCGM=00110		3.5		μS
		LXOSCGM=01000		4.6		
		LXOSCGM=01100		6.9		
		LXOSCGM=10000		9.1		
RIN_{Ipxosc}	Input DC impedance		10			$M\Omega$

Internal Low Power Oscillator

SYMBOL	DESCRIPTION	CONDITION	MIN	TYP	MAX	UNIT
f_{LPOSC}	Oscillation Frequency	LPOSCFAST=0 Factory calibration applied. Over the full temperature and voltage range	630	640	650	Hz
		LPOSCFAST=1 Factory calibration applied. Over the full temperature and voltage range	10.08	10.24	10.39	kHz

Internal RC Oscillator

SYMBOL	DESCRIPTION	CONDITION	MIN	TYP	MAX	UNIT
F_{FRCOSC}	Oscillation Frequency	Factory calibration applied. Over the full temperature and voltage range	19.8	20	20.2	MHz



Microcontroller

SYMBOL	DESCRIPTION	CONDITION	MIN	TYP	MAX	UNIT
T _{SYCLKL}	SYCLK Low		27			ns
T _{SYCLKH}	SYCLK High		21			ns
T _{SYCLKP}	SYCLK Period		47			ns
T _{FLWR}	FLASH Write Time	2 Bytes		20		μs
T _{FLPE}	FLASH Page Erase	1 kBytes		2		ms
T _{FLE}	FLASH Secure Erase	64 kBytes		10		ms
T _{FLEND}	FLASH Endurance: Erase Cycles		10 000	100 000		Cycles
T _{FLRERoom}	FLASH Data Retention	25°C See Figure 3 for the lower limit set by the memory qualification	100			Years
T _{FLREHot}		85°C See Figure 3 for the lower limit set by the memory qualification	10			

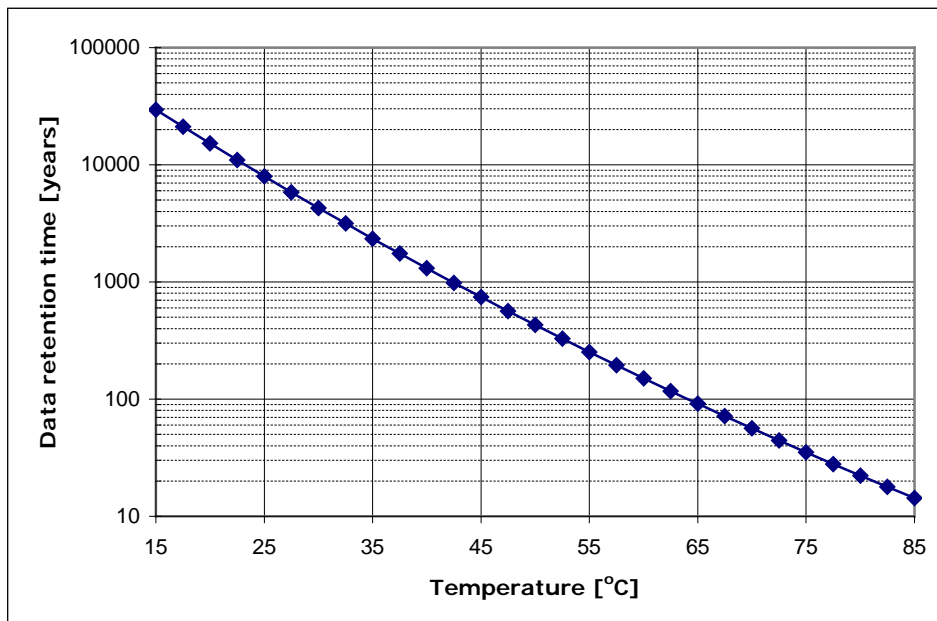


Figure 3 FLASH memory qualification limit for data retention after 10k erase cycles



ADC / Comparator / Temperature Sensor

SYMBOL	DESCRIPTION	CONDITION	MIN	TYP	MAX	UNIT
ADCSR	ADC sampling rate GPADC mode		30		500	kHz
ADCSR_T	ADC sampling rate temperature sensor mode		10	15.6	30	kHz
ADCRES	ADC resolution			10		Bits
V _{ADCREf}	ADC reference voltage & comparator internal reference voltage		0.95	1	1.05	V
Z _{ADC00}	Input capacitance				2.5	pF
DNL	Differential nonlinearity				+/- 1	LSB
INL	Integral nonlinearity			+/- 1		LSB
OFF	Offset			3		LSB
GAIN_ERR	Gain error			0.8		%
ADC in Differential Mode						
V _{ABS_DIFF}	Absolute voltages & common mode voltage in differential mode at each input		0		VDD_IO	V
V _{FS_DIFF01}	Full swing input for differential signals	Gain x1	-500		500	mV
V _{FS_DIFF10}		Gain x10	-50		50	mV
ADC in Single Ended Mode						
V _{MID_SE}	Mid code input voltage in single ended mode			0.5		V
V _{IN_SE00}	Input voltage in single ended mode		0		VDD_IO	V
V _{FS_SE01}	Full swing input for single ended signals	Gain x1	0		1	V
V _{FS_SE10}		Gain x10	0.45		0.55	V
Comparators						
V _{COMP_ABS}	Comparator absolute input voltage		0		VDD_IO	V
V _{COMP_COM}	Comparator input common mode		0		VDD_IO-0.8	V
V _{COMP OFF}	Comparator input offset voltage				20	mV
Temperature Sensor						
T _{RNG}	Temperature range		-40		85	°C
T _{RES}	Temperature resolution			0.1607		°C/LSB
T _{ERR_CAL}	Temperature error	Factory calibration applied	-2		+2	°C



5. Circuit Description

The **AX8052F100** is a single chip ultra-lowpower microcontroller primarily for use in radio applications. The **AX8052F100** contains a high speed microcontroller compatible to the industry standard 8052 instruction set. It contains 64 kBytes of FLASH and 8.25 kBytes of internal SRAM. The **AX8052F100** features 3 16-bit general purpose timers with $\Sigma\Delta$ capability, 2 output compare units for generating PWM signals, 2 input compare units to record timings of external signals, 2 16-bit wakeup timers, a watchdog timer, 2 UARTs, a Master/Slave SPI controller, a 10-bit 500 kSample/s A/D converter, 2 analog comparators, a temperature sensor, a 2 channel DMA controller, and a dedicated AES crypto controller. Debugging is aided by a dedicated hardware debug interface controller that connects using a 3-wire protocol (1 dedicated wire, 2 shared with GPIO) to the PC hosting the debug software.

The system clock that clocks the microcontroller, as well as peripheral clocks, can be selected from one of the following clock sources: the crystal oscillator, an internal high speed 20 MHz oscillator, an internal low speed 640 Hz/10 kHz oscillator, or the low frequency crystal oscillator. Pre-scalers offer additional flexibility with their programmable divide by a power of two capability. To improve the accuracy of the internal oscillators, both oscillators may be slaved to the crystal oscillator.

AX8052F100 can be operated from a 1.8 V to 3.6 V power supply over a temperature range of -40°C to 85°C. The **AX8052F100** features make it an ideal interface for integration into various battery powered SRD solutions such as ticketing or as transceiver for telemetric applications e.g. in sensors.



5.1. Microcontroller

The **AX8052F100** microcontroller core executes the industry standard 8052 instruction set. Unlike the original 8052, many instructions are executed in a single cycle. The system clock and thus the instruction rate can be programmed freely from DC to 20 MHz.

Memory Architecture

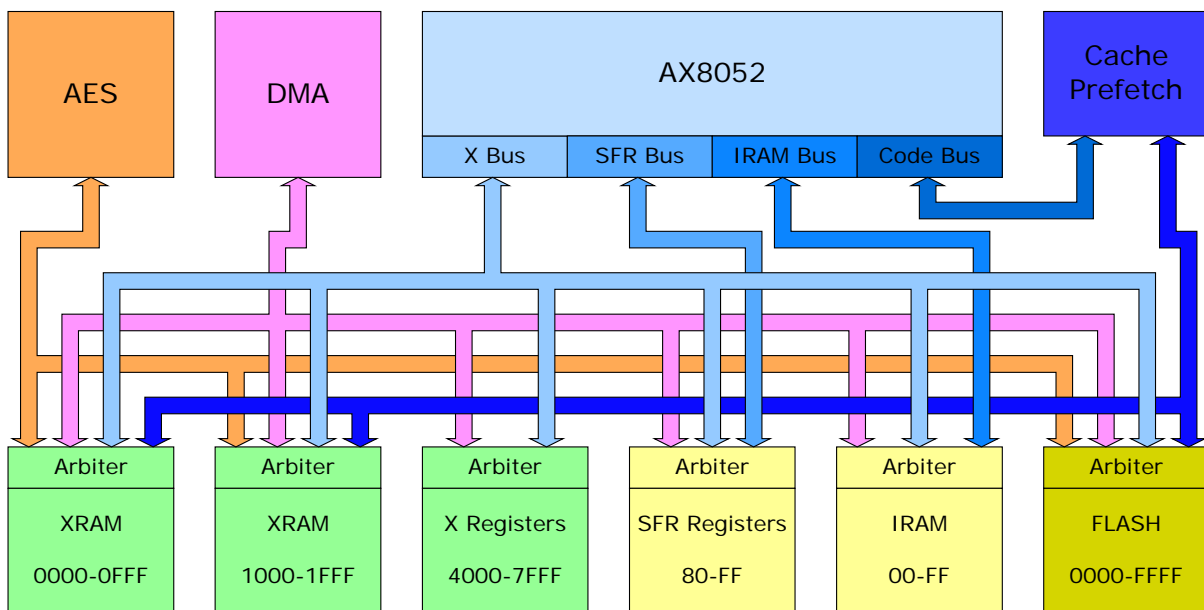


Figure 4 AX8052 Memory Architecture

The AX8052 Microcontroller features the highest bandwidth memory architecture of its class. Figure 4 shows the memory architecture. Three bus masters may initiate bus cycles:

- The AX8052 Microcontroller Core
- The Direct Memory Access (DMA) Engine
- The Advanced Encryption Standard (AES) Engine

Bus targets include:

- Two individual 4 kBytes RAM blocks located in X address space, which can be simultaneously accessed and individually shut down or retained during sleep mode
- A 256 Byte RAM located in internal address space, which is always retained during sleep mode
- A 64 kBytes FLASH memory located in code space.
- Special Function Registers (SFR) located in internal address space accessible using direct address mode instructions
- Additional Registers located in X address space (X Registers)



The upper half of the FLASH memory may also be accessed through the X address space. This simplifies and makes the software more efficient by reducing the need for generic pointers¹.

SFR Registers are also accessible through X address space, enabling indirect access to SFR registers. This allows driver code for multiple identical peripherals (such as UARTs or Timers) to be shared.

The 4 word × 16 bit fully associative cache and a pre-fetch controller hide the latency of the FLASH.

The AX8052 Memory Architecture is fully parallel. All bus masters may simultaneously access different bus targets during each system clock cycle. Each bus target includes an arbiter that resolves access conflicts. Each arbiter ensures that no bus master can be starved.

Both 4 kBytes RAM blocks may be individually retained or switched off during sleep mode. The 256 Byte RAM is always retained during sleep mode.

The AES engine accesses memory 16bits at a time. It is therefore slightly faster to align its buffers on even addresses.

Memory Map

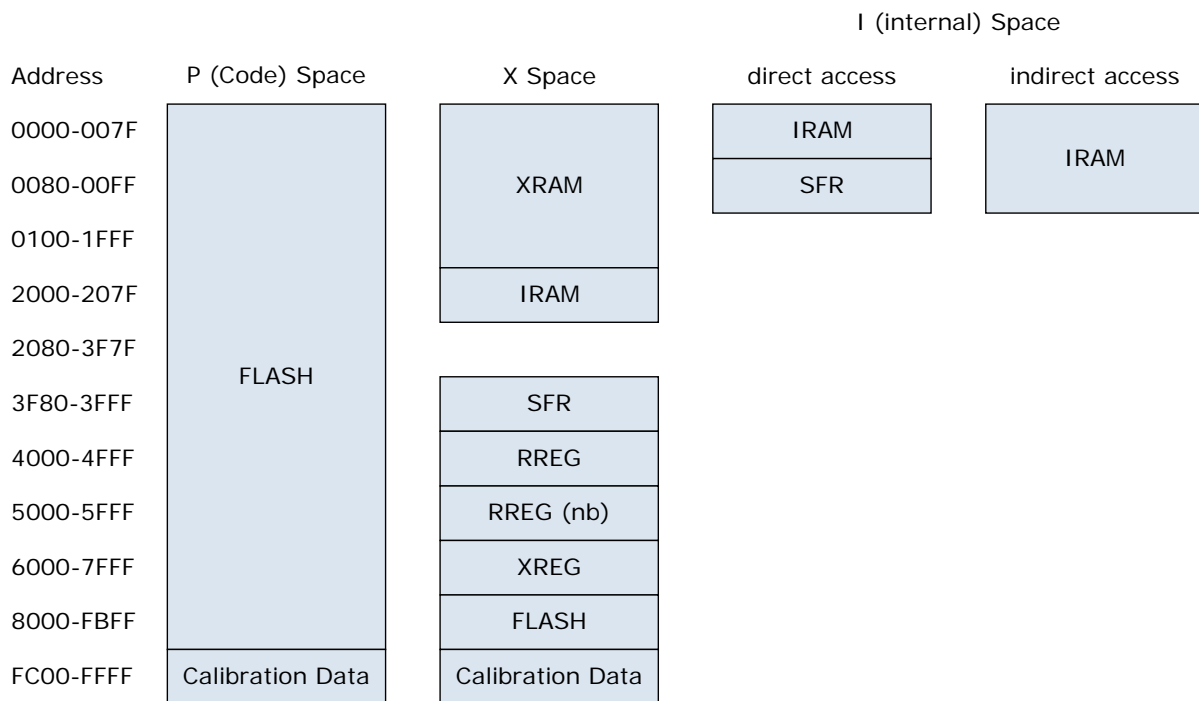


Figure 5 AX8052 Memory Map

The AX8052, like the other industry standard 8052 compatible microcontrollers, uses a Harvard architecture. Multiple address spaces are used to access code and data. Figure 5 shows the AX8052 memory map.

¹ Generic pointers include, in addition to the address, an address space tag.



The AX8052 uses P or Code Space to access its program. Code space may also be read using the MOV_C instruction.

Smaller amounts of data can be placed in the Internal² or Data Space. A distinction is made in the upper half of the Data Space between direct accesses (MOV reg,addr; MOV addr,reg) and indirect accesses (MOV reg,@Ri; MOV @Ri,reg; PUSH; POP); Direct accesses are routed to the Special Function Registers, while indirect accesses are routed to the internal RAM.

Large amounts of data can be placed in the External or X Space. It can be accessed using the MOV_X instructions. Special Function Registers, as well as additional Microcontroller Registers (XREG) and the Radio Registers (RREG) are also mapped into the X Space.

Detailed documentation of the Special Function Registers (SFR) and additional Microcontroller Registers can be found in the AX8052 Programming Manual.

The Radio Registers are documented in the Programming Manual of the connected Radio chip. Register Addresses given in the Radio chip's Programming Manual are relative to the beginning of RREG, i.e. 0x4000 must be added to these addresses. If an AXSEM Radio chip is connected, the appropriate AXSEM provided ax8052f1xx.h header file should be used.

Normally, accessing Radio Registers through the RREG address range is adequate. Since Radio Register accesses have a higher latency than other AX8052 registers, the AX8052 provides a method for non-blocking access to the Radio Registers. Accessing the RREG (nb) address range initiates a Radio Register access, but does not wait for its completion. The details of mechanism is documented in the Radio Interface section of the AX8052 Programming Manual.

The FLASH memory is organized as 64 pages of 1 kBytes each. Each page can be individually erased. The write word size is 16 Bits. The last 1 kByte page is dedicated to factory calibration data and should not be overwritten.

² The origin of Internal versus External (X) Space is historical. External Space used to be outside of the chip on the original 8052 Microcontrollers.



Power Management

The micro-controller supports the following power modes:

<i>PCON</i> register	Name	Description
00	RUNNING	The microcontroller and all peripherals are running. Current consumption depends on the system clock frequency and the enabled peripherals and their clock frequency.
01	STANDBY	The microcontroller is stopped. All register and memory contents are retained. All peripherals continue to function normally. Current consumption is determined by the enabled peripherals. STANDBY is exited when any of the enabled interrupts become active.
10	SLEEP	The micro-controller and its peripherals, except GPIO and the system controller, are shut down. Their register settings are lost. The internal RAM is retained. The external RAM is split into two 4 kByte blocks. Software can determine individually for both blocks whether contents of that block are to be retained or lost. SLEEP can be exited by any of the enabled GPIO or system controller interrupts. For most applications this will be a GPIO or wakeup timer interrupt.
11	DEEPSLEEP	The micro-controller, all peripherals and the transceiver are shut down. Only 4 bytes of scratch RAM are retained. DEEPSLEEP can only be exited by tying the PB3 pin low.

Clocking

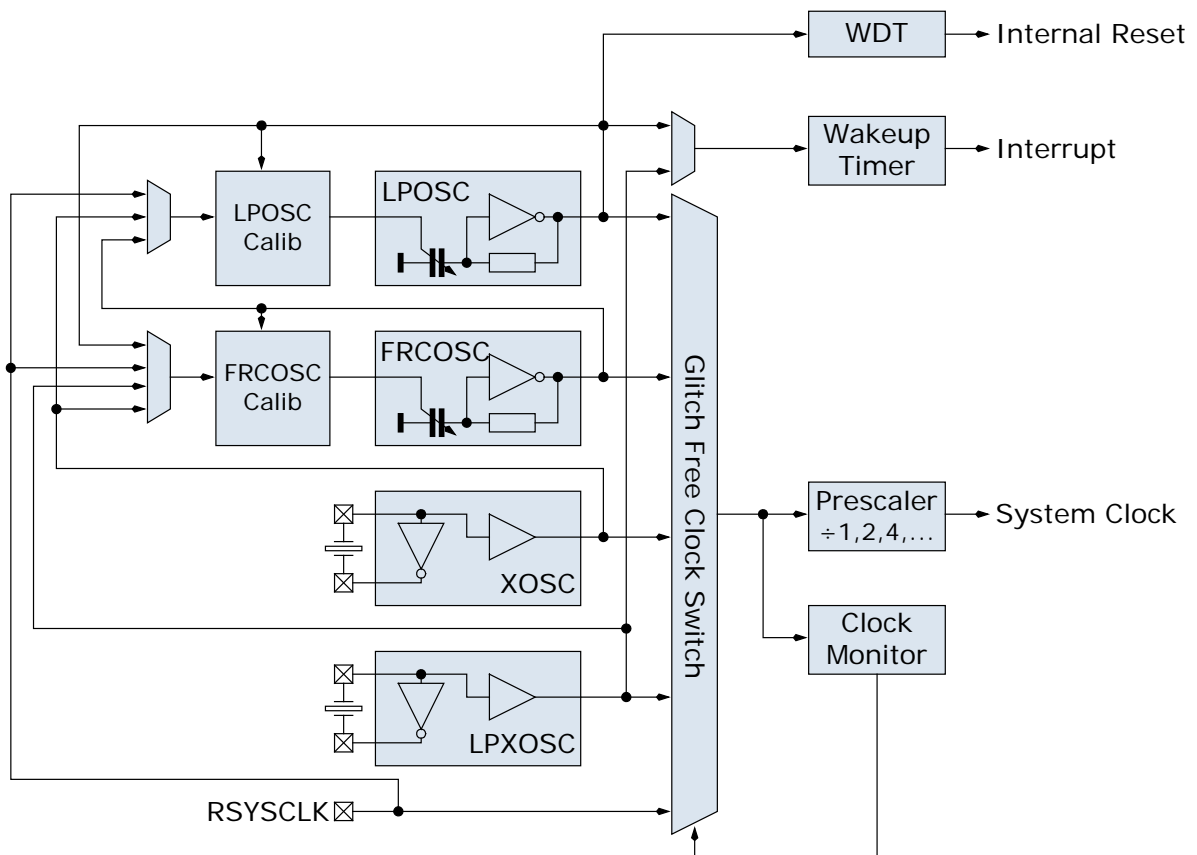


Figure 6 Clock System Diagram



The system clock can be derived from any of the following clock sources:

- The crystal oscillator
- The low speed crystal oscillator
- The internal high speed RC (20 MHz) oscillator
- The internal low power (640 Hz/10 kHz) oscillator

An additional pre-scaler allows the selected oscillator to be divided by a power of two. After reset, the microcontroller starts with the internal high speed RC oscillator selected and divided by two. I.e. at start-up, the micro-controller runs with 10 MHz \pm 10%. Clocks may be switched any time by writing to the **CLKCON** register. In order to prevent clock glitches, the switching takes approximately $2 \cdot (T_1 + T_2)$, where T_1 and T_2 are the periods of the old and the new clock. Switching may take longer if the new oscillator first has to start up. Internal oscillators start up instantaneously, but crystal oscillators may take a considerable amount of time to start the oscillation. **CLKSTAT** can be read to determine the clock switching status.

A programmable clock monitor resets the **CLKCON** register when no system clock transitions are found during a programmable time interval, thus reverts to the internal RC oscillator.

Both internal oscillators can be slaved to one of the crystal oscillators to increase the accuracy of the oscillation frequency. While the reference oscillator runs, the internal oscillator is slaved to the reference frequency by a digital frequency locked loop. When the reference oscillator is switched off, the internal oscillator continues to run unslaved with the last frequency setting.

Reset and Interrupts

After reset, the microcontroller starts executing at address 0x0000. All registers except **SCRATCH0...SCRATCH3** are set to default values. RAM is either retained (SLEEP mode) or undefined.

Several events can lead to resetting the micro-controller core:

- POR or hardware RESET_N pin activated and released
- Leaving SLEEP or DEEPSLEEP mode
- Watchdog Reset
- Software Reset

The reset cause can be determined by reading the **PCON** register.

After POR or reset all registers are set to their default values.

AX8052F100 has an integrated power-on-reset block which is edge sensitive to VDD_IO. For many common application cases no external reset circuitry is required. However, if VDD_IO ramps cannot be guaranteed, an external reset circuit is recommended. For detailed recommendations and requirements see the AX8052 Application Note: Power On Reset.

The RESET_N pin contains a weak pull-up. However, it is strongly recommended to connect the RESET_N pin to VDD_IO if not used, for additional robustness.



The micro-controller supports 22 interrupt sources. Each interrupt can be individually enabled and can be programmed to have one of two possible priorities. The interrupt vectors are located at 0x0003, 0x000B, ..., 0x00AB.

Debugging

A hardware debug unit considerably eases debugging compared to other 8052 microcontrollers. It allows to reliably stop the micro-controller at breakpoints even if the stack is smashed. The debug unit communicates with the host PC running the debugger using a 3 wire interface. One wire is dedicated (DBG_EN), while two wires are shared with GPIO pins (PB6, PB7). When DBG_EN is driven high, PB6 and PB7 convert to debug interface pins and the GPIO functionality is no longer available. A pin emulation feature however allows bits PINB[7:6] to be set and PORTB[7:6] and DIRB[7:6] to be read by the debugger software. This allows for example switches or LEDs connected to the PB6, PB7 pins to be emulated in the debugger software whenever the debugger is active.

In order to protect the intellectual property of the firmware developer, the debug interface can be locked using a developer-selectable 64-bit key. The debug interface is then disabled and can only be enabled with the knowledge of this 64-bit key. Therefore, unauthorized persons cannot read the firmware through the debug interface, but debugging is still possible for authorized persons. Secure erase can be initiated without key knowledge; secure erase ensures that the main FLASH array is completely erased before erasing the key, reverting the chip into factory state.

The DebugLink peripheral looks like an UART to the microcontroller, and allows exchange of data between the micro-controller and the host PC without disrupting program execution.



5.2. Timer, Output Compare and Input Capture

The **AX8052F100** features three general purpose 16-bit timers. Each timer can be clocked by the system clock, any of the available oscillators, or a dedicated input pin. The timers also feature a programmable clock inversion, a programmable prescaler that can divide by powers of two, and an optional clock synchronisation logic that synchronises the clock to the system clock. All three counters are identical and feature four different counting modes, as well as a $\Sigma\Delta$ mode that can be used to output an analog value on a dedicated digital pin only employing a simple RC lowpass filter.

Two output compare units work in conjunction with one of the timers to generate PWM signals.

Two input capture units work in conjunction with one of the timers to measure transitions on an input signal.

For software timekeeping, two additional 16 bit wakeup timers with 4 16-bit event registers are provided, generating an interrupt on match events.

5.3. UART

The **AX8052F100** features two universal asynchronous receiver transmitters. They use one of the timers as baud rate generator. Word length can be programmed from 5 to 9 bits.

5.4. Dedicated Radio SPI Master Controller

The **AX8052F100** features a dedicated Radio master SPI controller. It is compatible with AXSEM RF chips as well as some third party SPI slave devices. It features efficient access by the CPU. RF IC registers are mapped into the CPU X address space.

5.5. SPI Master/Slave Controller

The **AX8052F100** features a master/slave SPI controller. Both 3 and 4 wire SPI variants are supported. In master mode, any of the on-chip oscillators or the system clock may be selected as clock source. An additional pre-scaler with divide by two capability provides additional clocking flexibility. Shift direction, as well as clock phase and inversion, are programmable.



The **AX8052F100** contains an on-chip temperature sensor. Built-in calibration logic allows the temperature sensor to be calibrated in °C, °F or any other user defined temperature scale.

The **AX8052F100** also features two analog comparators. Each comparator can either compare two voltages on dedicated PA pins, or one voltage against the internal 1 V reference. The comparator output can be routed to a dedicated digital output pin or can be read by software. The comparators are clocked with the system clock.

5.7. DMA Controller

The **AX8052F100** features a dual channel DMA engine. Each DMA channel can either transfer data from XRAM to almost any peripheral on chip, or from almost any peripheral to XRAM. Both channels may also be cross-linked for memory-memory transfers. The DMA channels use buffer descriptors to find the buffers where data is to be retrieved or placed, thus enabling very flexible buffering strategies.

The DMA channels access XRAM in a cycle steal fashion. They access XRAM whenever XRAM is not used by the micro-controller. Their priority is lower than the micro-controller, thus interfering very little with the micro-controller. Additional logic prevents starvation of the DMA controller.

5.8. AES Engine

The **AX8052F100** contains a dedicated engine for the government mandated Advanced Encryption Standard (AES). It features a dedicated DMA engine and reads input data as well as key stream data from the XRAM, and writes output data into a programmable buffer in the XRAM. The round number is programmable; the chip therefore supports AES-128, AES-192, and AES-256, as well as higher security proprietary variants. Key stream (key expansion) is performed in software, adding to the flexibility of the AES engine. ECB (electronic codebook), CFB (cipher feedback) and OFB (output feedback) modes are directly supported without software intervention. In conjunction with the true random number generator a high degree of security can be achieved.

5.9. Crystal Oscillator

The on-chip crystal oscillator allows the use of an inexpensive quartz crystal as timing reference. Normally, the oscillator operates fully automatically. It is powered on whenever the system clock or any peripheral clock is programmed to be derived from the crystal clock. To hide crystal startup latencies, the oscillator may also be forced on using the **OSCFORCERUN** register.

The transconductance of the oscillator is automatically controlled to ensure fast startup and low steady state current consumption. For lowest phase noise applications, transconductance may be programmed manually using the **XTALOSC** register.

5.10. Ports

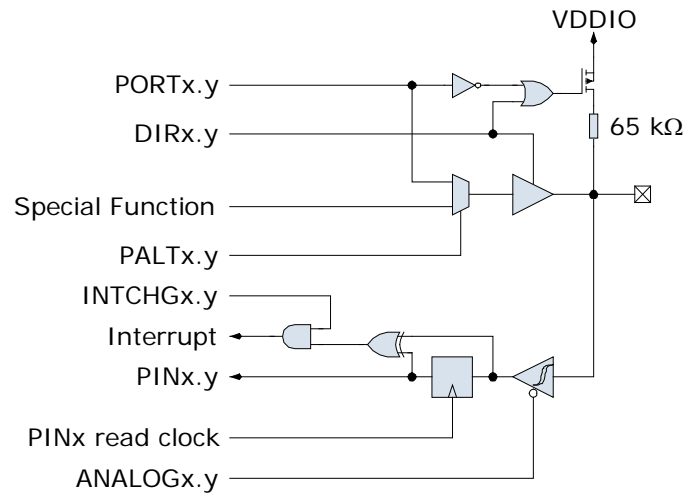


Figure 8 Port Pin Schematic

Figure 8 shows the GPIO logic. The DIR register bit determines whether the port pin acts as an output (1) or an input (0).

If configured as an output, the PALT register bit determines whether the port pin is connected to a peripheral output (1), or used as a GPIO pin (0). In the latter case, the PORT register bit determines the port pin drive value.

If configured as an input, the PORT register bit determines whether a pull-up resistor is enabled (1) or disabled (0). Inputs have schmitt-trigger characteristic. Port A inputs may be disabled by setting the ANALOGA register bit; this prevents additional current consumption if the voltage level of the port pin is mid-way between logic low and logic high, when the pin is used as an analog input.

Port A, B and C pins may interrupt the microcontroller if their level changes. The INTCHG register bit enables the interrupt. The PIN register bit reflects the value of the port pin. Reading the PIN register also resets the interrupt if interrupt on change is enabled.



6. Application Information

6.1. Typical Application Diagram

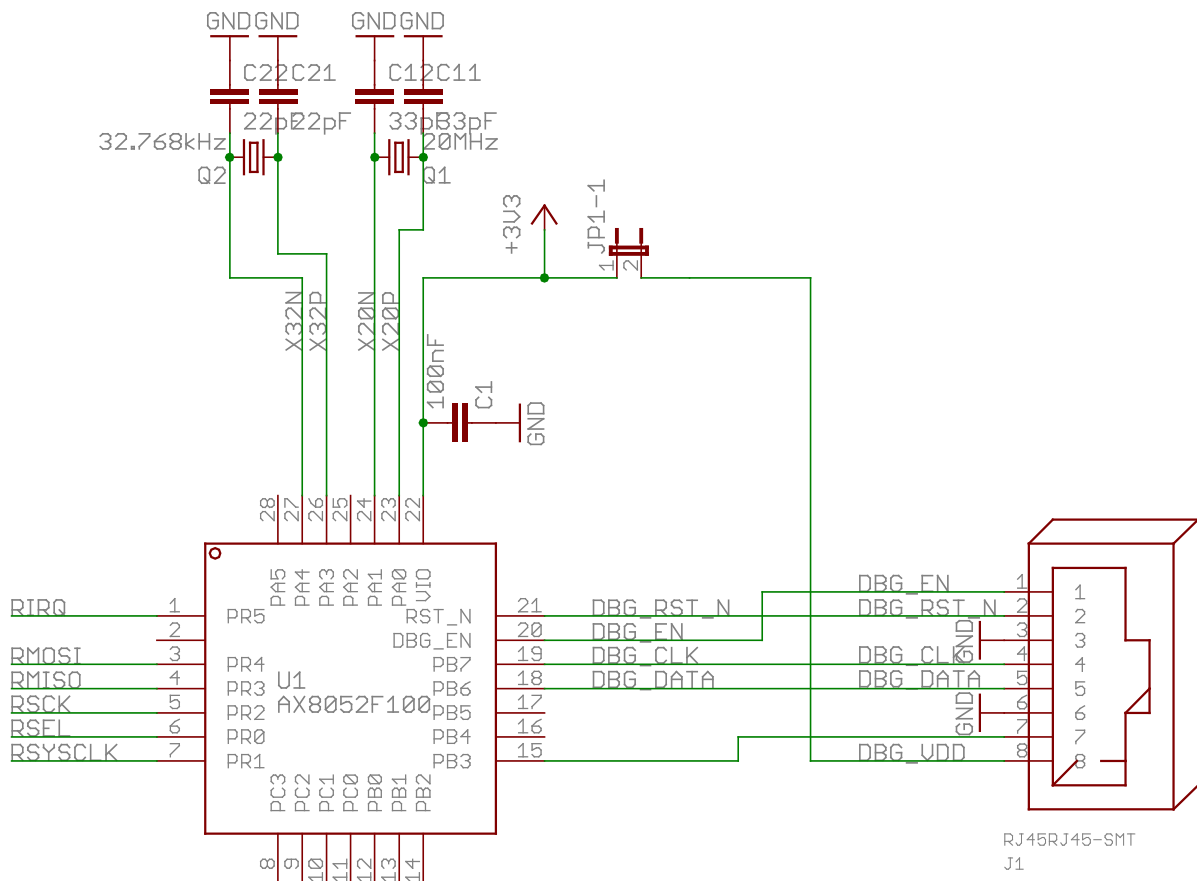


Figure 9 Typical Application Diagram

Figure 9 shows a typical application schematic.

Short Jumper JP1-1 if it is desired to supply the target board from the Debug Adapter (50mA max). Connect the bottom exposed pad of the **AX8052F100** to ground.

If the debugger is not running, PB6 and PB7 are not driven by the Debug Adapter. If the debugger is running, the PB6 and PB7 values the software reads may be set using the Pin Emulation feature of the debugger.

PB3 is driven by the debugger only to bring the **AX8052F100** out of Deep Sleep. It is high impedance otherwise.

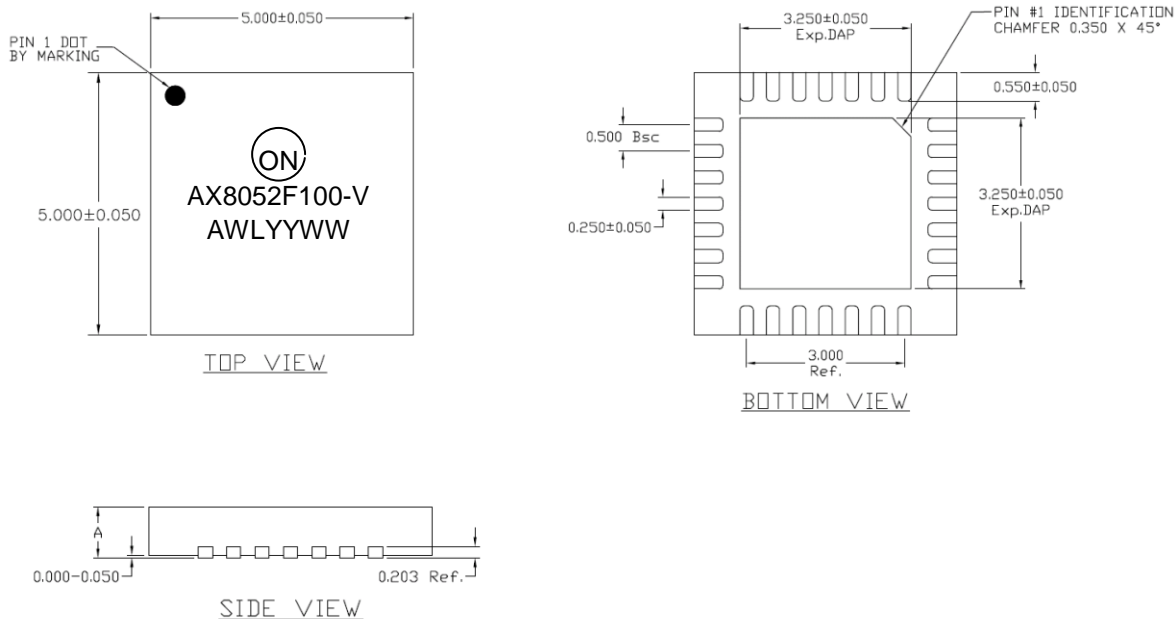
Port Pins PR0—PR5 may be used to connect an AXSEM Radio Chip, or as General Purpose I/O.

Crystals are optional. Crystal Load Capacitances should be chosen according to the Crystal Datasheet.



7. QFN28 Package Information

7.1. Package Outline QFN28



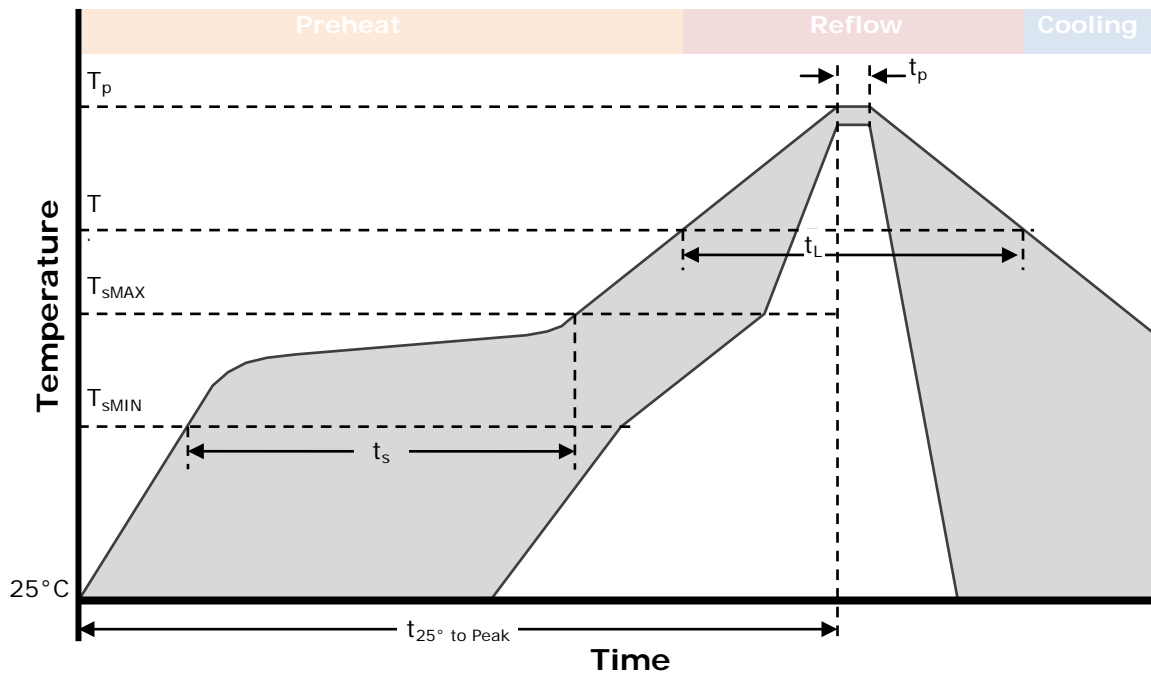
DIMENSION	MIN	TYP	MAX	UNIT
A	0.800	0.850	0.900	mm

Notes

1. JEDEC ref MO-220
2. All dimensions are in millimetres
3. Pin 1 is identified by chamfer on corner of exposed die pad.
4. Package warp shall be 0.050 maximum
5. Coplanarity applies to the exposed pad as well as the terminal
6. AWLYYWW is the packaging lot code
7. V is the device version
8. RoHS



7.2. QFN28 Soldering Profile



Profile Feature	Pb-Free Process
Average Ramp-Up Rate	3 °C/sec max.
Preheat Preheat	
Temperature Min	T_{sMIN} 150°C
Temperature Max	T_{sMAX} 200°C
Time (T_{sMIN} to T_{sMAX})	t_s 60 – 180 sec
Time 25°C to Peak Temperature	$T_{25^\circ \text{ to Peak}}$ 8 min max.
Reflow Phase	
Liquidus Temperature	T_L 217°C
Time over Liquidus Temperature	t_L 60 – 150 sec
Peak Temperature	t_p 260°C
Time within 5°C of actual Peak Temperature	T_p 20 – 40 sec
Cooling Phase	
Ramp-down rate	6°C/sec max.

Notes:

All temperatures refer to the top side of the package, measured on the package body surface.

7.3. QFN28 Recommended Pad Layout

1. PCB land and solder masking recommendations are shown in Figure 10.

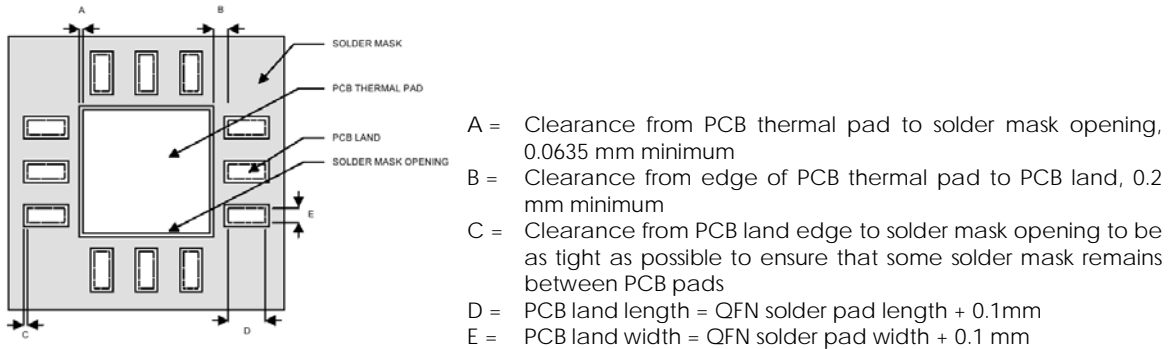


Figure 10 PCB land and solder mask recommendations

2. Thermal vias should be used on the PCB thermal pad (middle ground pad) to improve thermal conductivity from the device to a copper ground plane area on the reverse side of the printed circuit board. The number of vias depends on the package thermal requirements, as determined by thermal simulation or actual testing.
3. Increasing the number of vias through the printed circuit board will improve the thermal conductivity to the reverse side ground plane and external heat sink. In general, adding more metal through the PC board under the IC will improve operational heat transfer, but will require careful attention to uniform heating of the board during assembly.

7.4. Assembly Process

Stencil Design & Solder Paste Application

1. Stainless steel stencils are recommended for solder paste application.
2. A stencil thickness of 0.125 – 0.150 mm (5 – 6 mils) is recommended for screening.
3. For the PCB thermal pad, solder paste should be printed on the PCB by designing a stencil with an array of smaller openings that sum to 50% of the QFN exposed pad area. Solder paste should be applied through an array of squares (or circles) as shown in Figure 11.
4. The aperture opening for the signal pads should be between 50-80% of the QFN pad area as shown in Figure 12.
5. Optionally, for better solder paste release, the aperture walls should be trapezoidal and the corners rounded.
6. The fine pitch of the IC leads requires accurate alignment of the stencil and the printed circuit board. The stencil and printed circuit assembly should be aligned to within + 1 mil prior to application of the solder paste.
7. No-clean flux is recommended since flux from underneath the thermal pad will be difficult to clean if water-soluble flux is used.

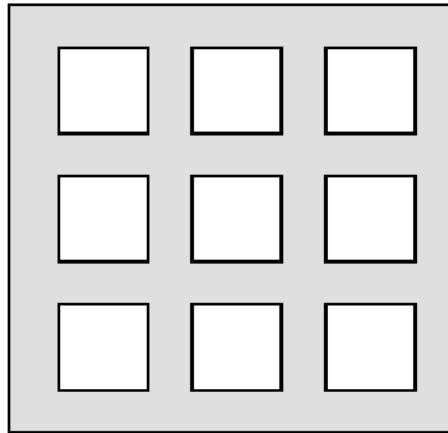


Figure 11 Solder paste application on exposed pad

Minimum
50% coverage

62% coverage

Maximum
80% coverage

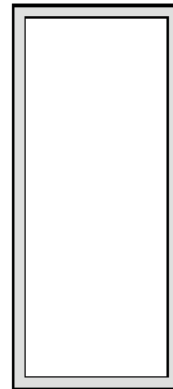
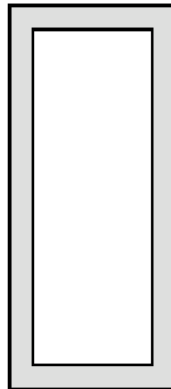
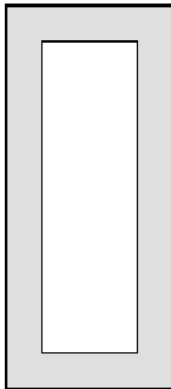


Figure 12 Solder paste application on pins



8. References


- [1] ON Semiconductor **AX8052** Programming Manual, see <http://www.onsemi.com>
- [2] ON Semiconductor **AX8052** Silicon Errata, see <http://www.onsemi.com>



9. Device Versions

The revision of the AX8052 silicon can be determined by the device marking or by reading the **SILICONREV** register. [2] documents the differences between silicon revisions.

Device Marking	AX8052 Version	SILICONREV
AX8052F100-1	1	0x8E (10001110)
AX8052F100-2	1C	0x8F (10001111)

ON Semiconductor and the  are registered trademarks of Semiconductor Components Industries, LLC (SCILLC) or its subsidiaries in the United States and/or other countries. SCILLC owns the rights to a number of patents, trademarks, copyrights, trade secrets, and other intellectual property. A listing of SCILLC's product/patent coverage may be accessed at www.onsemi.com/site/pdf/Patent-Marking.pdf. SCILLC reserves the right to make changes without further notice to any products herein. SCILLC makes no warranty, representation or guarantee regarding the suitability of its products for any particular purpose, nor does SCILLC assume any liability arising out of the application or use of any product or circuit, and specifically disclaims any and all liability, including without limitation special, consequential or incidental damages. "Typical" parameters which may be provided in SCILLC data sheets and/or specifications can and do vary in different applications and actual performance may vary over time. All operating parameters, including "Typicals" must be validated for each customer application by customer's technical experts. SCILLC does not convey any license under its patent rights nor the rights of others. SCILLC products are not designed, intended, or authorized for use as components in systems intended for surgical implant into the body, or other applications intended to support or sustain life, or for any other application in which the failure of the SCILLC product could create a situation where personal injury or death may occur. Should Buyer purchase or use SCILLC products for any such unintended or unauthorized application, Buyer shall indemnify and hold SCILLC and its officers, employees, subsidiaries, affiliates, and distributors harmless against all claims, costs, damages, and expenses, and reasonable attorney fees arising out of, directly or indirectly, any claim of personal injury or death associated with such unintended or unauthorized use, even if such claim alleges that SCILLC was negligent regarding the design or manufacture of the part. SCILLC is an Equal Opportunity/Affirmative Action Employer. This literature is subject to all applicable copyright laws and is not for resale in any manner.

PUBLICATION ORDERING INFORMATION

LITERATURE FULFILLMENT:

Literature Distribution Center for ON Semiconductor
 19521 E. 32nd Pkwy, Aurora, Colorado 80011 USA
 Phone: 303-675-2175 or 800-344-3860 Toll Free USA/Canada
 Fax: 303-675-2176 or 800-344-3867 Toll Free USA/Canada
 Email: orderlit@onsemi.com

N. American Technical Support: 800-282-9855 Toll Free
 USA/Canada

Europe, Middle East and Africa Technical Support:
 Phone: 421 33 790 2910

Japan Customer Focus Center
 Phone: 81-3-5817-1050

ON Semiconductor Website: www.onsemi.com

Order Literature: <http://www.onsemi.com/orderlit>

For additional information, please contact your local Sales Representative