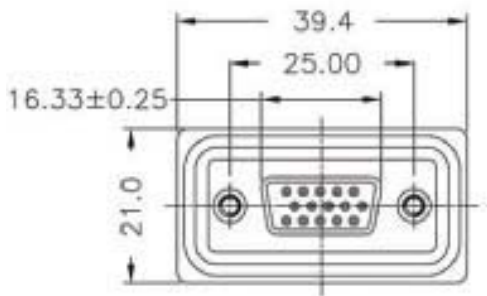
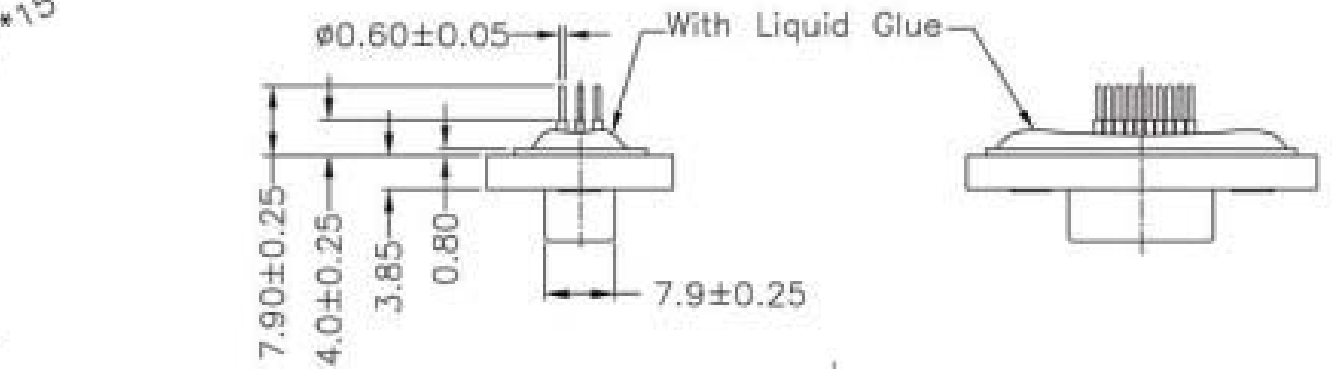
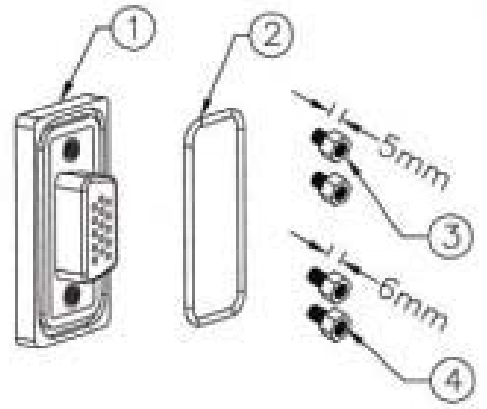
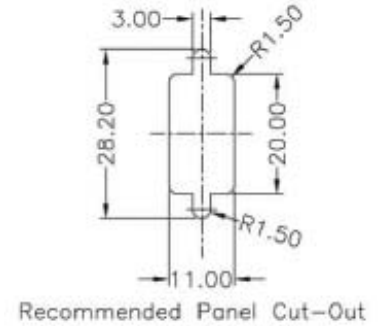


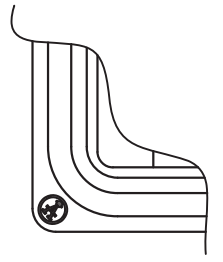
15 Pin Female Connector
PCB Pin Layout
Scale 2:1



Screw L=5.0 For Panel Thickness Under 1.2mm
Screw L=6.0 For Panel Thickness Between 1.2~2.0mm



- Material:**
- Waterproof Rate: IP67
 - Connector: Black, Nylon+GF
 - Pin: Copper Alloy, Gold Plated



Scale	1:1						Name
TOLERANCE					Drawn	11.30.11	Chappell
X.X	±0.40				Approved		
X.XX	±0.25						
X.XXX	±0.15						
Angle	±3°						
		Modification	Date	Name			

Item No.	A-HDF15PP-WP-R	
Title	D-Sub, High Density, Female, 15 Pin, 180°	
Drawing No.		rev00
Replace		Sheet