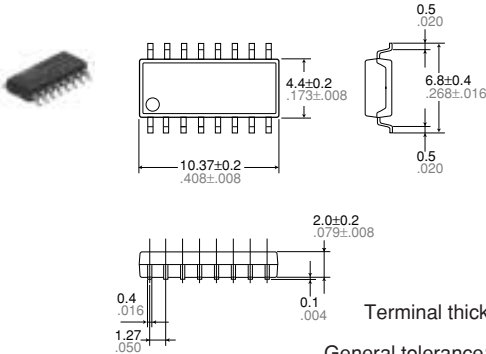
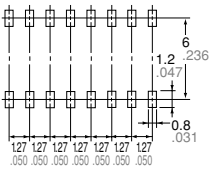
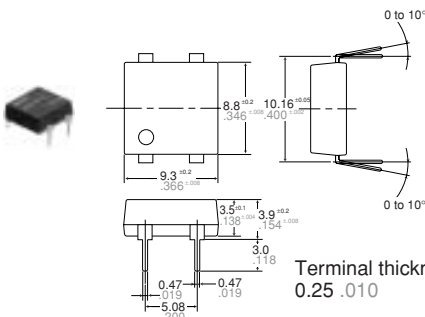
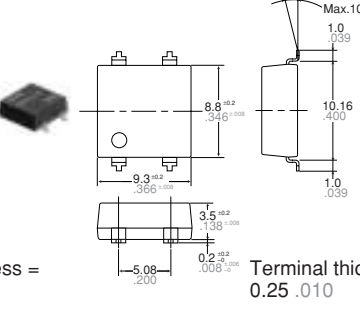
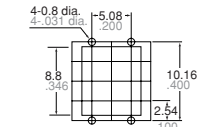
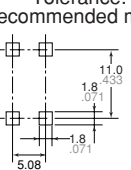
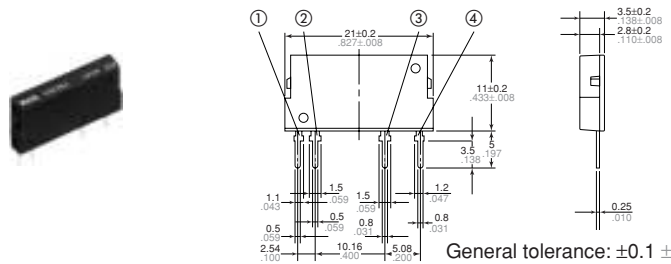
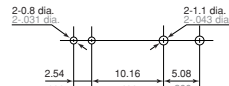
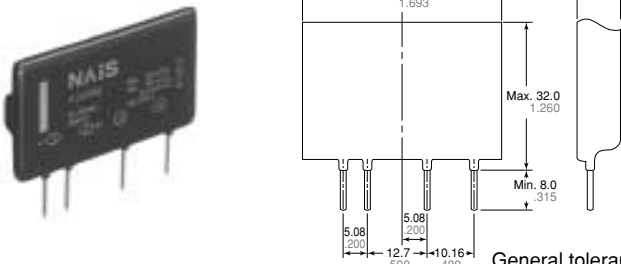
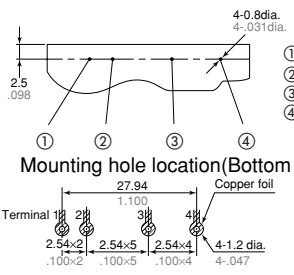


PhotoMOS Relay Dimensions

mm inch

| Type | Dimensions | | |
|--|--|--|--|
| AQY21 AQY41 Series | Through hole terminal type | Surface mount terminal type | PC board pattern (Bottom view) |
| | Terminal thickness = 0.2 .008 General tolerance: ±0.1 ±0.04 | Terminal thickness = 0.2 .008 General tolerance: ±0.1 ±0.04 | Mounting pad (Top view) |
| AQV10 AQV20 AQV21 AQV22 AQV23 AQV25 AQV41 AQV45 Series | Through hole terminal type | Surface mount terminal type | PC board pattern (Bottom view) |
| | Terminal thickness = 0.25 .010 General tolerance: ±0.1 ±0.04 | Terminal thickness = 0.25 .010 General tolerance: ±0.1 ±0.04 | Recommended mounting pad (Top view) |
| APV1122 Series | Through hole terminal type | Surface mount terminal type | PC board pattern (Bottom view) |
| | Terminal thickness = 0.25 .010 General tolerance: ±0.1 ±0.04 | Terminal thickness = 0.25 .010 General tolerance: ±0.1 ±0.04 | Recommended mounting pad (Top view) |
| AQW21 AQW22 AQW25 AQW41 AQW45 AQW61 AQW65 Series | Through hole terminal type | Surface mount terminal type | PC board pattern (Bottom view) |
| | Terminal thickness = 0.25 .010 General tolerance: ±0.1 ±0.04 | Terminal thickness = 0.25 .010 General tolerance: ±0.1 ±0.04 | Recommended mounting pad (Top view) |

| Type | Dimensions | | | |
|--|-----------------------------------|------------------------------------|---|--|
| AQW21○EH AQW21○HL AQW41○EH AQW61○EH Series | <p>Through hole terminal type</p> | <p>Surface mount terminal type</p> | <p>PC board pattern (Bottom view)</p> | |
| APV21 (SSOP) AQY22 (SSOP) Series | | | <p>Recommended mounting pad (TOP VIEW)</p> <p>Tolerance: ±0.1 ±.004</p> | |
| APV21(SOP) APV11(SOP) AQY21(SOP) AQY22(SOP) AQY41(SOP) Series | | | <p>Recommended mounting pad (Top view)</p> <p>Tolerance: ±0.1 ±.004</p> | |
| AQV21(SOP) AQV22(SOP) AQV41(SOP) Series | | | <p>Recommended mounting pad (Top view)</p> <p>Tolerance: ±0.1 ±.004</p> | |
| AQW21(SOP) AQW61(SOP) Series | | | <p>Recommended mounting pad (Top view)</p> <p>Tolerance: ±0.1 ±.004</p> | |

| Type | Dimensions | |
|---|--|--|
| <p>AQS22(SOP) Series</p> | <div style="display: flex; justify-content: space-between;"> <div style="width: 30%;">  <p>Dimensions: 4.4 ± 0.2, 10.37 ± 0.2, 6.8 ± 0.4, 0.5, 2.0 ± 0.2, 0.4, 1.27, 0.1</p> <p>Terminal thickness = $0.15 \pm .006$</p> <p>General tolerance: $\pm 0.1 \pm .004$</p> </div> <div style="width: 35%;"> <p>Recommended mounting pad (Top view)</p>  <p>Dimensions: 1.2, 0.8, 0.047, 0.031, 0.50, 0.50, 0.50, 0.50, 0.50, 0.50</p> <p>Tolerance: $\pm 0.1 \pm .004$</p> </div> </div> | |
| <p>AQZ27 Series</p> | <div style="display: flex; justify-content: space-between;"> <div style="width: 30%;"> <p>Through hole terminal type</p>  <p>Dimensions: 8.8, 10.16, 9.3, 3.5, 3.9, 3.0, 0.47, 0.47, 5.08</p> <p>Terminal thickness = $0.25 \pm .010$</p> <p>General tolerance: $\pm 0.1 \pm .004$</p> </div> <div style="width: 30%;"> <p>Surface mount terminal type</p>  <p>Dimensions: 8.8, 10.16, 9.3, 3.5, 3.9, 3.0, 0.2, 5.08</p> <p>Terminal thickness = $0.25 \pm .010$</p> <p>General tolerance: $\pm 0.1 \pm .004$</p> </div> <div style="width: 35%;"> <p>PC board pattern (Bottom view)</p>  <p>Dimensions: $4-0.8$ dia., $4-0.031$ dia., 5.08, 10.16, 8.8, 2.54, 11.0, 1.8, 1.8, 5.08</p> <p>Recommended mounting pad (Top view)</p>  <p>Dimensions: 11.0, 1.8, 1.8, 5.08</p> <p>Tolerance: $\pm 0.1 \pm .004$</p> <p>General tolerance: $\pm 0.1 \pm .004$</p> </div> </div> | |
| <p>AQZ10 AQZ20 AQZ40 Series</p> | <div style="display: flex; justify-content: space-between;"> <div style="width: 45%;">  <p>Dimensions: 21 ± 0.2, 11 ± 0.2, 3.5, 1.1, 1.5, 1.5, 0.5, 0.8, 0.5, 10.16, 5.08, 0.25</p> <p>General tolerance: $\pm 0.1 \pm .004$</p> </div> <div style="width: 50%;"> <p>PC board pattern (Bottom view)</p>  <p>Dimensions: $2-0.8$ dia., $2-0.031$ dia., $2-1.1$ dia., $2-0.031$ dia., 2.54, 10.16, 5.08</p> <p>Tolerance: $\pm 0.1 \pm .004$</p> <div style="display: flex; justify-content: space-between;"> <div style="width: 45%;"> <p>AC/DC type</p> <ul style="list-style-type: none"> ① Input: DC- ② Input: DC+ ③ Output: DC or AC ④ Output: DC or AC </div> <div style="width: 45%;"> <p>DC type</p> <ul style="list-style-type: none"> ① Input: DC- ② Input: DC+ ③ Output: DC- ④ Output: DC+ </div> </div> </div> </div> | |
| <p>AQZ26 Series</p> | <div style="display: flex; justify-content: space-between;"> <div style="width: 30%;">  <p>Dimensions: 43.0, 32.0, 8.0, 5.08, 12.7, 10.16, 9.0, 354</p> <p>General tolerance $\pm 0.5 \pm .020$</p> </div> <div style="width: 35%;"> <p>Mounting hole location (Bottom view)</p>  <p>Dimensions: $4-0.8$ dia., $4-0.031$ dia., 2.5, 27.94, 1.100, 2.54×2, 2.54×5, 2.54×4, $4-1.2$ dia., 0.098, 0.100×2, 0.100×5, 0.100×4, $4-0.47$</p> <p>Pitch tolerance: $\pm 0.1 \pm .004$</p> </div> </div> | |