

SMD Multilayer Chip Bead

ACML-0201



RoHS
Compliant



0.6 x 0.3 x 0.3 mm

FEATURES:

- Internal silver printed layers and magnetically shielded to minimize crosstalk
- Substantial EMI suppression over a wide frequency range
- Excellent solderability and heat resistance

APPLICATIONS:

- Noise suppression for computers and peripheral devices, DVD cameras, LCD TVs, communication equipments, OA equipments, etc.
- Reduces noise in ultra high speed circuits as well

STANDARD SPECIFICATIONS:

Operating Temperature: -55°C ~ +125°C

Storage Temperature: -10°C to +40°C, 70% RH max

| Part No. | Z(Ω) ± 25% | Z Test Freq. | DCR (Ω) | Ir (mA) |
|---------------|------------|--------------|---------|---------|
| | | (MHz) | (max) | (max) |
| ACML-0201-600 | 60 | 100 | 0.40 | 200 |
| ACML-0201-800 | 80 | 100 | 0.60 | 200 |
| ACML-0201-121 | 120 | 100 | 0.80 | 200 |
| ACML-0201-241 | 240 | 100 | 1.00 | 200 |
| ACML-0201-471 | 470 | 100 | 1.40 | 200 |
| ACML-0201-601 | 600 | 100 | 1.70 | 200 |

Test Conditions and equipments

Z: High Accuracy RF Impedance/Material Analyzer -E4991A, 100MHz, -20dBm or 50mV

DCR: High Accuracy Milliohmmeter –HP4338B

Ir: Electric Power Supply, Electric Current Meter, Thermometer. $\Delta T \leq 20^\circ C$

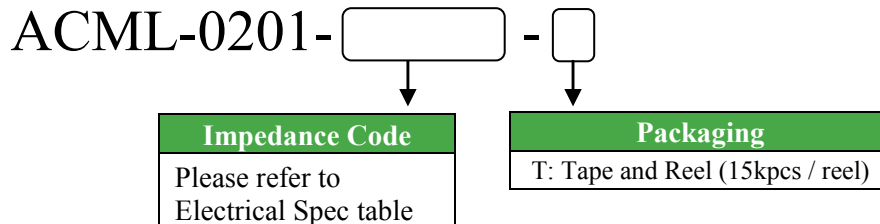
Unless otherwise specified, the standard atmospheric conditions for measurement/test as:

- Ambient Temperature: 20±15°C
- Relative Humidity: 65%±20%
- Air Pressure: 86 KPa to 106 KPa

Visual Examination

- Inspection Equipment: 20X magnifier

OPTIONS AND PART IDENTIFICATION:



SMD Multilayer Chip Bead

ACML-0201



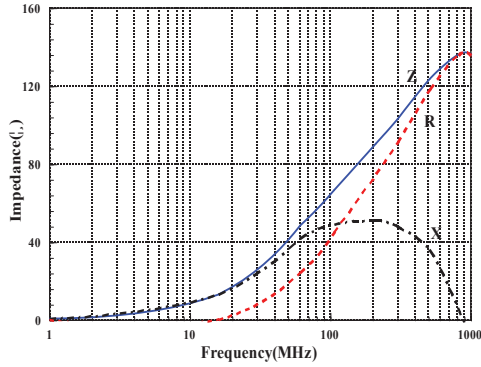
RoHS
Compliant



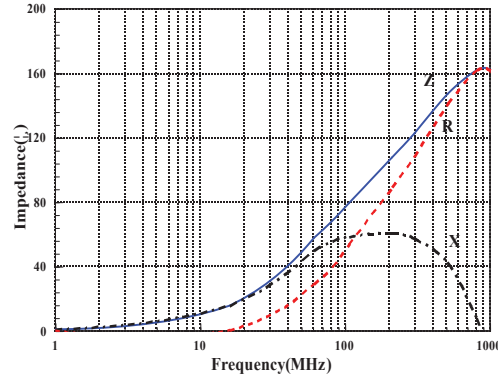
0.6 x 0.3 x 0.3 mm

FREQUENCY RESPONSE

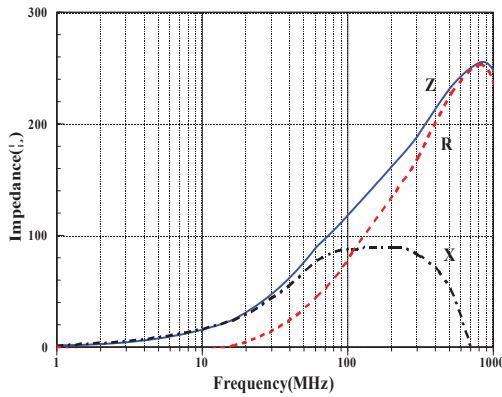
ACML-0201-600



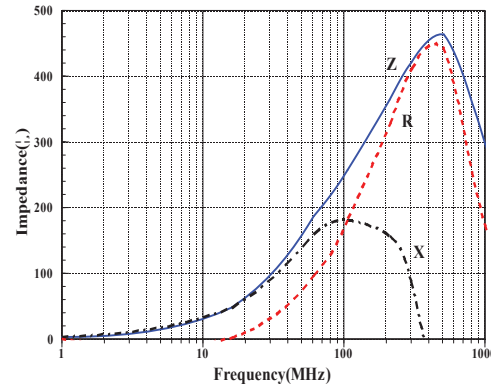
ACML-0201-800



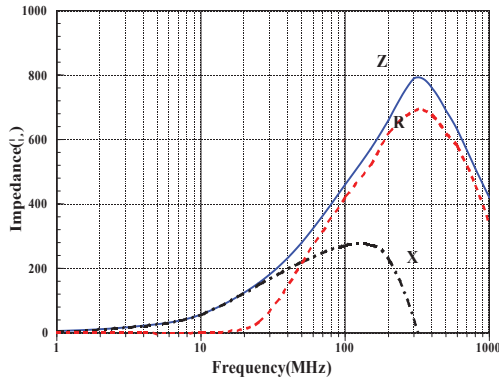
ACML-0201-121



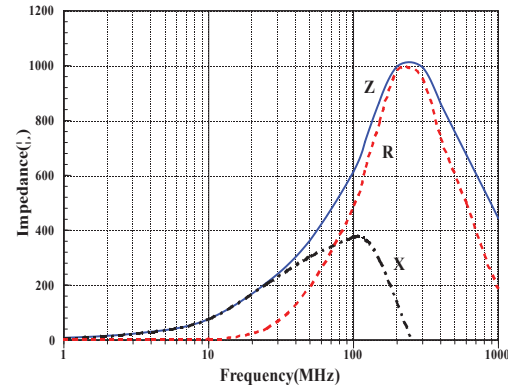
ACML-0201-241



ACML-0201-471



ACML-0201-601



ABRACON IS
ISO 9001:2008
CERTIFIED



Visit www.abracon.com for Terms & Conditions of Sale **Revised: 09.12.12**
30332 Esperanza, Rancho Santa Margarita, California 92688
tel 949-546-8000 | fax 949-546-8001 | www.abracon.com

SMD Multilayer Chip Bead

ACML-0201



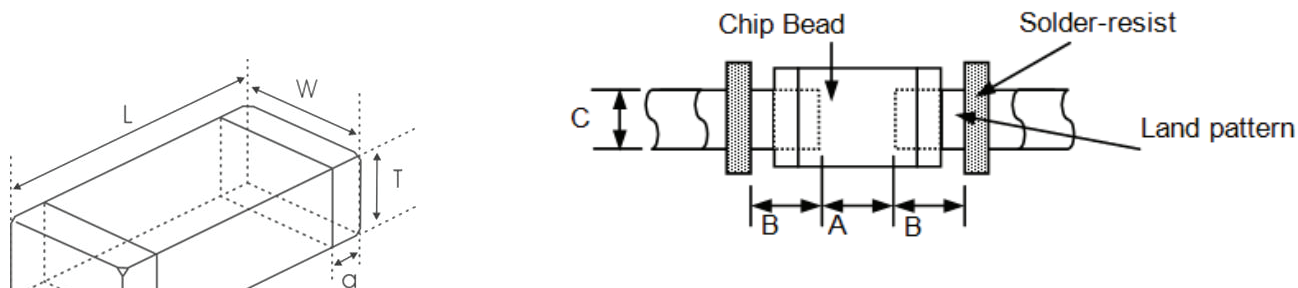
RoHS
Compliant



0.6 x 0.3 x 0.3 mm

OUTLINE DRAWING:

Recommended Land Pattern

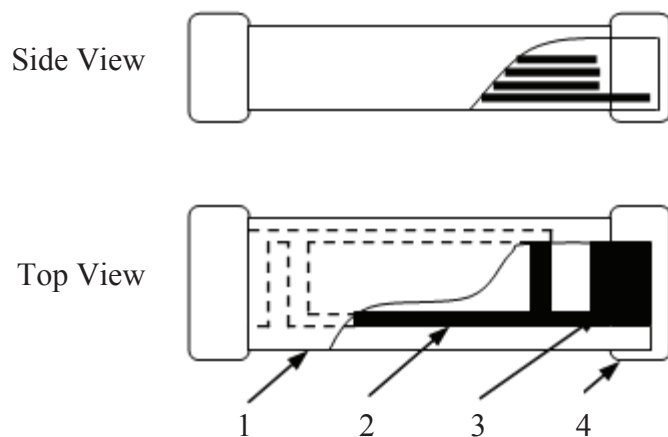


| A | B | C |
|---------|---------|----------|
| 0.2~0.3 | 0.2~0.3 | 0.3~0.35 |

| Series | L | W | T | a |
|-----------|---------------------------|---------------------------|---------------------------|----------------------------|
| ACML-0201 | 0.6±0.05 [0.024±0.002] | 0.3±0.05 [0.012±0.002] | 0.3±0.05 [0.012±0.002] | 0.15±0.05 [0.006±0.002] |

Dimension: mm [inch]

Materials



| | Part Name | Material |
|---|--------------------|---|
| 1 | Base Material | Ferrite |
| 2 | Internal Conductor | Ag |
| 3 | Pull out Electrode | Ag |
| 4 | Terminal Electrode | Ag (Inner layer) Ni-Sn (Outer layer) |

SMD Multilayer Chip Bead

ACML-0201

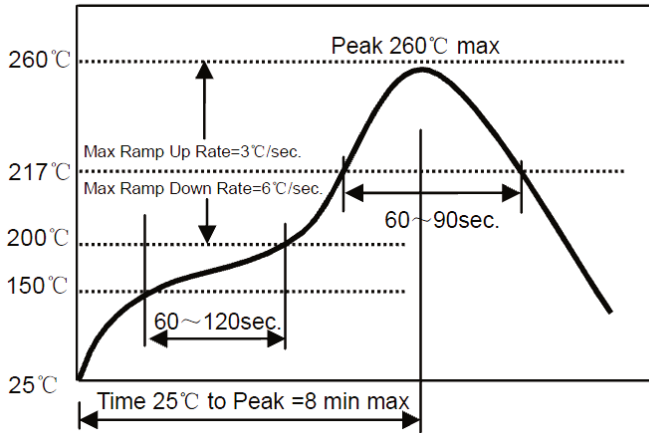


**RoHS
Compliant**



0.6 x 0.3 x 0.3 mm

REFLOW PROFILE:

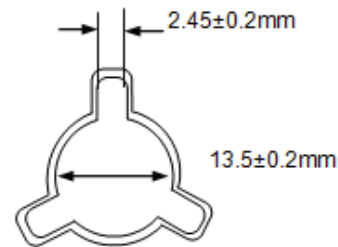
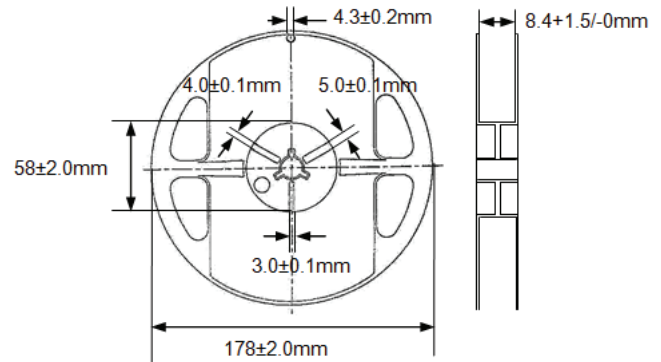
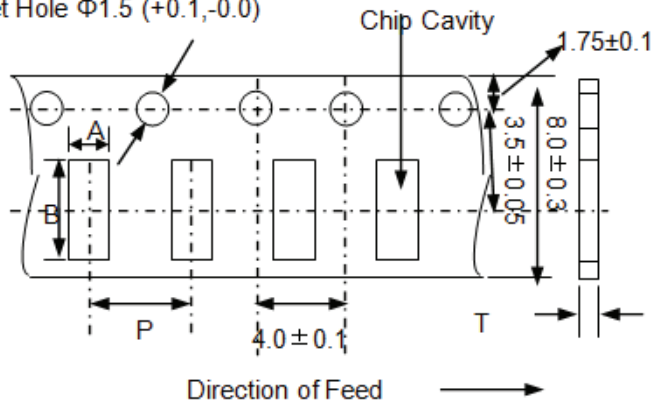


| | |
|-----------------------------|-------------------------------|
| Preheat Condition | 150 to 200 °C; 60 to 120 sec. |
| Albwd time above 217 °C | 60 to 90 sec. |
| Max temperature | 260 °C |
| Max time at max temperature | 10 sec. |
| Solder paste | Sn/3.0Ag/0.5Cu |
| Allowed Reflow time | 2x max. |

TAPE & REEL:

T: 15,000pcs / reel

Sprocket Hole $\Phi 1.5 (+0.1, -0.0)$



| A | B | P | t(max) |
|----------|----------|---------|--------|
| 0.40±0.1 | 0.70±0.1 | 2.0±0.1 | 0.55 |

Dimension: mm

ATTENTION: Abracon Corporation's products are COTS – Commercial-Off-The-Shelf products; suitable for Commercial, Industrial and, where designated, Automotive Applications. Abracon's products are not specifically designed for Military, Aviation, Aerospace, Life-dependant Medical applications or any application requiring high reliability where component failure could result in loss of life and/or property. For applications requiring high reliability and/or presenting an extreme operating environment, written consent and authorization from Abracon Corporation is required. Please contact Abracon Corporation for more information.

ABRACON IS
ISO 9001:2008
CERTIFIED



Visit www.abracon.com for Terms & Conditions of Sale **Revised: 09.12.12**
30332 Esperanza, Rancho Santa Margarita, California 92688
tel 949-546-8000 | fax 949-546-8001 | www.abracon.com

Mouser Electronics

Authorized Distributor

Click to View Pricing, Inventory, Delivery & Lifecycle Information:

ABRACON:

[ACML-0201-60-T](#) [ACML-0201-601-T](#) [ACML-0201-471-T](#) [ACML-0201-121-T](#) [ACML-0201-80-T](#) [ACML-0201-241-T](#)