

MICRO SWITCH

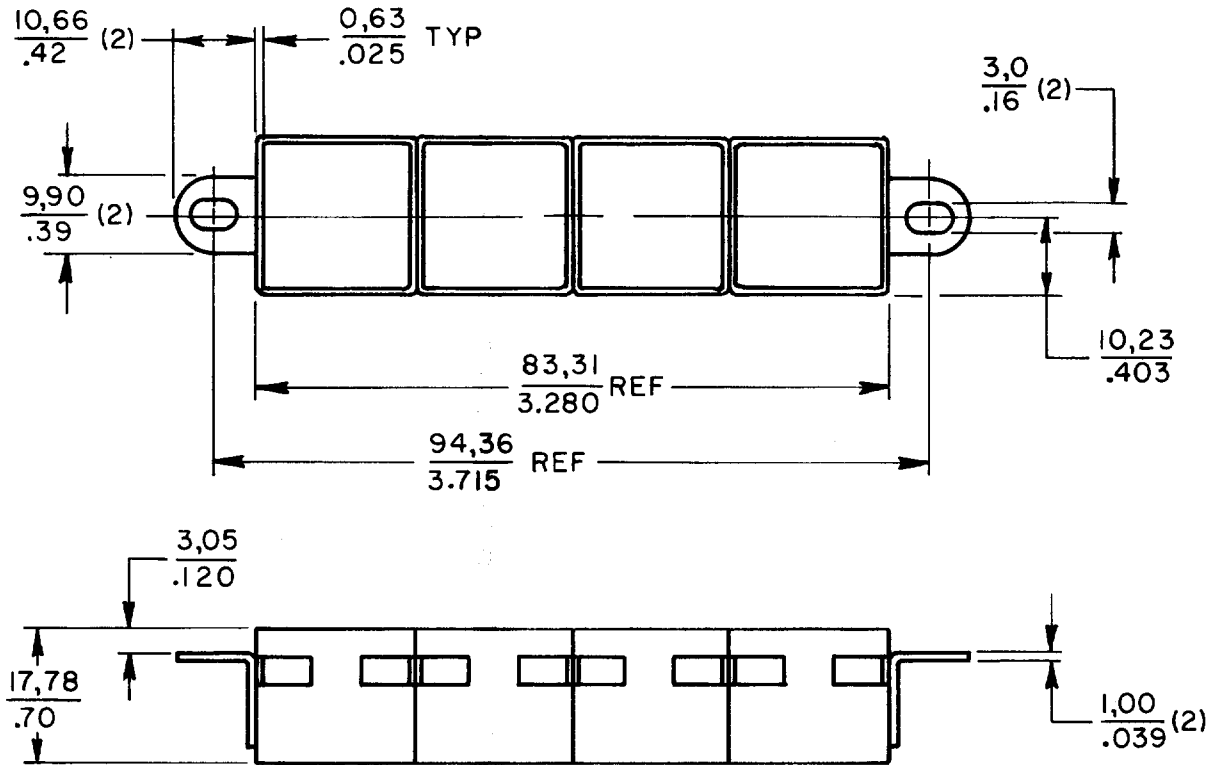
FREEPORT, ILLINOIS, U S A
A DIVISION OF HONEYWELL

FED. MFG. CODE 9 1929

MOUNTING BRACKET

CATALOG LISTING
AML61BA4E

THIS DRAWING COVERS A PROPRIETARY ITEM AND IS THE PROPERTY OF MICRO SWITCH. A DIVISION OF HONEYWELL. THIS DRAWING IS NOT TO BE COPIED OR USED WITHOUT THE APPROVAL OF MICRO SWITCH.



AML61BA4E

M

DRAWING NUMBER

ISSUE

REPLACES

RELEASE NO. CO-48735

CHECK

REVISIONS

CHECK

GLH DEC 80

CHECK

DEC 80

CHECK

TSM

DRAWN

FO-52850

SCALE FULL			
DO NOT SCALE PRINT			
TOLERANCES			
APPLY TO DESIGN UNITS. CONVERSIONS ARE ONLY FOR REFERENCE. UNLESS NOTED, TOLERANCES ARE ±			
DIM. mm	TOL. mm/in	DIM. in	TOL. mm/in
NO PLACES	X	1/64	
ONE PLACE	X,X	0.4/016	X X 0.8/.03
TWO PLACES	X,XX	0.15/.006	X XX 0.38/.015
THREE PLACES	X,XXX		X XXX 0.13/.005
ANGLES			
SI METRIC		US CUSTOMARY	
DESIGN UNITS	<input checked="" type="checkbox"/>	<input type="checkbox"/>	
WEIGHT			