

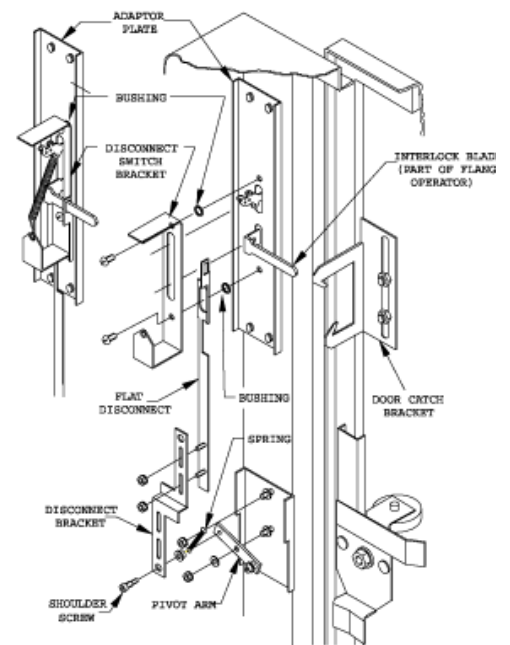
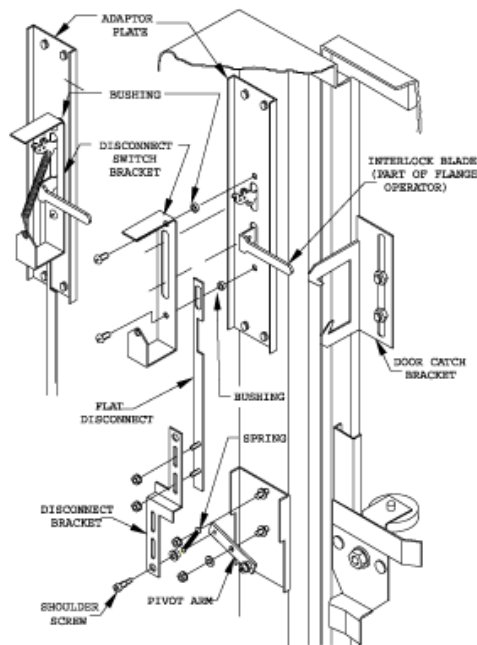
Flange Disconnect Operator Adaptor Kits

Features



**Version Shown
Allen Bradley - 1494V H1**

**Version Shown
Allen Bradley - 1494V H2**



Part No.	Operator Make & Type	Manufacturer Part No.
AK1494FD	Allen Bradley	1494F and D
BPAK	Blank plate	

Part No.	Operator Make & Type	Manufacturer Part No.
AKU	ABB Controls - operating handle	
	Disconnect Switch	DSFHN-HS12
	Circuit Breaker	K7FHD-HS12
	Allen Bradley - 1494V variable depth operating handle	
	Disconnect Switch	
	30 to 200	1494V H1 for 2UD, UHD, UHDM
	400 to 600	1494V H2 for UHD
	400	1494V H2 for UHDM
	Circuit Breaker	1494V H11
	Cutler Hammer - operating handle	

Part No.	Operator Make & Type	Manufacturer Part No.
	Disconnect Switch	C361H1 or H3
	Circuit Breaker	
	150 A	C371H1 or H3
	250 to 600 A	C371H5 or H7 for 2UD
	250 to 1200 A	C371H5 or H7 for UHD, UHDM
	Circuit Breaker	C371 Flex-Shaft™ handle mechanism
	General Electric - operating handle	
	Disconnect Switch	STDA1or STDA2
	Circuit Breaker	STDA1or STDA2
	Circuit Breaker Spectra-Flex™ cable operators	
	150 to 600 A	STDA1
	SK1200 A	STDA3
	Siemens I.T.E. Max-Flex™ - operating handle	
	Disconnect Switch variable depth	FHOHS
	Circuit Breaker	
	125 to 600 A	FHOH
	800 to 2000 A	FHOHN
	Square D - class 9422 operating mechanism	
	Disconnect Switch variable depth	9422 type A1
	Circuit Breaker variable depth	9422 type A1
	Disconnect Switch with cable mechanism	9422 type A1
	Circuit Breaker with cable mechanism	9422 type A1

Data subject to change without notice