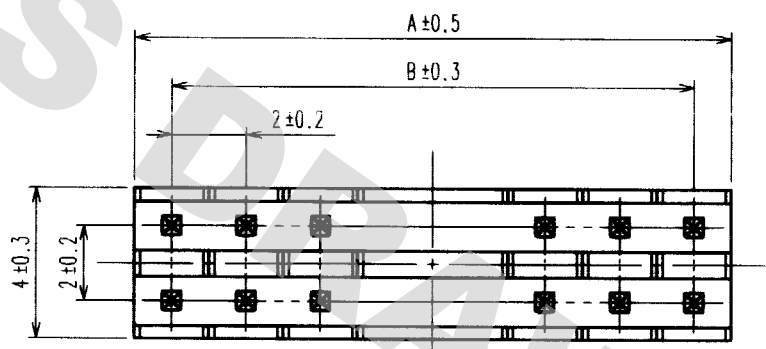
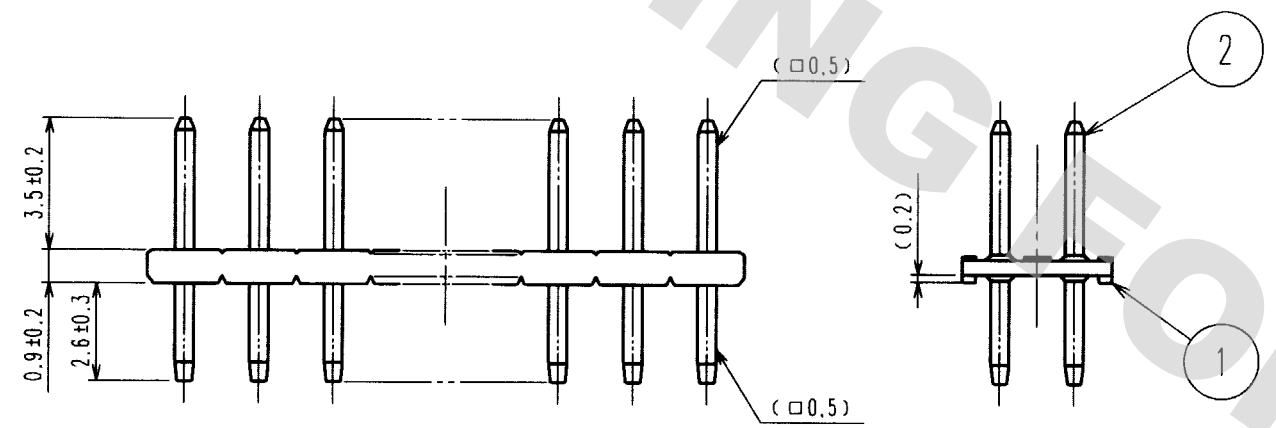
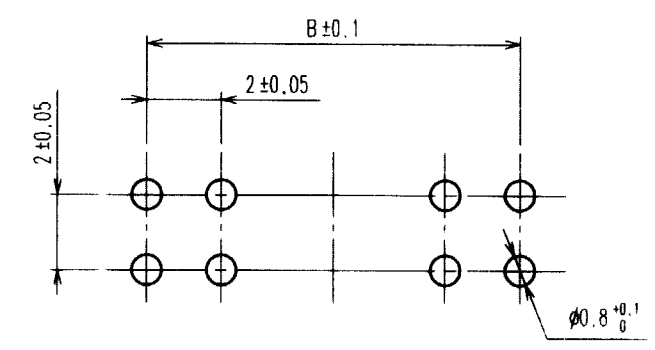


COUNT	DESCRIPTION OF REVISIONS	BY	CHKD	DATE	COUNT	DESCRIPTION OF REVISIONS	BY	CHKD	DATE
△					△				
△					△				
△					△				



RECOMMENDED PC BOARD HOLE PATTERN



PART No.	CODE No.	\square	A	B
A3C- 2P-2DSA	621-0601-0	2	2	-
A3C- 4P-2DSA	621-0602-3	4	4	2
A3C- 6P-2DSA	621-0603-6	6	6	4
A3C- 8P-2DSA	621-0604-9	8	8	6
A3C-10P-2DSA	621-0605-1	10	10	8
A3C-12P-2DSA	621-0606-4	12	12	10
A3C-14P-2DSA	621-0607-7	14	14	12
A3C-16P-2DSA	621-0608-0	16	16	14
A3C-18P-2DSA	621-0609-2	18	18	16
A3C-20P-2DSA	621-0610-1	20	20	18
A3C-22P-2DSA	621-0611-4	22	22	20
A3C-24P-2DSA	621-0612-7	24	24	22
A3C-26P-2DSA	621-0613-0	26	26	24
A3C-28P-2DSA	621-0614-2	28	28	26
A3C-32P-2DSA	621-0615-5	32	32	30
A3C-44P-2DSA	621-0622-0	44	44	42
A3C-48P-2DSA	621-0625-9	48	48	46
A3C-50P-2DSA	621-0628-7	50	50	48

NOTE 1 NUMBER OF CONTACTS.
2 THE DIMENSIONS IN PARENTHESES ARE FOR REFERENCE.

1	POLYAMIDE	BLACK	UL94V-0	2	BRASS	CONTACT AREA : GOLD 0.2 μ m			
						DIP AREA : GOLD FLASH			
						UNDER PLATING : NICKEL 2 μ m			
NO.	MATERIAL	FINISH, REMARKS		NO.	MATERIAL	FINISH, REMARKS			
CODE NO. (OLD) CL				DRAWN	DESIGNED	CHECKED	APPROVED	RELEASED	
				S. SUZUKI 03.12.10	H. Nakamura 03.12.10	Yamaguchi 03.12.10	H. Okawa 03.12.10		
SCALE FREE		DRAWING NO. EDC3-082570			PART NO. A3C-***P-2DSA				
UNITS mm		HRS HIROSE ELECTRIC CO., LTD			CODE NO. CL621				1/1

DRAWING FOR REFERENCE: This is subject to change without notice
08/11/2012

TO
PCK