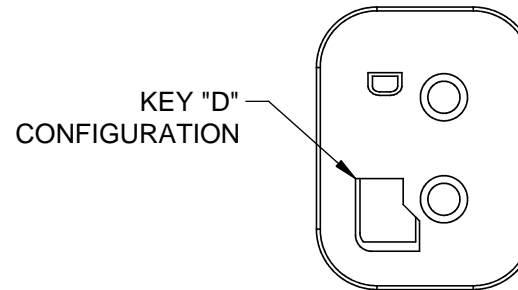
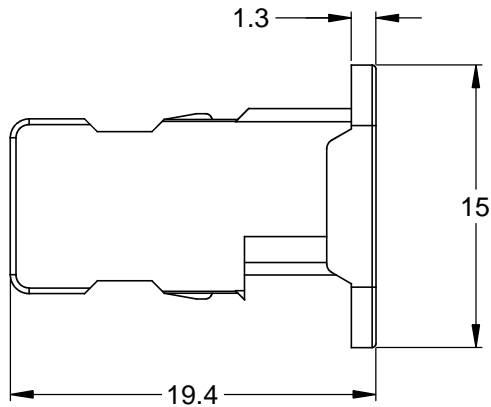
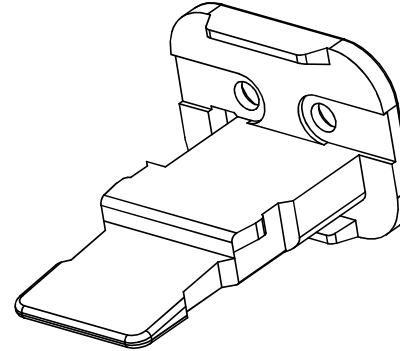
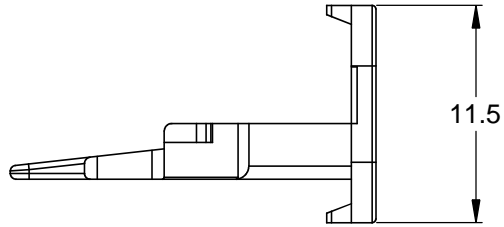


REVISIONS					
REV	ECO	DESCRIPTION	DATE	BY	APPR
A4		RELEASE NEW DWG FORMAT	26/JUN/14	JARRY	



NOTES: UNLESS OTHERWISE SPECIFIED

1. MATERIAL: THERMOPLASTIC; COLOR: BROWN
2. RoHS COMPLIANT
3. CAVITIES: 2
4. KEYED: KEY "D" CONFIGURATION
5. USE WITH CONNECTORS AT06-2S\*  
(\* = MODIFICATIONS AND/OR COLORS)
6. ALL DIMENSIONS ARE FOR REFERENCE USE ONLY.

AW2S-D					
QUANTITY	PART NUMBER	DESCRIPTION			ITEM
<b>MATERIALS LIST</b>					
UNLESS OTHERWISE SPECIFIED 1) All dimensions are in metric(mm). 2) Tolerances are as follows: 1 PL DEC ±0.30 2 PL DEC ±0.15 3 PL DEC ±0.08 3) Note reference =		<b>SIGNATURES</b> DRAWN: JARRY CHECKED: ENGINEER: APPROVAL: CUSTOMER:		<b>DATE</b> 26/JUN/14	
MATERIAL SPECIFICATIONS:  PROCESS SPECIFICATIONS:		THIS DRAWING IS SUPPLIED FOR INFORMATION ONLY. DESIGN FEATURES, SPECIFICATIONS AND PERFORMANCE DATA SHOWN HEREON ARE THE PROPERTY OF THE AMPHENOL CORPORATION. NO RIGHTS OF REPRODUCTION ARE IMPLIED. ALL DIMENSIONS ARE SUBJECT TO NORMAL MANUFACTURING VARIATIONS.		<h1>Amphenol</h1> <p>Sine Systems - www.amphenol-sine.com                      44724 Morley Drive                      Clinton Township, MI 48036</p> <h2>S-WEDGELOCK, 2 POSITION, D - KEY, AT SERIES</h2>	
NEXT ASSY:		SIZE: <b>A</b>	TYPE: <b>C-</b>	DWG NO: <b>AW2S-D</b>	REVISION: <b>A4</b>
		SCALE: <b>NONE</b>		SHEET <b>1</b> OF <b>1</b>	

# Mouser Electronics

Authorized Distributor

Click to View Pricing, Inventory, Delivery & Lifecycle Information:

## Amphenol:

[AW2S-D](#) [AT04-2P-D1N4GRY](#) [AT04-08PB-SRBK](#) [AT04-08PB-PM07](#) [AT04-12PB-SRBK](#) [AT04-08PB-PMR7](#) [AT04-12PD-SRBR](#) [AT04-08PB-PM07G](#) [AT04-12PC-SRGN](#) [AT04-08PD-SRBR](#)