

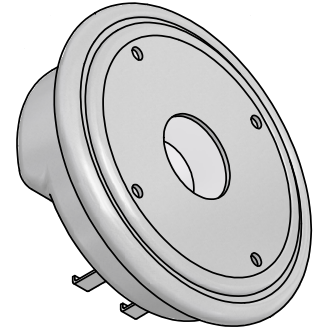
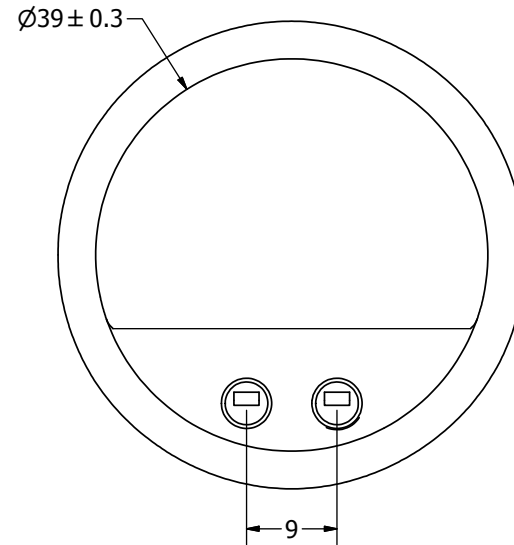
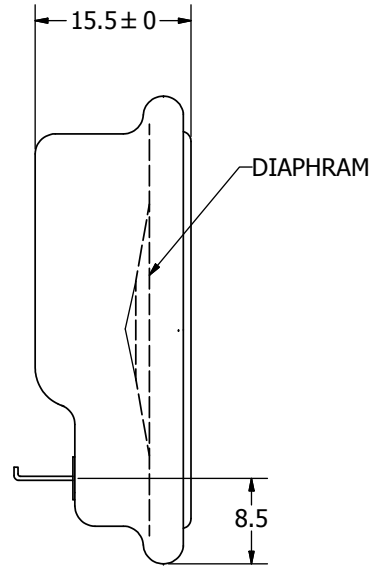
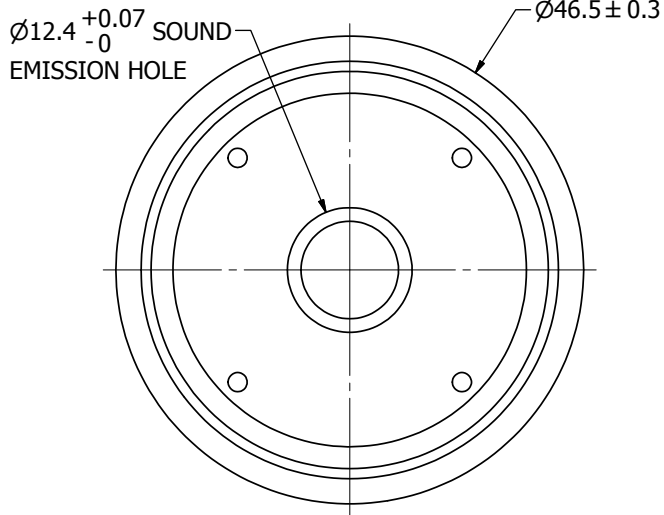
# SPECIFICATIONS

PARAMETERS	VALUES	UNITS
RATED VOLTAGE (SQUARE WAVE)	12	Vdc
OPERATING VOLTAGE RANGE	1 ~ 30	Vdc
COIL RESISTANCE	24 ± 2	OHM
MINIMUM SPL @ 10 CM	100	dBA
RESONANT FREQUENCY	2,000 ± 20%	Hz
FREQUENCY RANGE	300 ~ 8,000	Hz
OPERATING TEMPERATURE	-40 ~ +85	°C
STORAGE TEMPERATURE	-50 ~ +95	°C
HOUSING MATERIAL	ALUMINUM	-
TERMINAL MATERIAL	Sn PLATED COPPER	-
WEIGHT	28	grams

THIS DOCUMENT CONTAINS DATA PROPRIETARY TO PROJECTS UNLIMITED, INC. ANY USE OR REPRODUCTION, IN ANY FORM, WITHOUT PRIOR WRITTEN PERMISSION OF PROJECTS UNLIMITED, INC. IS PROHIBITED.  
©2003, Projects Unlimited Inc.

# REVISION HISTORY

LTR	DESCRIPTION	DATE	APPROVED
-	RELEASED FROM ENGINEERING	8/17/2006	
A	REVISED TERMINAL MATERIAL & ADDED DIAPHRAM	10/17/2006	R.W.
B	DELETED INGRESS PROTECTION	1/26/2007	B.R.
C	REVISED FREQUENCY SPECIFICATIONS	4/26/2007	B.R.
D	REVISED TO INVENTOR 3-D DRAWING TEMPLATE	10/18/2007	B.R.



## NOTES:

1. ALL DIMENSIONS ARE IN MILLIMETERS.
2. SPECIFICATIONS SUBJECT TO CHANGE OR WITHDRAWAL WITHOUT NOTICE.
3. THIS PART IS RoHS 2002/95/EC COMPLIANT.
4. MAX. OPERATING TEMPERATURE IS 260°C FOR 5 MINUTES.

UNLESS OTHERWISE SPECIFIED: DIMENSIONS ARE IN MILLIMETERS, TOLERANCES ARE ±0.5 AND ANGLES ARE ±3°.	SIZE	Designed by	Date	Checked by	Date	Approved by	Date	Drawn Date	
	A3	J.D.	8/18/2006	R.W.	8/18/2006	B.R.	8/18/2006	10/18/2007	
AWT-4703-R.idw					AWT-4703-R			Edition	Sheet
								Transducer (Electro-Mech)	

# Mouser Electronics

Authorized Distributor

Click to View Pricing, Inventory, Delivery & Lifecycle Information:

[PUI Audio:](#)

[AWT-4703-R](#)