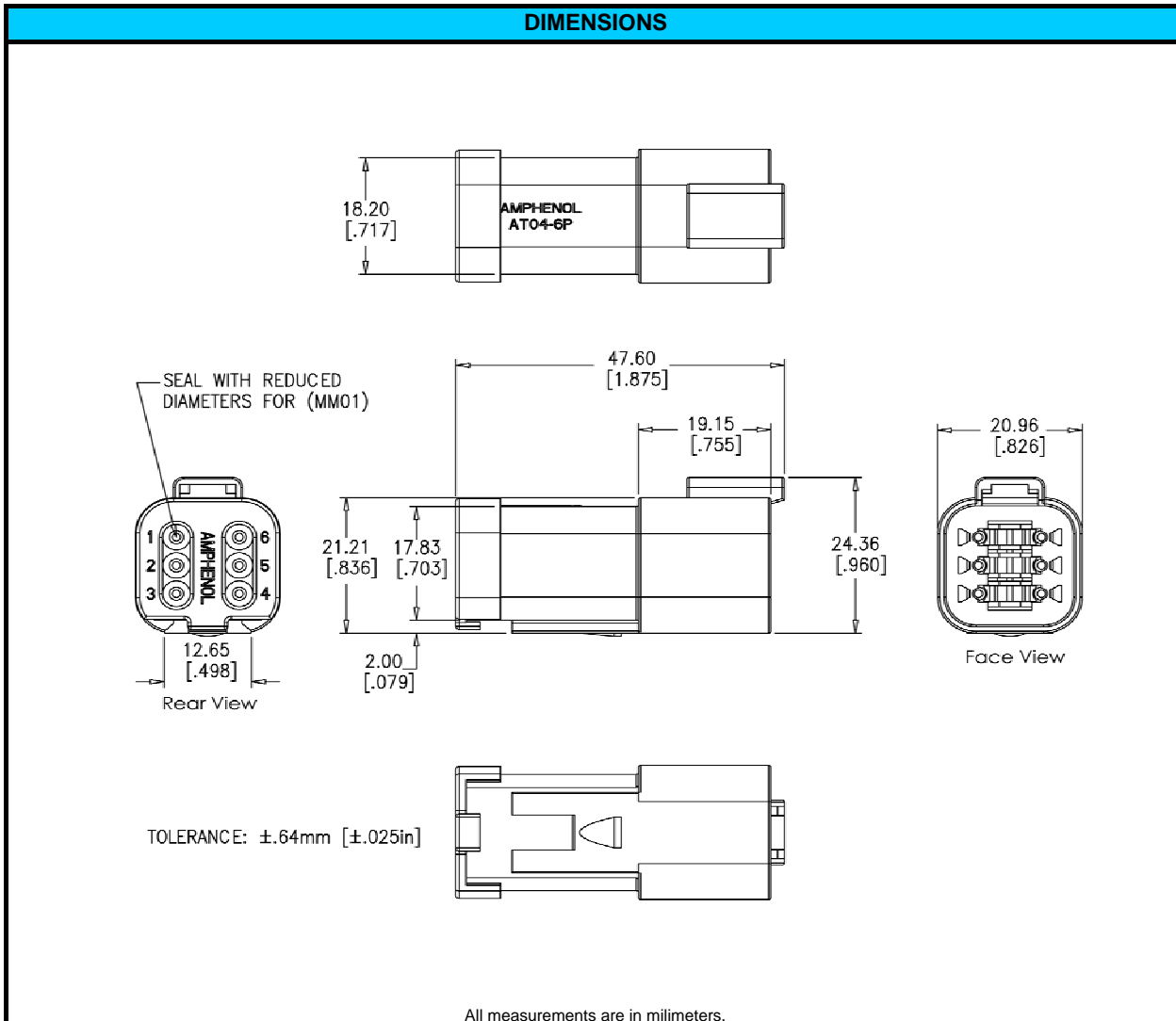


CONFIGURATION	PART NUMBER
Rect, 6 Way, Reduced Diameter Seal, End Cap	AT04-6P-MM01



NOTES:	
CONTACT SIZE	16
WIRE RANGE	14 - 20 AWG [2.0 - 0.5]
INSULATION O.D. (MAX)	.120" [3.04mm]
INSULATION O.D. (MIN)	.053" [1.34mm]
HOUSING COLOR	GREY
MATING CONNECTOR:	AT06-6S
REQUIRED WEDGE	AW6P (sold separately)
REV: NC	UNCONTROLLED DOCUMENT
DATE 25-MARCH-2009	INFORMATION SUBJECT TO CHANGE WITHOUT NOTICE

© 2009 Amphenol Sine Systems Corporation. Every effort has been made to ensure that the information contained in this document is accurate at the time of publication. Specifications or information stated in this publication are subject to change without notice.

Mouser Electronics

Authorized Distributor

Click to View Pricing, Inventory, Delivery & Lifecycle Information:

[Amphenol:](#)

[AT04-6P-MM01BLK](#)