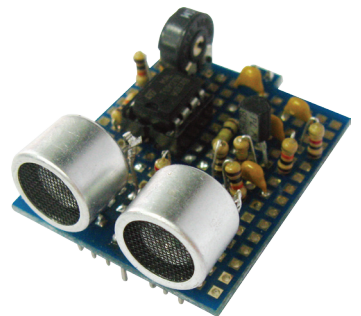
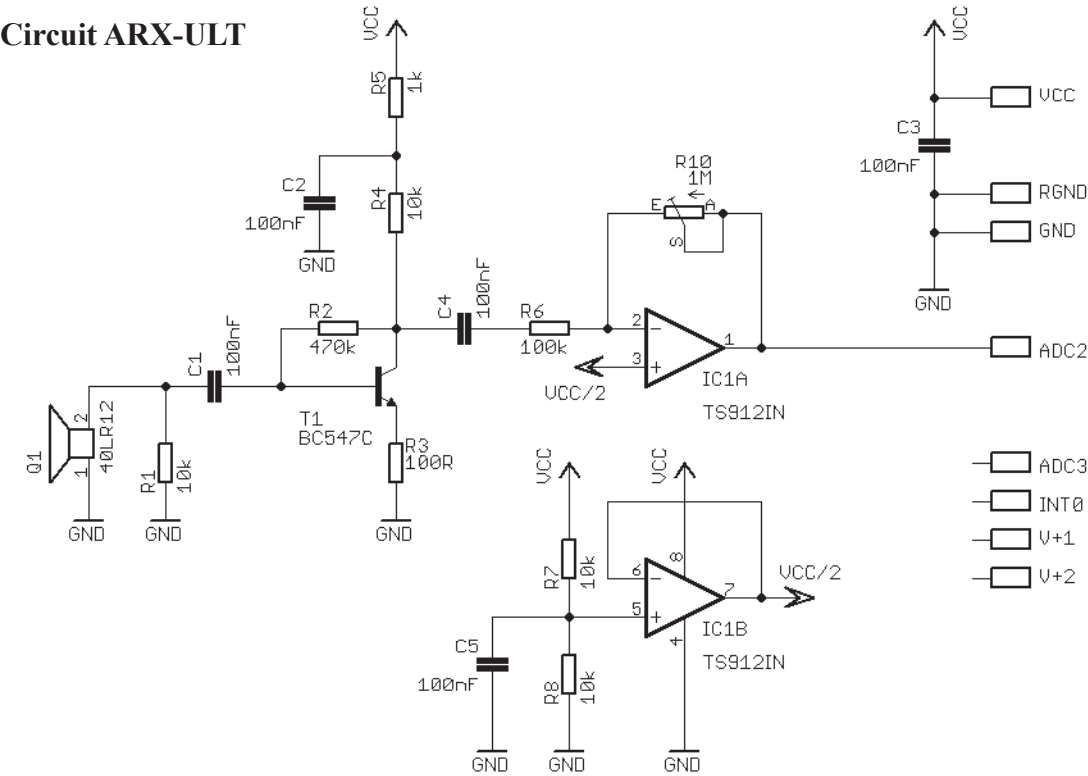
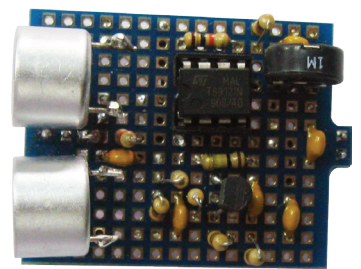
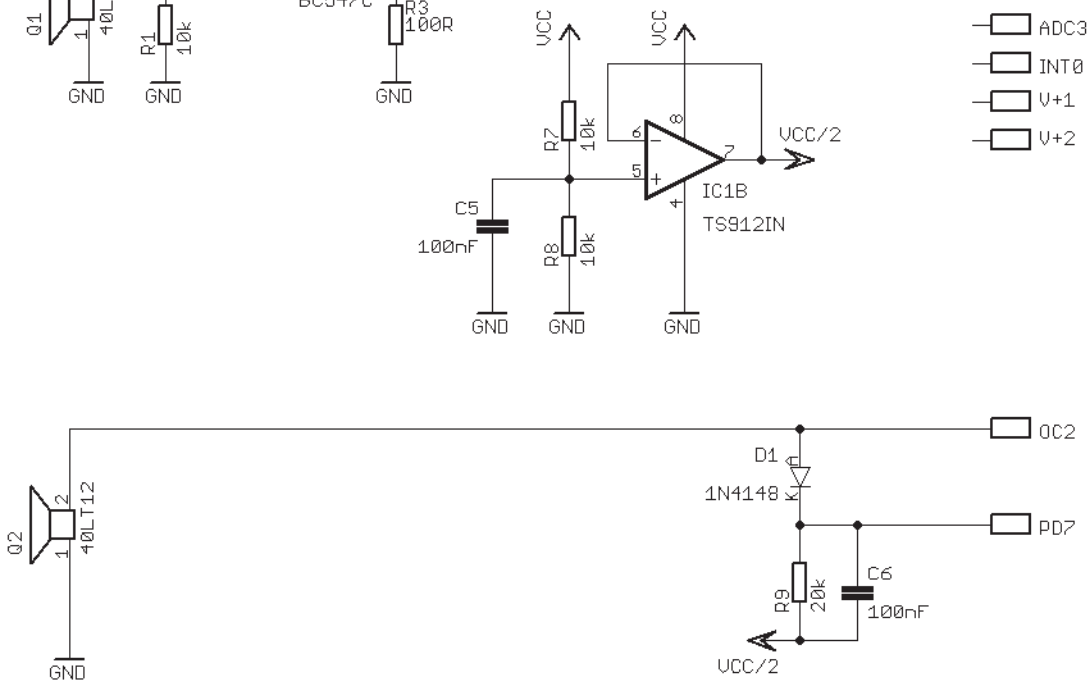


ASURO Ultrasound KIT ARX-ULT

Circuit ARX-ULT



- VCC
- R6ND
- GND
- ADC2
- ADC3
- INT0
- V+1
- V+2



Short manual for the ASURO ULTRA SOUND KIT

An very extensive description can be found in the book MORE FUN WITH ASURO volume I and <http://www.globalspecialties.com>

Mouser Electronics

Authorized Distributor

Click to View Pricing, Inventory, Delivery & Lifecycle Information:

[Global Specialties:](#)

[ARX-ULT](#)