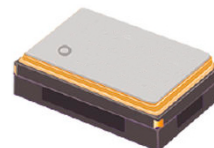


Programmable – High Performance Low Jitter SMD XO



2.5 x 2.0 x 1.0 mm

ASG2-LJ



Pb | RoHS / RoHS II Compliant

Moisture Sensitivity Level (MSL) – 1

FEATURES:

- LVCMOS, LVDS or LVPECL output option
- +2.5V or +3.3V operation
- -40°C to +85°C standard operating temperature range
- Ultra low RMS Jitter: 0.5ps typical, 1.0ps max (12kHz to 20MHz BW)
- Miniature size 2.5 x 2.0 x 1.0 mm Ceramic SMT Package
- Short lead time

APPLICATIONS:

- Networking
- SONET/SDH
- WiMax / WLAN
- Computing
- Phase Locked Loops
- Direct Digital Synthesis (DDS)
- DSL/ADSL
- Base Terminal Stations

STANDARD SPECIFICATIONS:

Parameters	Minimum	Typical	Maximum	Units	Notes	
Operating Temperature	-40		+85	°C		
Storage Temperature	-55		+125	°C		
Overall Frequency Stability	-50		+50	ppm	<i>See Note # 1</i>	
Initial Tolerance + Stability over operating temperature	-35.00		+35.00	ppm		
Supply Voltage (V _{dd})	V _{dd} = 3.3V	3.135	3.300	3.465	V	
	V _{dd} = 2.5V	2.375	2.500	2.625	V	
Enable/Disable Function :	"1" (V _{IH} ≥ 0.7*V _{dd}) or Open: Oscillation "0" (V _{IL} < 0.3*V _{dd}) : High Z					
Phase jitter RMS (12kHz to 20MHz BW)		0.5	1	ps		

Note #1: Inclusive of initial tolerance at 25°C±3°C, operating temperature range, input voltage variation, load variation & 15 years aging at 25°C.

Key Electrical Specifications – LVCMOS

Parameters	Minimum	Typical	Maximum	Units	Notes
Frequency Range	8		200	MHz	
Supply Current (I _{dd})			40	mA	
Output Logic Level	V _{OH}	0.9*V _{dd}		V	I=±6mA
	V _{OL}		0.1*V _{dd}	V	
Rise Time	T _r		3	ns	10% to 90%
Fall Time	T _f		3	ns	
Duty Cycle	48	50	52	%	
Output Load			15	pF	

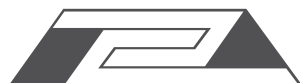
Key Electrical Specifications – LVDS

Parameters	Minimum	Typical	Maximum	Units	Notes
Frequency Range	8		1500	MHz	
Supply Current (I _{dd})			40	mA	Freq. dependent
Differential Output Voltage Swing		350		mV	
Duty Cycle	45		55	%	@1.25V
Rise Time	T _r		600	ps	RL=100Ω/CL=10pF
Fall Time	T _f		600		

Key Electrical Specifications – LVPECL

Parameters	Minimum	Typical	Maximum	Units	Notes
Frequency Range	8		1500	MHz	
Supply Current (I _{dd})			65	mA	Freq. dependent
Output Logic Level	V _{OH}	V _{dd} - 1.025		V	50Ω nominal load
	V _{OL}		V _{dd} - 1.62	V	
Duty Cycle	45		55	%	@V _{dd} -1.3V
Rise Time	T _r		600	ps	20% to 80%
Fall Time	T _f		600		

ABRACON IS
ISO9001:2008
CERTIFIED

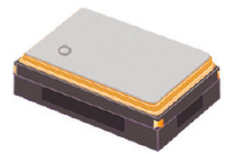


ABRACON
CORPORATION

Visit www.abracon.com for Terms & Conditions of Sale
30332 Esperanza, Rancho Santa Margarita, California 92688
tel 949-546-8000 | fax 949-546-8001 | www.abracon.com

Revised: 07.01.14

Programmable – High Performance Low Jitter SMD XO



2.5 x 2.0 x 1.0 mm

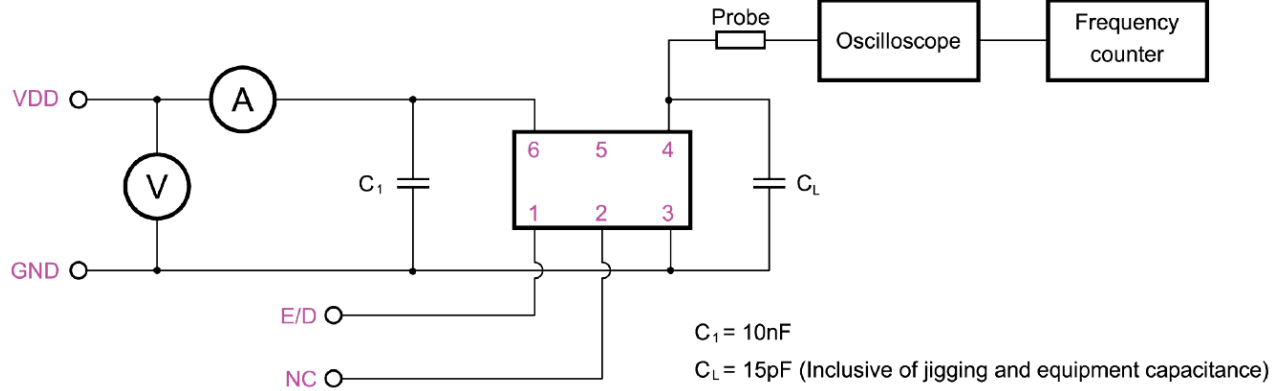
ASG2-LJ

ESD Sensitive

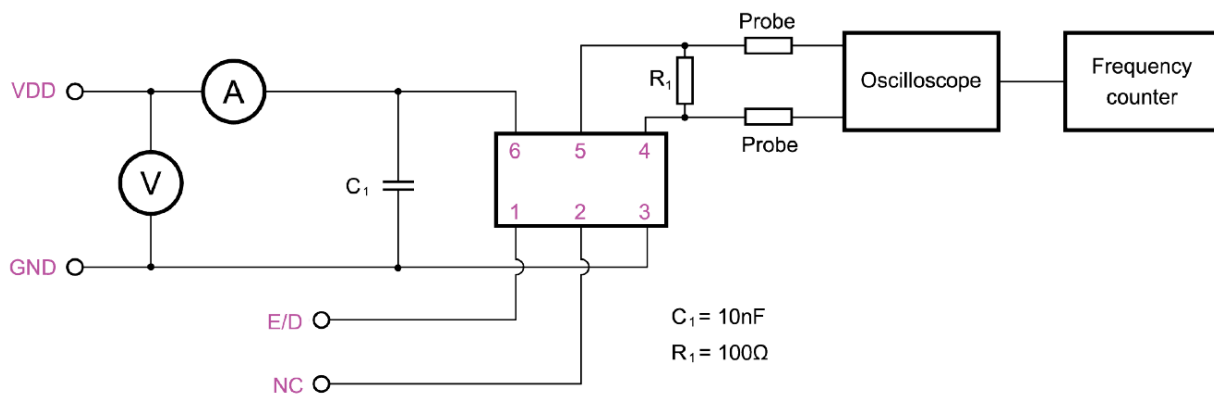
RoHS / RoHS II Compliant

TEST CIRCUIT

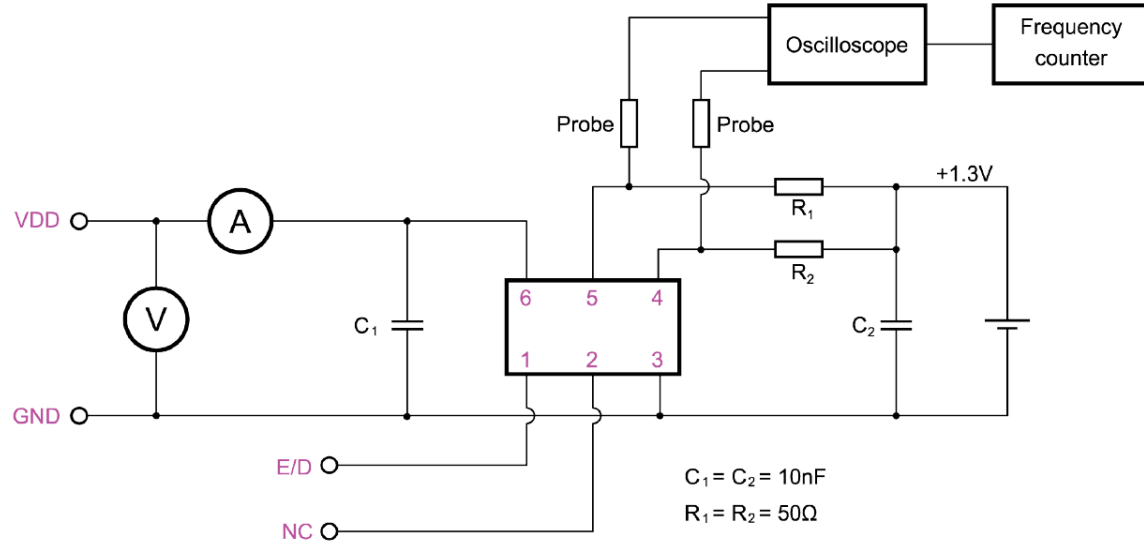
LVC MOS Output:



LVDS Output:



LVPECL Output:

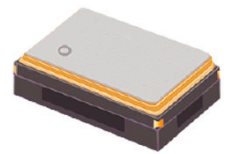


Programmable – High Performance Low Jitter SMD XO

ASG2-LJ



RoHS / RoHS II Compliant



2.5 x 2.0 x 1.0 mm

OPTIONS & PART IDENTIFICATION:

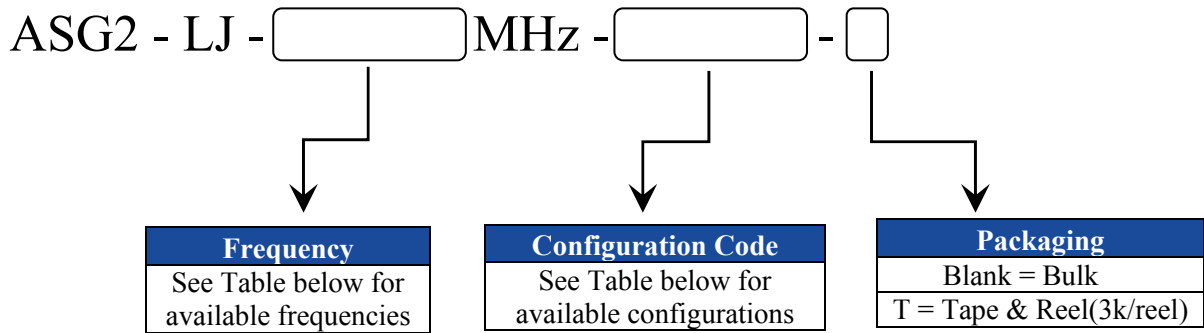
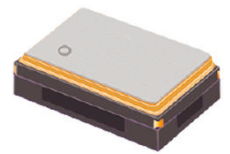


Table of Available Configurations

Abrakon P/N	Frequency (MHz)	Freq. Stability Over Temperature (ppm)	Operating Temperature (°C)	Supply Voltage (V)	Output Type
ASG2-LJ-100.000MHz-513259	100	±35	-40 to +85	3.3	LVPECL
ASG2-LJ-125.000MHz-513280	125	±35	-40 to +85	3.3	LVPECL
ASG2-LJ-125.000MHz-513281	125	±35	-40 to +85	2.5	LVPECL
ASG2-LJ-156.250MHz-513282	156.25	±35	-40 to +85	3.3	LVPECL
ASG2-LJ-156.250MHz-513283	156.25	±35	-40 to +85	2.5	LVPECL
ASG2-LJ-200.000MHz-513284	200	±35	-40 to +85	3.3	LVPECL
ASG2-LJ-212.500MHz-513285	212.5	±35	-40 to +85	3.3	LVPECL
ASG2-LJ-250.000MHz-513286	250	±35	-40 to +85	3.3	LVPECL
ASG2-LJ-312.500MHz-513287	312.5	±35	-40 to +85	3.3	LVPECL
ASG2-LJ-400.000MHz-513288	400	±35	-40 to +85	3.3	LVPECL

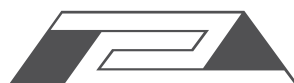




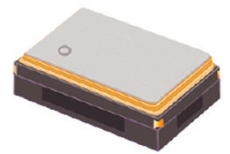
OPTIONS & PART IDENTIFICATION:

Table of Available Configurations (continued)

Abrakon P/N	Frequency (MHz)	Freq. Stability Over Temperature (ppm)	Operating Temperature (°C)	Supply Voltage (V)	Output Type
ASG2-LJ-1000.000MHz-513289	1000	±35	-40 to +85	3.3	LVPECL
ASG2-LJ-100.000MHz-513290	100	±35	-40 to +85	2.5	LVDS
ASG2-LJ-125.000MHz-513291	125	±35	-40 to +85	2.5	LVDS
ASG2-LJ-156.250MHz-513292	156.25	±35	-40 to +85	2.5	LVDS
ASG2-LJ-200.000MHz-513293	200	±35	-40 to +85	2.5	LVDS
ASG2-LJ-212.500MHz-513294	212.5	±35	-40 to +85	2.5	LVDS
ASG2-LJ-250.000MHz-513295	250	±35	-40 to +85	2.5	LVDS
ASG2-LJ-312.500MHz-513296	312.5	±35	-40 to +85	2.5	LVDS
ASG2-LJ-400.000MHz-513297	400	±35	-40 to +85	2.5	LVDS
ASG2-LJ-100.000MHz-513298	100	±35	-40 to +85	2.5	LVC MOS
ASG2-LJ-125.000MHz-513299	125	±35	-40 to +85	2.5	LVC MOS
ASG2-LJ-156.250MHz-513300	156.25	±35	-40 to +85	2.5	LVC MOS
ASG2-LJ-200.000MHz-513301	200	±35	-40 to +85	2.5	LVC MOS



Programmable – High Performance Low Jitter SMD XO



2.5 x 2.0 x 1.0 mm

ASG2-LJ

ESD Sensitive

RoHS / RoHS II Compliant

OUTLINE DIMENSION:

Top View

Recommended Land Pattern

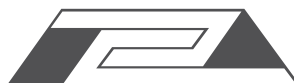
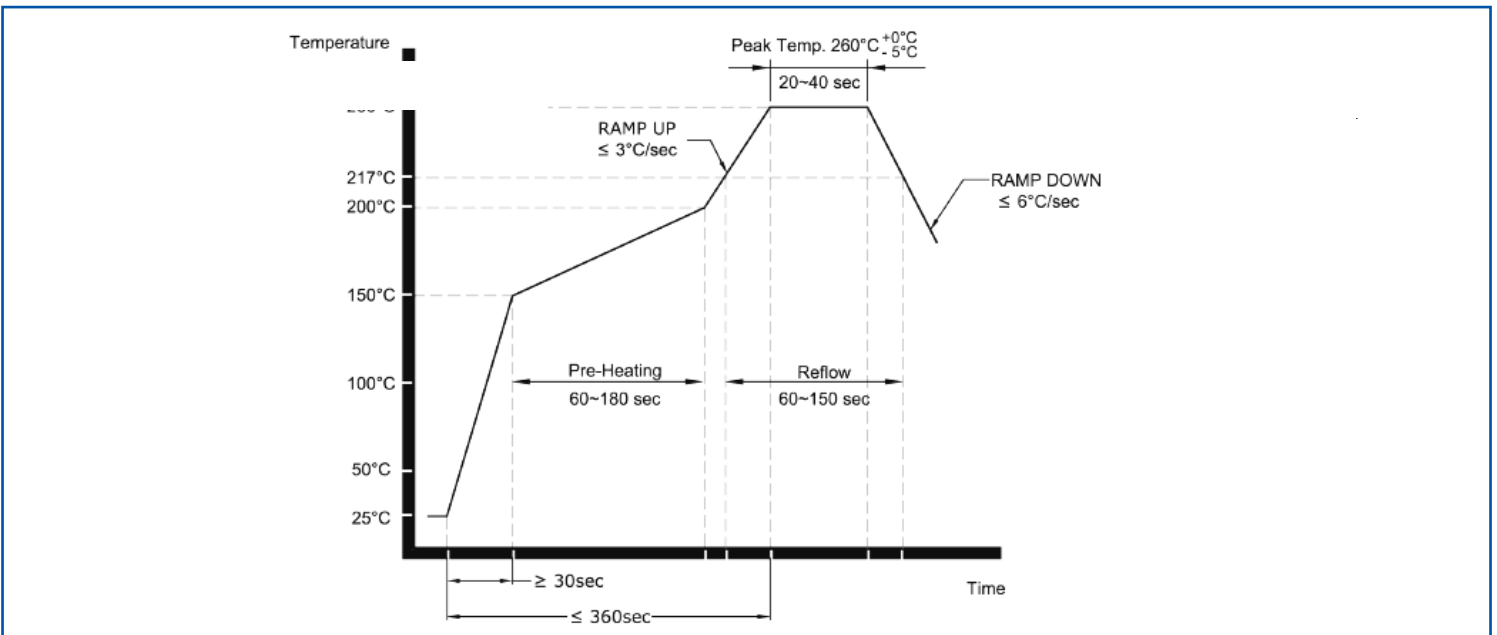
Bottom View

Side View

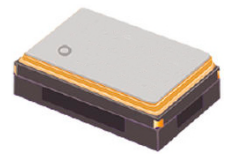
Pin #	Pin Description	
	LVC MOS	LVDS/LVPECL
1	Output Enable (OE)	
2	No Connect (N/C)	
3	GND	
4	RF Output	
5	No Connect (N/C)	Complimentary Output
6	Vdd	

Dimensions: mm

RECOMMENDED REFLOW PROFILE



Programmable – High Performance Low Jitter SMD XO



2.5 x 2.0 x 1.0 mm

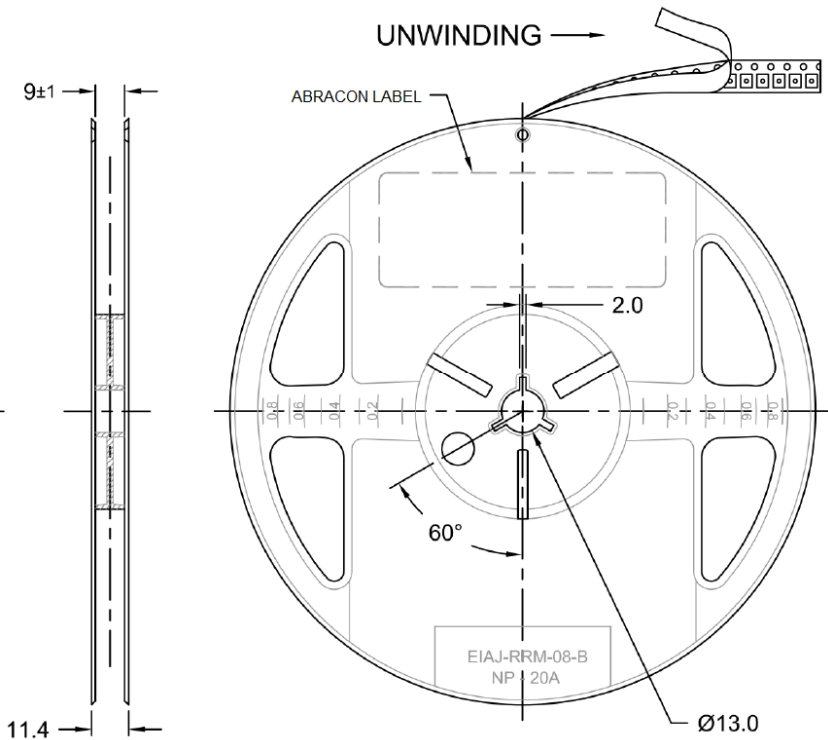
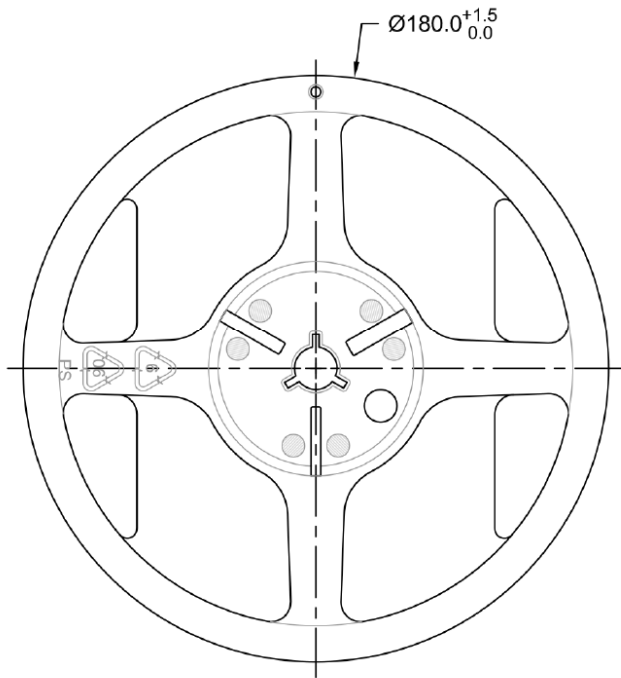
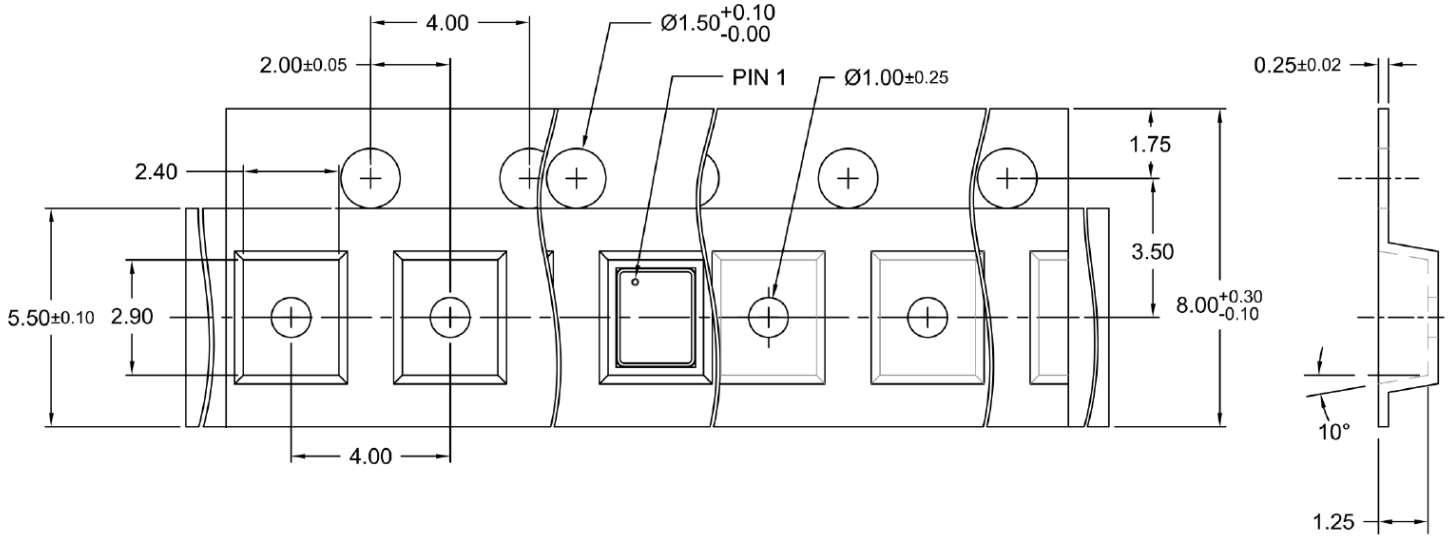
ASG2-LJ

ESD Sensitive

RoHS / RoHS II Compliant

TAPE & REEL:

T= Tape and reel (3,000pcs/reel)



Dimensions: mm

ATTENTION: Abracon Corporation's products are COTS – Commercial-Off-The-Shelf products; suitable for Commercial, Industrial and, where designated, Automotive Applications. Abracon's products are not specifically designed for Military, Aviation, Aerospace, Life-dependant Medical applications or any application requiring high reliability where component failure could result in loss of life and/or property. For applications requiring high reliability and/or presenting an extreme operating environment, written consent and authorization from Abracon Corporation is required. Please contact Abracon Corporation for more information.

ABRACON IS
ISO9001:2008
CERTIFIED



ABRACON
CORPORATION

Visit www.abracon.com for Terms & Conditions of Sale
30332 Esperanza, Rancho Santa Margarita, California 92688
tel 949-546-8000 | fax 949-546-8001 | www.abracon.com

Revised: 07.01.14

AMEYA360

Components Supply Platform

Authorized Distribution Brand :



Website :

Welcome to visit www.ameya360.com

Contact Us :

➤ Address :

401 Building No.5, JiuGe Business Center, Lane 2301, Yishan Rd
Minhang District, Shanghai , China

➤ Sales :

Direct +86 (21) 6401-6692

Email amall@ameya360.com

QQ 800077892

Skype [ameyasales1](#) [ameyasales2](#)

➤ Customer Service :

Email service@ameya360.com

➤ Partnership :

Tel +86 (21) 64016692-8333

Email mkt@ameya360.com