

AWHxG-E2x2-IDC-R

- Latches
 0 - without latches
 2 - with short latches
 3 - with long latches

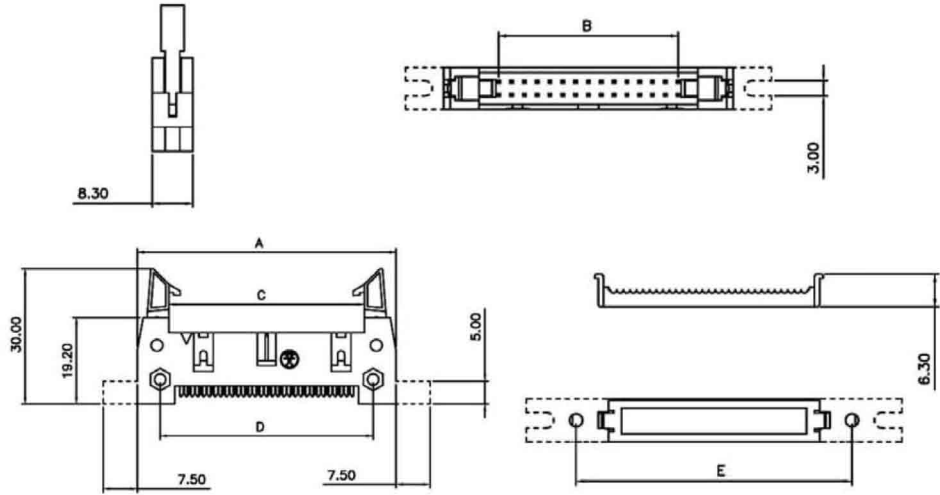
Number of Contacts
 10/14/16/20/26/34/40/44/50

Position	10	14	16	20	24	26
A	31.96	37.10	39.62	44.74	49.82	52.22
B	10.16	15.24	17.78	22.86	27.94	30.48
C	17.66	23.04	25.50	30.66	35.74	38.28
D	21.84	26.92	29.46	34.54	39.62	42.16
E	25.40	38.48	33.02	38.10	43.18	48.26
Position	30	34	40	50	60	64
A	57.46	62.52	70.18	82.74	95.68	100.70
B	35.56	40.64	48.26	60.96	73.66	78.74
C	43.58	48.44	56.60	68.76	81.45	86.54
D	46.74	52.32	59.94	72.64	85.34	90.42
E	53.26	58.42	66.04	60.96	73.66	78.74

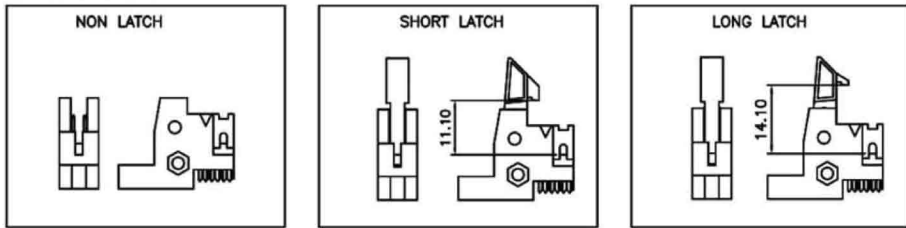
Current Rating: 3 Amps
 Insulator Resistance: 5000 Megohms min
 Dielectric Withstanding: AC 1000 V
 Operating Temperature: -40° ~ +105° C
 Contact Material: Copper Alloy
 Insulator Material: Polyester, UL 94V-0 Standard: PBT

Underplate: Nickel
 Contact Area: 100µ" Tin/Lead Free(Matte Tin)

Unit: MM±0.2MM



10. LATCH OPTION:



Scale	1:1	Added pos. to Dim. table	2/6/12	Miller	Name	Item No.	AWHxG-E2x2-IDC-R
TOLERANCE				Drawn	10.19.11	Chappell	
X.X	±0.40			Approved	2/6/12	Warner	Title Dual Row Header, 2.54MM pitch, DC Type with Mounting Ear
X.XX	±0.25						
X.XXX	±0.15						Drawing No.
Angle	±3°						rev 01
		Modification	Date	Name		Replace	Sheet