

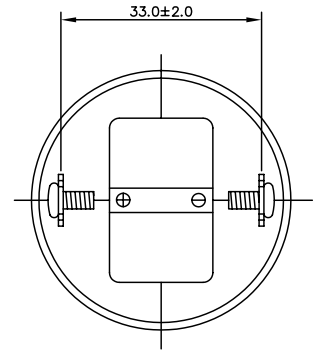
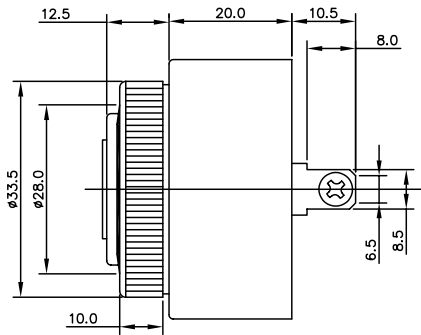
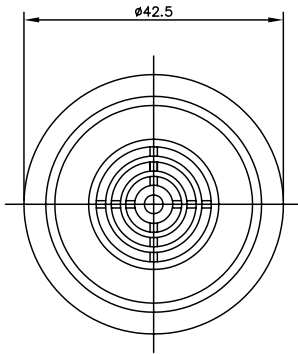
THIS DOCUMENT CONTAINS DATA PROPRIETARY TO PROJECTS UNLIMITED, INC. ANY USE OR REPRODUCTION, IN ANY FORM, WITHOUT PRIOR WRITTEN PERMISSION OF PROJECTS UNLIMITED, INC. IS PROHIBITED.
© 2003, Projects Unlimited Inc.

SPECIFICATIONS

PARAMETERS	VALUES	UNITS
RATED VOLTAGE	12	Vdc
OPERATING VOLTAGE RANGE	6 ~ 28	Vac/Vdc
RATED CURRENT (MAX)	10	mA
MINIMUM SPL @ 10 cm.	90	dB
RESONANT FREQUENCY	2,800±500	Hz
TONE OR PULSE RATE	FAST	3.0 PULSE PER SECOND
OPERATING TEMPERATURE	-30 ~ +85	°C
STORAGE TEMPERATURE	-40 ~ +85	°C
HOUSING MATERIAL	NYLON	-
TERMINAL MATERIAL	UL-94-V-0 TIN-PLATED TAPPED SCREW	-
WEIGHT	33.8	grams

REVISIONS

LTR	DESCRIPTION	DATE	APPROVED
-	RELEASED FROM ENGINEERING	2/25/04	
A	REVISED UNITS FOR VOLTAGE RANGE	4/14/04	R. W.
B	ADDED IP RATING	4/15/05	E. P.
C	REVISED VOLTAGE RANGE UNITS FROM Vdc TO Vac/Vdc	8/09/05	E. P.



NOTES:

1. ALL DIMENSIONS ARE IN MILLIMETERS.
2. SPECIFICATION SUBJECT TO CHANGE OR WITHDRAWAL WITHOUT NOTICE.
3. THIS PART IS IP67 RATED

UNLESS OTHERWISE SPECIFIED:
DIMENSIONS ARE IN MILLIMETERS, TOLERANCES ARE ±0.5 AND ANGLES ARE ±3°.

APPROVALS	DATE
DRAWN R. A. O.	2/04
APPROVED R. W.	2/04

THIS PART IS UL RECOGNIZED IN THE USA AND CANADA.
FILE NAME
AI-4228-P-FP28D.DWG



ELECTRO MECH. AUDIO INDICATOR
AI-4228-P-FP28D

SIZE A
DRAWING NO.
AI-4228-P-FP28D
SCALE: N.T.S. SHEET 1 OF 1