

## Features

- Pin-programmable Mode
- Supply Voltage Range 1.55V to 3.6V
- PHY IC\_USB1.0 Downstream Port
- Bridge USB2.0 Section 7 to IC\_USB1.0
- Bridge IC\_USB1.0 to USB2.0 Section 7
- 3.3V Voltage Reference
- Two 70mA LDO Voltage Regulators
- Less Than 5µA Static Current on Each Supply
- Slew Rate Control to Minimize Radiated EMI
- ESD 4kV Compliant with USB UICC
- Applications:
  - Mobile USB UICC (ETSI 102 600), PC USB UICC, Token USB

## Description

The AT73C260 is an Inter Chip USB transceiver fully compliant with the Universal Serial Bus Specification, and more specifically with the IC\_USB1.0 supplement. The AT73C260 is a bidirectional differential interface. The AT73C260 is ideal for applications in mobile devices, PCs and USB tokens making use of an USB UICC.

The AT73C260's upstream facing port may be connected to three different interfaces:

- Digital
- USB2.0 section 7 with or without cable
- IC\_USB1.0

The AT73C260's downstream port complies with IC\_USB1.0. The AT73C260's mode is selected by three pins. When PVCC is powered by 3.3V and pull down resistors are added on PDM and PDP, the AT73C260's downstream port complies with USB2.0 section 7.

The AT73C260 includes a 3.5V Supply Monitor, a Low Power Band-Gap, a 3.3V 70mA Linear Voltage Regulator and a 1.8V-3.0V 70mA Linear Voltage Regulator SIM FTA compliant Test 27.17.2.1.

The AT73C260 is specified over the industrial temperature range - 40°C to +85°C.

The AT73C260 is available in a 3 X 3 mm, 0.5mm pitch, QFN16 package.



## Power Management and Analog Companions (PMAAC)

### AT73C260

### Interchip USB Transceiver

(PHY - IC\_USB1.0, Voltage Class Converter, USB2.0 - IC\_USB1.0 Bridges)

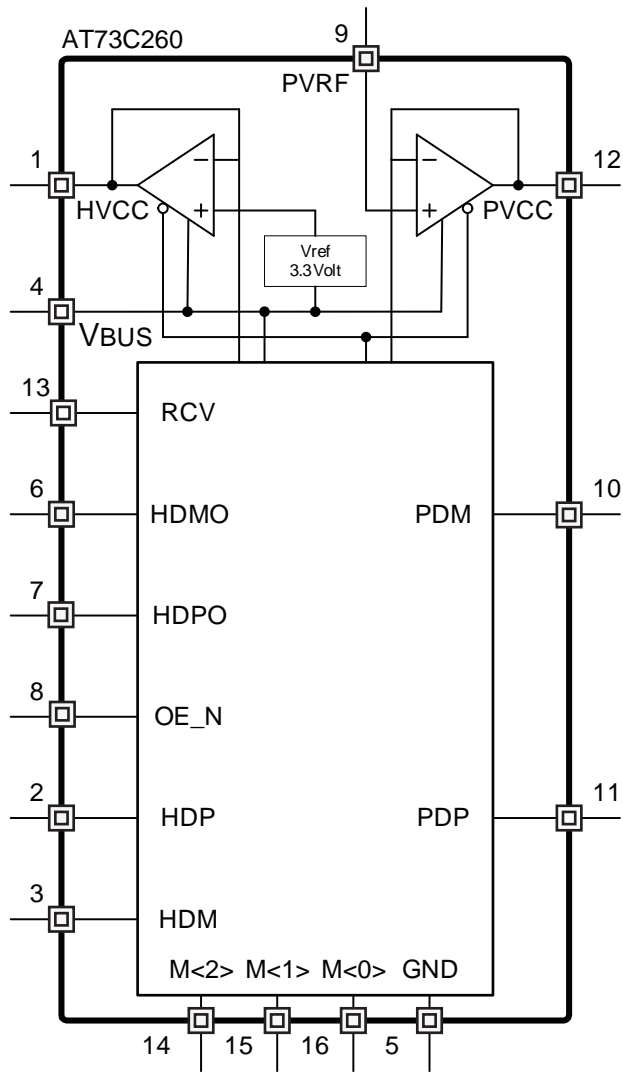
### Preliminary

11030A-PMAAC-13-Sep-10



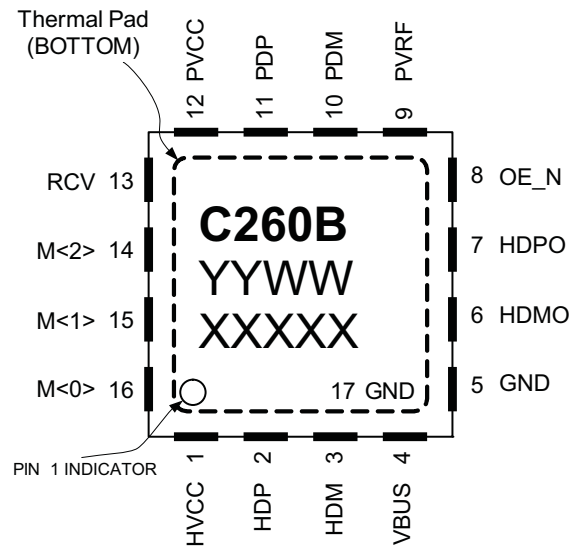
# 1. Block Diagram

Figure 1-1. AT73C260 functional block diagram



## 2. Package and Pinout

Figure 2-1. AT73C260 QFN16 package pinout - top view



### 3. Pin Description

**Table 3-1.** AT73C260 Pin Description

Pin Name	I/O	Pin Number	Type	Function
HVCC	Output	1	Analog	<p>Host Side VCC</p> <ul style="list-style-type: none"> <li>•When pin 4 (VBUS) is grounded. The LDO on pin HVCC is in standby and its output is isolated. The Host supplies HVCC with the appropriate voltage to the AT73C260's upstream transceiver.</li> <li>•When pin 4 (VBUS) is connected to a voltage source the internal voltage reference 3.3V and both LDO are activated. The LDO on pin 1 provides power at 3.3V to the AT73C260's upstream transceiver and it may source up to 70mA.</li> </ul>
HDP	I/O	2	Digital	Bidirectional
HDM	I/O	3	Digital	Bidirectional
VBUS	Input	4	Analog	Supply, provides power to the LDOs on pin 1 and 12
GND	Ground	5	Analog	GND Ground for Digital and I/Os
HDMO	Output	6	Digital	Output
HDPO	Output	7	Digital	Output
OE_N	Input	8	Digital	Input
PVRF	Input	9	Analog	PVCC LDO input reference
PDM	I/O	10	Digital	Bidirectional pad
PDP	I/O	11	Digital	Bidirectional pad
PVCC	Input	12	Analog	<p>Peripheral Side VCC</p> <ul style="list-style-type: none"> <li>•When pin 4 (VBUS) is grounded. The LDO on pin PVCC is in standby and its output is isolated. The application supplies PVCC with the appropriate voltage to the AT73C260's downstream transceiver.</li> <li>•When pin 4 (VBUS) is connected to a voltage source, the LDO on pin PVCC follows the voltage on pin PVRF. The LDO on pin PVCC provides power to the AT73C260's downstream transceiver and it may source up to 70mA.</li> </ul>
RCV	Output	13	Digital	Output
M<2>	Input	14	Digital	Input. For mode configuration
M<1>	Input	15	Digital	Input. For mode configuration
M<0>	Input	16	Digital	Input. For mode configuration
GND	Ground	17	Analog	Analog Ground. Thermal Pad. Shall be connected to GND for electrical and power dissipation reasons.

## 4. Absolute Maximum Ratings

**Table 4-1.** Absolute Maximum Ratings

Operating Temperature (Industrial).....	-40°C to + 85°C <sup>(1)</sup>
Storage Temperature.....	-55°C to + 150°C
Power Supply Input on H <sub>VCC</sub> .....	-0.3V to + 3.6V
Power Supply Input on V <sub>BUS</sub> .....	-0.3V to + 5.5V
Digital I/O Input Voltage.....	-0.3V to + 3.6V
All Other Pins.....	-0.3V to + 3.6V
ESD (all pins).....	4 KV HBM

\*NOTICE: Stresses beyond those listed under “Absolute Maximum Ratings” may cause permanent damage to the device. This is a stress rating only and functional operation of the device at these or other conditions beyond those indicated in the operational sections of this specification is not implied. Exposure to absolute maximum rating conditions for extended periods may affect device reliability.

Notes: 1. Refer to Power Dissipation Rating section)

## 5. Recommended Operating Conditions

**Table 5-1.** Recommended Operating Conditions

Parameter	Condition	Min	Max	Units
Operating Ambient Temperature <sup>(1)</sup>		-40	85	°C
Power Supply Output	P <sub>VCC</sub>	1.55	3.6	V
Power Supply Input	H <sub>VCC</sub>	1.55	3.6	V
Power Supply Input	V <sub>BUS</sub>	4.0	5.5	V

Note: 1. Refer to Power Dissipation Rating section

## 6. Power Dissipation Ratings

**Table 6-1.** Recommended Operating Conditions

Parameter	Condition	Min	Typ	Max	Units
Maximum Junction Temperature		-40	--	125	°C
R <sub>THJA</sub> <sup>(1)</sup>	Package thermal junction to ambient resistance	--	--	90	°C / W
Maximum On-chip Power Dissipation	Ambient temperature = 85°C	--	--	400	mW

Note: 1. According to specification JESD51-5

## 7. Electrical Characteristics

### 7.1 I/Os DC Characteristics Referred to H<sub>VCC</sub>

**Table 7-1.** H<sub>VCC</sub> Referred I/Os: HDP, HDM, RCV, HDMO, HDPO, OE\_N and M<2:0>

Symbol	Parameter	Comments	Min	Typ	Max	Units
H <sub>VCC</sub>	Host Side Supply Voltage	220nF ceramic capacitor <sup>(1)</sup>	1.55	--	3.6	V
I <sub>HVCC</sub>	Operating H <sub>VCC</sub> Supply Current	Full Speed Transceiver / Receiver at 12Mbps, C <sub>LOAD</sub> = 18pF on HDP and HDM during transmit	--	--	2	mA
V <sub>IH</sub>	Input High-Level Voltage	V <sub>OH</sub> > V <sub>OH_MIN</sub>	0.65 x H <sub>VCC</sub>	--	H <sub>VCC</sub> + 0.3	V
V <sub>IL</sub>	Input Low-Level Voltage	V <sub>OH</sub> < V <sub>OL_MAX</sub>	-0.3	--	0.35 x H <sub>VCC</sub>	V
V <sub>OH</sub>	Output High-Level Voltage	I <sub>OH</sub> = - 2mA	H <sub>VCC</sub> - 0.45	--	--	V
V <sub>OL</sub>	Output Low-Level Voltage	I <sub>OL</sub> = 2mA	--	--	0.45	V
R <sub>PDP</sub>	Pull-Down Resistors on HDP, HDM	All Cases	30	--	80	kΩ
R <sub>PU1</sub> <sup>(2)</sup>	Upstream Pull-Up Resistors on HDP	M<0> = 0 M<2:1> = connected to H <sub>VCC</sub>	0.9	--	3.09	kΩ
R <sub>PU2</sub> <sup>(3)</sup>	Upstream Pull-Up Resistors on HDP	M<2:0> = connected to H <sub>VCC</sub>	1	--	150	kΩ

- Notes:
1. A 220nF ceramic capacitor is connected between the pin H<sub>VCC</sub> and the pin GND and closest to H<sub>VCC</sub> pin.
  2. R<sub>PU1</sub> Pull Up resistor is as per the ECN "Pull-up/pull-down resistors" published by the USB-IF. R<sub>PU1</sub> value is between 900Ω and 1575Ω when the bus is idle and between 1425Ω and 3090Ω when the upstream device is transmitting
  3. R<sub>PU2</sub> Pull Up resistor is as per the IC\_USB1.0 published by the USB-IF. R<sub>PU2</sub> value is between 1kΩ and 3kΩ to attach and between 30kΩ and 150kΩ during idle.

### 7.2 I/Os DC Characteristics Referred to P<sub>VCC</sub>

**Table 7-2.** P<sub>VCC</sub> Referred I/Os: PDP, PDM

Symbol	Parameter	Comments	Min	Typ	Max	Units
P <sub>VCC</sub>	Peripheral Side Supply Voltage	220nF ceramic capacitor <sup>(1)</sup>	1.55	--	3.6	V
I <sub>PVCC</sub>	Operating P <sub>VCC</sub> Supply Current	Full Speed Transceiver / Receiver at 12Mbps, C <sub>LOAD</sub> = 18pF on PDP and PDM during transmit	--	--	2	mA
V <sub>IH</sub>	Input High-Level Voltage	V <sub>OH</sub> > V <sub>OH_MIN</sub>	0.65 x P <sub>VCC</sub>	--	P <sub>VCC</sub> + 0.3	V
V <sub>IL</sub>	Input Low-Level Voltage	V <sub>OH</sub> < V <sub>OL_MAX</sub>	-0.3	--	0.35 x P <sub>VCC</sub>	V
V <sub>OH</sub>	Output High-Level Voltage	I <sub>OH</sub> = - 2mA	P <sub>VCC</sub> - 0.45	--	--	V
V <sub>OL</sub>	Output Low-Level Voltage	I <sub>OL</sub> = 2mA	--	--	0.45	V
R <sub>PDH</sub>	Pull-Down Resistors	All Cases for PDP, PDM	30	--	80	kΩ

- Notes:
1. A 220nF ceramic capacitor is connected between the pin P<sub>VCC</sub> and the pin GND and closest to P<sub>VCC</sub> pin.

### 7.3 Timing Characteristics Table

Table 7-3. Timing Table

Symbol	Parameter	Comments	Min	Typ	Max	Units
T <sub>DELAY</sub>	Propagation Delay Time	H <sub>VCC</sub> = 3.3V and P <sub>VCC</sub> = 3.0V	--	37	--	ns
		H <sub>VCC</sub> = 3.3V and P <sub>VCC</sub> = 1.8V	--	42	--	ns
T <sub>SLEW_R_P</sub>	Slew Rate, Rise Time on PDP	10%-90%, C <sub>LOAD</sub> =33pF, P <sub>VCC</sub> =3.0V	--	5.7	--	ns
		10%-90%, C <sub>LOAD</sub> =33pF, P <sub>VCC</sub> =1.8V	--	10.5	--	
T <sub>SLEW_R_M</sub>	Slew Rate, Rise Time on PDM	10%-90%, C <sub>LOAD</sub> =33pF, P <sub>VCC</sub> =3.0V	--	5.6	--	
		10%-90%, C <sub>LOAD</sub> =33pF, P <sub>VCC</sub> =1.8V	--	10.6	--	
T <sub>SLEW_F_P</sub>	Slew Rate, Fall Time on PDP	10%-90%, C <sub>LOAD</sub> =33pF, P <sub>VCC</sub> =3.0V	--	6.1	--	
		10%-90%, C <sub>LOAD</sub> =33pF, P <sub>VCC</sub> =1.8V	--	7.6	--	
T <sub>SLEW_F_M</sub>	Slew Rate, Fall Time on PDM	10%-90%, C <sub>LOAD</sub> =33pF, P <sub>VCC</sub> =3.0V	--	6.1	--	
		10%-90%, C <sub>LOAD</sub> =33pF, P <sub>VCC</sub> =1.8V	--	7.7	--	
T <sub>ATTACH</sub>	Attachment Transit Time	M<2:0>=110, H <sub>VCC</sub> = 3.3V and P <sub>VCC</sub> = 3.0V	--	400	--	ns
T <sub>ATTACH</sub>	Attachment Transit Time	M<2:0>=111, H <sub>VCC</sub> = 1.8V and P <sub>VCC</sub> = 3.3V	--	400	--	ns

Notes: 1. External Capacitor is a 1µF or higher ceramic capacitor connected between the pin V<sub>BUS</sub> and the pin GND and closest to V<sub>BUS</sub> pin

### 7.4 V<sub>BUS</sub> Supply Characteristics

Table 7-4. V<sub>BUS</sub> Supply Monitor

Symbol	Parameter	Comments	Min	Typ	Max	Units
V <sub>BUS</sub>	Input Supply Voltage Range	1µF ceramic capacitor <sup>(1)</sup>	4.0	5.0	5.5	V
V <sub>TP</sub>	Positive Threshold		3.36	3.5	3.64	V
V <sub>TN</sub>	Negative Threshold		3.02	3.15	3.28	V
V <sub>HYS</sub>	Hysteresis		348	361	374	mV

Notes: 1. External Capacitor is a 1µF or higher ceramic capacitor connected between the pin V<sub>BUS</sub> and the pin GND and closest to V<sub>BUS</sub> pin

Table 7-5. V<sub>BUS</sub> Current Consumption

Symbol	Parameter	Comments	Min	Typ	Max	Units
V <sub>BUS</sub>	Input Supply Voltage Range	1µF ceramic capacitor <sup>(1)</sup>	4.0	5.0	5.5	V
I <sub>VBUS</sub>	V <sub>BUS</sub> Supply Current	V <sub>BUS</sub> active • H <sub>VCC</sub> = 3.3V nominal • 1.55V < P <sub>VRF</sub> < 3.6V • Loads = 0mA • Idle	--	100	150	µA

Notes: 1. External Capacitor is a 1µF or higher ceramic capacitor connected between the pin V<sub>BUS</sub> and the pin GND and closest to V<sub>BUS</sub> pin.

## 7.5 $H_{VCC}$ and $P_{VCC}$ Supplies Characteristics

### 7.5.1 $H_{VCC}$ and $P_{VCC}$ Current Consumption

**Table 7-6.**  $P_{VCC}$  and  $H_{VCC}$  Current Consumption

Symbol	Parameter	Comments	Min	Typ	Max	Units
$H_{VCC}$	Host Supply Voltage		1.55	--	3.6	V
$P_{VCC}$	Peripheral Supply Voltage		1.55	--	3.6	V
$I_{VCC}$	$X_{VCC}$ Supply Current	$V_{BUS} = 0V$ , $P_{VRF} = 0V$ • Loads = 0mA • Idle • $H_{VCC}$ forced at 3.6V • $P_{VCC}$ forced at 3.3V	--	--	5	$\mu A$

### 7.5.2 3.3V Supplied on $H_{VCC}$

When  $V_{BUS}$  is greater than 3.5V nominal, an internal LDO voltage regulator provides a 3.3V nominal voltage source on pin  $H_{VCC}$ .

**Table 7-7.**  $H_{VCC}$  LDO Characteristics

Symbol	Parameter	Comments	Min	Typ	Max	Units
$H_{VCC}^{(1)}$	Output Voltage	- Enabled when $V_{BUS}$ is greater than 3.5V typical. - Disabled when $V_{BUS}$ goes below 3.15V typical	3.0	3.3	3.6	V
$I_O$	Output Current		0	--	70	mA
$\Delta_{VDD\_IL}$	Static Load Regulation	• $V_{BUS} > 4.5V$ • $I_O = 10\%$ to 90%	--	--	10	mV
	Dynamic Load Regulation	• $V_{BUS} > 4.5V$ • $I_O = 10\%$ to 90% • $T_{RISE} = T_{FALL} = 5\mu s$	--	50	--	mV
$\Delta_{VDD\_VIN}$	Static Line Regulation	• $V_{BUS}$ from 4.3V to 5.5V • $I_O = \text{Max}$	--	--	20	mV
		• $V_{BUS}$ from 4.0V to 5.5V • $I_O = 7 \text{ mA}$	--	--	20	mV
$T_{START}$	Start-up Time	• $V_{BUS}$ From 0V to 5.0V • $T_{RISE} = 10\mu s$ • $I_O = 0mA$ • $V_{OUT} > 3.0V$	--	--	60	$\mu s$

Notes: 1. When  $V_{BUS}$  is present and greater than  $V_{TP}$  10k $\Omega$  pull down is removed on  $H_{VCC}$  and on  $P_{VCC}$  and LDO are started. When  $V_{BUS}$  goes below  $V_{TP}$ , a 10k $\Omega$  pull down is connected on  $H_{VCC}$  and  $P_{VCC}$  and LDO are disabled. When  $V_{BUS} = 0V$  and  $H_{VCC}$  and  $P_{VCC}$  within their normal range the 10k $\Omega$  pull down are disconnected.



## 7.5.3 Voltage Supplied on P<sub>VCC</sub>

When V<sub>BUS</sub> is greater than 3.5V nominal, an internal LDO Follower provides a voltage source on pin P<sub>VCC</sub>. The voltage on pin P<sub>VCC</sub> is equal to the voltage on pin P<sub>VRF</sub>.

**P<sub>VCC</sub> LDO is in accordance with FTA Test 3GPP - 27.17.2.1 dedicated for Subscriber Identity Module (SIM) application.**

**Table 7-8.** P<sub>VCC</sub> LDO Characteristics

Symbol	Parameter	Comments	Min	Typ	Max	Units
V <sub>BUS</sub>	Supply Input Voltage	On pin V <sub>BUS</sub>	4.0	5.0	5.5	V
P <sub>VCC</sub> <sup>(1)</sup>	Output Voltage	- Enabled when V <sub>BUS</sub> is greater than 3.5V typical. - Disabled when V <sub>BUS</sub> goes below 3.15V typical - 1.55V < P <sub>VRF</sub> < 3.6V	1.55	--	3.6	V
V <sub>OFF</sub>	Follower Offset Voltage	P <sub>VCC</sub> - P <sub>VRF</sub>	-40	--	40	mV
I <sub>O</sub>	Output Current		0	--	70	mA
ΔV <sub>DΔ</sub> <sub>IL</sub>	Static Load Regulation	• V <sub>BUS</sub> > 4.5V • I <sub>O</sub> = 10% to 90%	--	--	10	mV
	Dynamic Load Regulation	• V <sub>BUS</sub> > 4.5V • I <sub>O</sub> = 10% to 90% • T <sub>RISE</sub> = T <sub>FALL</sub> = 5μs	--	30	--	mV
ΔV <sub>DΔ</sub> <sub>VIN</sub>	Static Line Regulation	• V <sub>BUS</sub> from 4.3V to 5.5V • I <sub>O</sub> = Max	--	--	20	mV
		• V <sub>BUS</sub> from 4.0V to 5.5V • I <sub>O</sub> = 7 mA	--	--	20	mV
T <sub>START</sub>	Start-up Time	• V <sub>BUS</sub> is set at 5.0V • P <sub>VRF</sub> 0V to 1.8V with T <sub>RISE</sub> = 5μs • I <sub>O</sub> = 10mA • V <sub>OUT</sub> > 1.62V	--	20	35	μs
		• V <sub>BUS</sub> is set at 5.0V • P <sub>VRF</sub> 0V to 3.0V with T <sub>RISE</sub> = 5μs • I <sub>O</sub> = 10mA • V <sub>OUT</sub> > 2.7V	--	32	50	μs
T <sub>STOP</sub> <sup>(2)</sup>	Power-Off Time	• V <sub>BUS</sub> is set at 5.0V • P <sub>VRF</sub> 3.0V to 0V with T <sub>FALL</sub> = 5μs • R <sub>LOAD</sub> = 1KΩ. C <sub>OUT</sub> =220nF/ X5R • V <sub>OUT</sub> < 0.4V	--	--	525	μs
		• V <sub>BUS</sub> is set at 5.0V • P <sub>VRF</sub> 3.0V to 0V with T <sub>FALL</sub> = 5μs • I <sub>O</sub> = 7mA. C <sub>OUT</sub> =220nF/ X5R • V <sub>OUT</sub> < 0.4V	--	--	225	μs

Notes: 1. When V<sub>BUS</sub> is present and greater than V<sub>TP</sub>, 10kΩ pull down is removed on H<sub>VCC</sub> and on P<sub>VCC</sub> and LDO are started. When V<sub>BUS</sub> goes below V<sub>TP</sub>, a 10kΩ pull down is connected on H<sub>VCC</sub> and P<sub>VCC</sub> and LDO are disabled. When V<sub>BUS</sub> = 0V and H<sub>VCC</sub> and P<sub>VCC</sub> within their normal range the 10kΩ pull down are disconnected.

2. Off time is described in [Section 9.3.4 on page 16](#). To reduce T<sub>STOP</sub> time an external resistor is recommended. This value depends on C<sub>OUT</sub> and load applied on the system.

## 8. Components List.

**Table 8-1.** AT73C260 External Components List

Component Name	Component Type	Value / Tol.	Reference	Reference
R <sub>1</sub> , R <sub>2</sub>	Resistor	33 Ω +/- 5%	CRG0402J33R	
R <sub>3</sub>	Resistor	10 Ω +/- 5%	CRG0603J10R	
R <sub>4</sub>	Resistor	10kΩ +/- 1%	CPF0402F10KE1	
R <sub>5</sub>	Resistor	100kΩ +/- 1%	CPF0603F100KC1	
R <sub>6</sub> , R <sub>7</sub>	Resistor	22kΩ +/- 5%	CRG0402J22K	
C <sub>1</sub> , C <sub>2</sub>	Ceramic Capacitor COG	22pF +/- 20%	C1005COG1H220J	GRM1555C1H220JZ01
C <sub>3</sub>	Ceramic Capacitor X5R	1μF +/- 20%	C1005X5R0J105K	GRM155R60J105KE19
C <sub>4</sub>	Ceramic Capacitor X5R	220nF +/- 20%	C1005X5R1C224KT	GRM155R60J224KE01
C <sub>5</sub>	Ceramic Capacitor X5R	220nF +/- 20%	C1005X5R1C224KT	GRM155R60J224KE01

## 9. Functional Description

### 9.1 AT73C260's Upstream and Downstream Ports

This section relates to either upstream or downstream ports with digital, IC\_USB1.0 or USB2.0 section 7 electrical characteristics.

Table 9-1 shows the configuration of the upstream and downstream ports based on pins 14, 15 and 16 voltages.

- 0 is when the pin is connected to GND.
- 1 is when the pin is connected to  $H_{VCC}$ .

**Table 9-1.** Upstream and Downstream Ports

M<2> Pin 14	M<1> Pin 15	M<0> Pin 16	Upstream Port	Downstream Port
0	0	0	Digital	IC_USB1.0
0	0	1	Digital	IC_USB1.0
0	1	0	Digital	IC_USB1.0
0	1	1	Digital	IC_USB1.0
1	0	0	Not Used	Not Used
1	0	1	Digital	IC_USB1.0
1	1	0	Section 7	IC_USB1.0
1	1	1	IC_USB1.0	Section 7 <sup>(1)</sup> / IC_USB1.0

Notes: 1.  $P_{VCC}$  is set to 3.3V and external pull down resistors of  $22k\Omega \pm 5\%$  are connected, one between PDP and GND and the other between PDM and GND.

## 9.2 AT73C260 Pull Up and Pull Down Resistors

Pull down resistors  $R_{PDP}$  and  $R_{PDH}$  values and behaviors comply with the IC\_USB1.0 specification published by the USB-IF.

### 9.2.1 AT73C260 Upstream Port Connectivity ( $H_{VCC}$ , $H_{DP}$ , $H_{DM}$ ):

The host, IC\_USB1.0 or USB2.0 section 7, is connected to the AT73C260's upstream port.

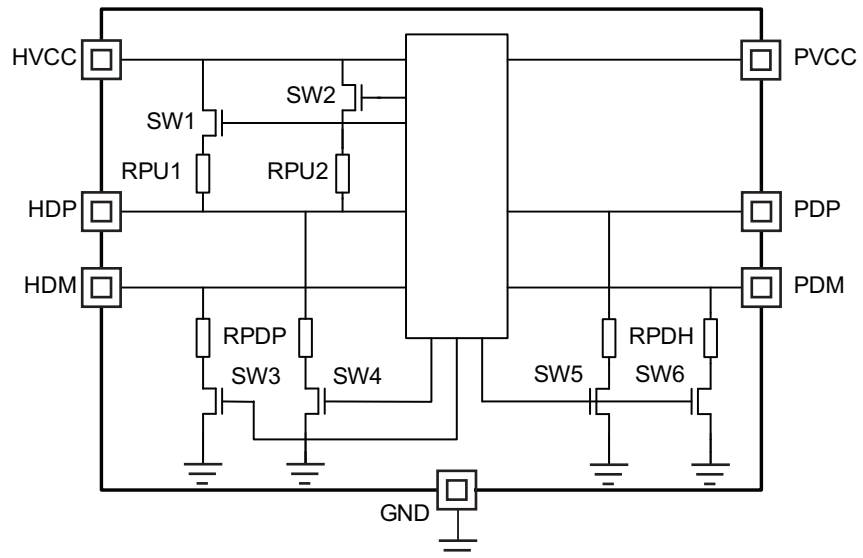
- When in IC\_USB 1.0  $R_{PU2}$  is selected.
- When in USB2.0 section 7  $R_{PU1}$  is selected.

### 9.2.2 AT73C260 Downstream Port Connectivity ( $P_{VCC}$ , $P_{DP}$ , $P_{DM}$ ):

The peripheral, IC\_USB1.0 or USB2.0 section 7, is connected to the AT73C260's downstream port.

- An IC\_USB1.0 peripheral is connected to the AT73C260's downstream port.
- An USB2.0 section 7 peripheral is connected to the AT73C260's downstream port with external pull down resistors as per precedent note <sup>(1)</sup> (See [Table 9-1 on page 11](#)).

**Figure 9-1.** AT73C260 Downstream and Upstream Ports



### 9.3 Theory Of Operation

#### 9.3.1 Remote Wake Up

The AT73C260 does not support remote wake up.

#### 9.3.2 Slew Rate Control

When the AT73C260 drives an IC\_USB bus section the output buffer on each line (Figure 9-2) drives the pin with a slew rate control to minimize radiated EMI.

Figure 9-2. AT73C260 Output Buffer

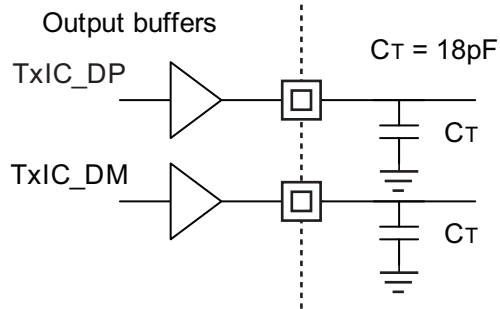
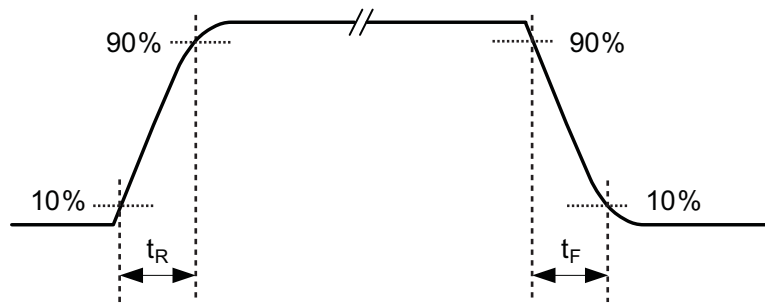


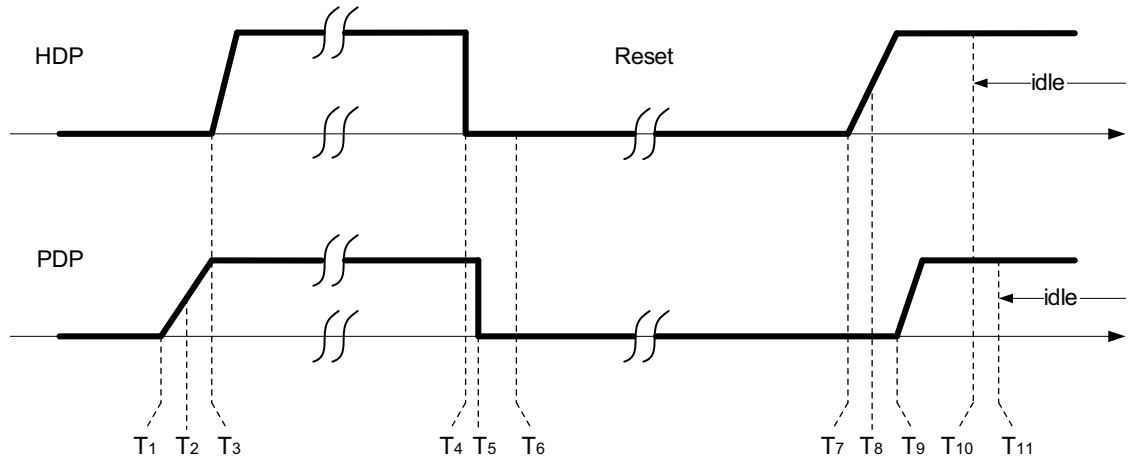
Figure 9-3. AT73C260 Output Buffer Slew Rate



Note: See Table 7-3 on page 7 for timing values.

### 9.3.3 Attach

**Figure 9-4.** AT73C260 Attach Sequence



In the following paragraphs, two different attach sequences are described according to the mode selected. Mode VCC and Mode S7\_ICC\_TK are explained.

#### 9.3.3.1 Attach Sequence "Mode VCC"

The following sequence describes the AT73C260 with an IC\_USB upstream connection and an IC\_USB downstream connection (**Mode VCC**). For hardware connection refers to "[Mode: Voltage Class Converter: VCC](#)" on page 34.

- $H_{VCC}$  and  $P_{VCC}$  are present and are in their dedicated voltage range.
- $R_{PU1}$  is not used (SW1 always open). (For more information about switches, refers to [Figure 9-1 on page 12](#))
- Before  $T_1$ ,  $R_{PDP}$  and  $R_{PDH}$  are connected.  $R_{PU2}$  is disconnected. (For more information about resistors, refers to [Figure 9-1 on page 12](#))
- **T<sub>1</sub>**: Peripheral event.  
Beyond  $T_1$ , PDP is driven high by the IC\_USB peripheral's pull-up resistor.
- **T<sub>2</sub>**: AT73C260 event.  
The signal is above  $V_{IH}$ . The AT73C260 verifies that the condition PDP is high lasts more than 200ns nominal. This information is passed to the AT73C260's Host side.
- **T<sub>3</sub>**: AT73C260 event.  
Beyond  $T_3$ ,  $R_{PU2}$  (2k nominal) is connected while  $R_{PDP}$  on HDP is disconnected.
- **T<sub>4</sub>**: Host event.  
From  $T_4$  the host drives the reset with SE0.
- **T<sub>5</sub>**: AT73C260 event.  
It takes 40 ns nominal beyond  $T_4$  for PDP to be driven low.
- **T<sub>6</sub>**: AT73C260 event.  
During reset the AT73C260 detects a SE0 for more than 1 $\mu$ s nominal. Beyond  $T_6$  both  $R_{PDH}$  are disconnected.

- **T<sub>7</sub>**: Host event.  
Host stops driving SE0. The AT73C260 with its 2k nominal resistor, pulls-up HDP.
- **T<sub>8</sub>**: AT73C260 event.  
The signal is above  $V_{IH}$ . (on HDP)
- **T<sub>9</sub>**: AT73C260 event.  
40ns nominal after  $T_8$ . From  $T_9$ , the AT73C260 drives high until  $V_{IH}$  (on PDP) is reached plus 100ns nominal until  $T_{11}$ .
- **T<sub>10</sub>**: AT73C260 event.  
Between  $T_7$  and  $T_{10}$ . HDP is pulled-up with 2k nominal until  $V_{IH}$  (on HDP) is reached plus 100ns. At  $T_{10}$   $R_{PU2}$  becomes 50k nominal.

### 9.3.3.2 Attach Sequence Mode S7\_ICC\_TK

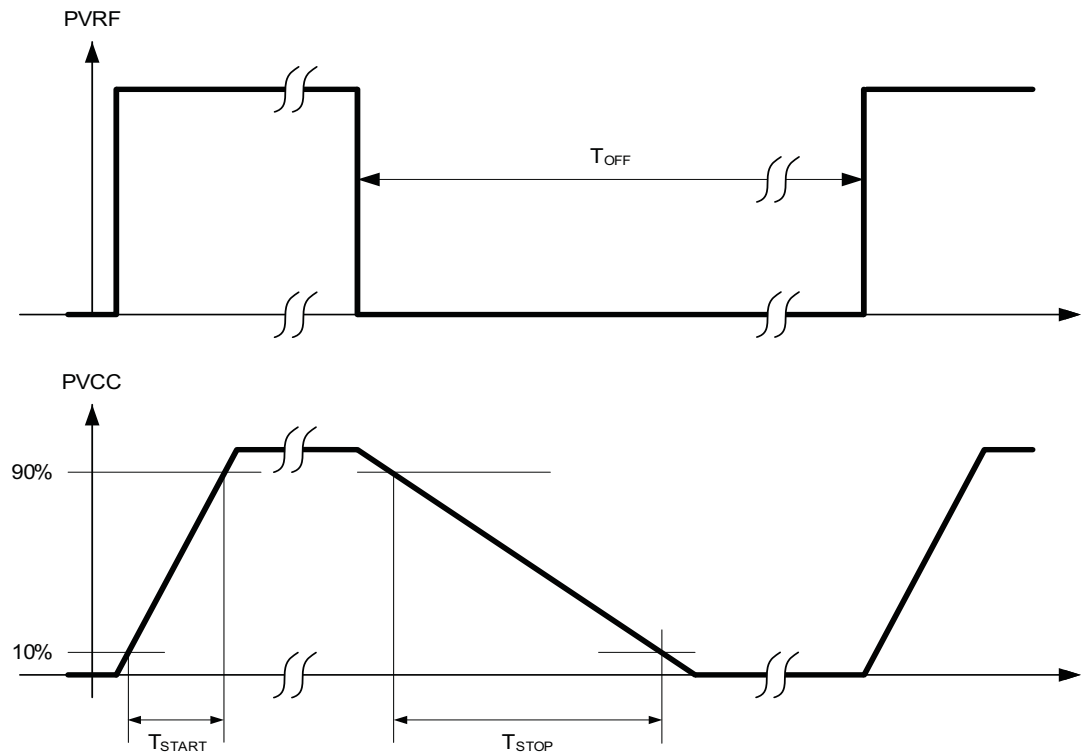
The following sequence describes the AT73C260 with an USB2.0 section 7 upstream connection and an IC\_USB downstream connection (**Mode S7\_ICC\_TK**). For hardware connection refers to “[Mode: USB2.0 section 7 to IC\\_USB1.0 with PVCC fixed by PVRF: S7\\_ICC\\_TK](#)” on [page 38](#).

- $H_{VCC} = 3.3V$  and  $P_{VCC}$  are present and are in their dedicated voltage range.
- $R_{PU2}$  is not used (SW2 always open).  $R_{PDP}$  are not used (SW3 and SW4 always open). (For more information about switches, refers to [Figure 9-1 on page 12](#))
- Before  $T_1$ ,  $R_{PDH}$  are connected.  $R_{PU2}$  is disconnected. (For more information about resistors, refers to [Figure 9-1 on page 12](#))
- **T<sub>1</sub>**: Peripheral event.  
Beyond  $T_1$ , PDP is driven high by the IC\_USB peripheral's pull-up resistor.
- **T<sub>2</sub>**: AT73C260 event.  
The signal is above  $V_{IH}$ . The AT73C260 verifies that the condition PDP is high lasts more than 200ns nominal. This information is passed to the AT73C260's Host side.
- **T<sub>3</sub>**: AT73C260 event.  
Beyond  $T_3$ ,  $R_{PU1}$  1.2k nominal, is connected.
- **T<sub>4</sub>**: Host event.  
From  $T_4$  the host drives the reset with SE0.
- **T<sub>5</sub>**: AT73C260 event.  
 $R_{PU1}$  becomes 2.2k nominal. It takes 40 ns nominal beyond  $T_4$  for PDP to be driven low.
- **T<sub>6</sub>**: AT73C260 event.  
During reset the AT73C260 detects a SE0 for more than 1 $\mu$ s nominal. Beyond  $T_6$  both  $R_{PDH}$  are disconnected.
- **T<sub>7</sub>**: Host event.  
Host stops driving SE0. The AT73C260 with its 2k nominal resistor, pulls-up HDP.
- **T<sub>8</sub>**: AT73C260 event.  
The signal is above  $V_{IH}$ . (on HDP)

- **T<sub>9</sub>**: AT73C260 event.  
40ns nominal after T<sub>8</sub>. From T<sub>9</sub>, the AT73C260 drives high until V<sub>IH</sub> (on PDP) is reached plus 100ns nominal until T<sub>11</sub>.
- **T<sub>10</sub>**: AT73C260 event.  
Between T<sub>7</sub> and T<sub>10</sub>, HDP is pulled-up with 2.2k nominal until V<sub>IH</sub> (on HDP) is reached plus 100ns. At T<sub>10</sub> R<sub>PU1</sub> becomes 1.2k nominal.

### 9.3.4 PVRF Driving PVCC

**Figure 9-5.** AT73C260 PVRF driving PVCC



When V<sub>BUS</sub>, pin 4, is providing power to the USB UICC via the LDOs, the voltage on P<sub>VCC</sub> (pin 12) is following the voltage on P<sub>VRF</sub> (pin 9).

T<sub>START</sub> is mostly related to the capacitive load on P<sub>VCC</sub> and the strength of the LDO's PMOS.

T<sub>START</sub> as mentioned in [Table 7-8 on page 9](#) is less than 50μs.

T<sub>STOP</sub> is mostly related to the load on P<sub>VCC</sub> since the LDO's PMOS is off when starts T<sub>OFF</sub>.

Certain applications may require P<sub>VCC</sub> to fall below a minimum voltage in less than T<sub>OFF</sub> and guarantee a Power On Reset sequence in the USB UICC when P<sub>VCC</sub> is set again. For these applications an extra load, such as a resistor across P<sub>VCC</sub> and GND in parallel with the USB UICC and the decoupling capacitor C5 may be required.

As an example, for T<sub>OFF</sub> = 0.4ms, a decoupling capacitor C5 of 220nF and an USB UICC in standby (less than 100μA) the extra resistor shall be less than 1kΩ.



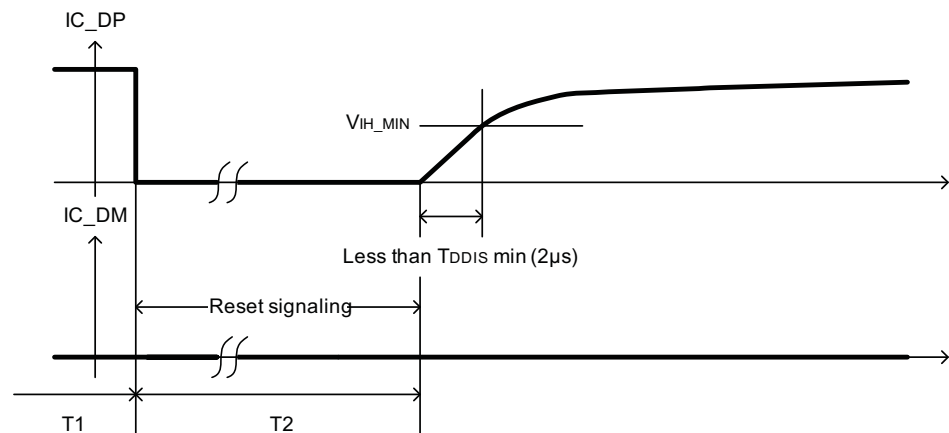
## 9.3.5 Reset Signaling

At the end of the Reset signaling on AT73C260's host side and peripheral sides the pulled up data line voltage has to reach  $V_{IH\_MIN}$  in less than  $T_{DDIS}$ , see Figure 9-6. If it is not the case, the host may see a disconnect condition.

Reset is forced during T2.

If a 100kΩ pull up resistor is used while the capacitive load is more than 20pF, the time constant is greater than 2μs. To avoid any disconnect condition, the AT73C260 pulls up the appropriate data line during about one bit duration with extra strength making the disconnect condition unlikely.

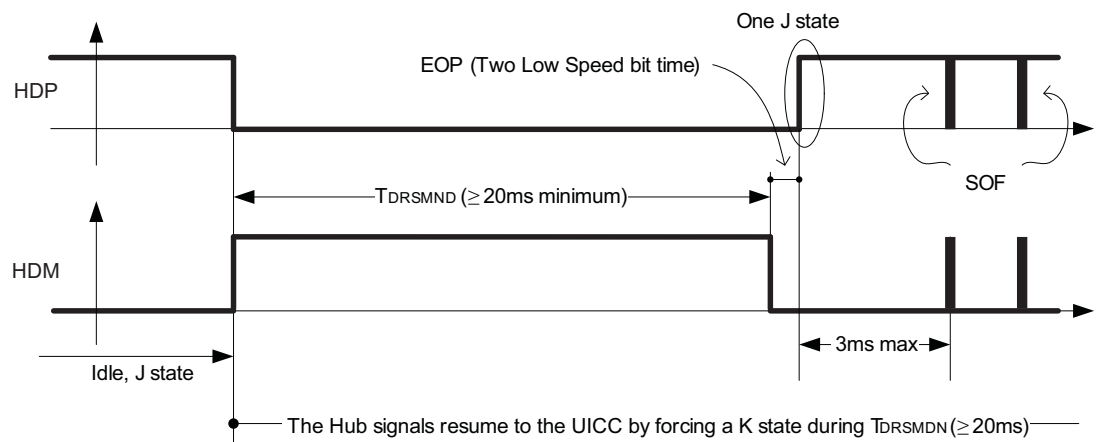
**Figure 9-6.** AT73C260 Reset Signaling



## 9.3.6 Resume Signaling

The AT73C260 supports resume signaling. The timings on IC\_DP and IC\_DM are those on HDP and HDM delayed by 40ns nominal.

**Figure 9-7.** AT73C260 Resume Signaling



- Notes:
1. J state means that HDP = 1 and HDM = 0.
  2. K state means that HDP = 0 and HDM = 1.
  3. SOF = Start Of Frame

## 9.4 General Description

The AT73C260 covers four main functions:

- PHY (described in [Section 9.4.3 on page 20](#))
- Bridge (described in [Section 9.4.4 on page 30](#))
- IC\_USB1.0 Voltage Class Converter (described in [Section 9.4.5 on page 34](#))
- Bridge with LDOs for two specific applications (described in [Section 9.4.6 on page 36](#)), and one extra function from many described as an example where the AT73C260 is an inter-chip PHY in a digital implementation (FPGA) of a peripheral.

### 9.4.1 Application Modes

The following [Table 9-2](#) lists the applications and pin settings.

**Table 9-2.** AT73C260 Application Modes <sup>(4)</sup>

Mode	Application	M<2> Pin 14	M<1> Pin 15	M<0> Pin 16	Function
PHY_6_SE0	Digital six wires unidirectional DAT_SE0 to IC_USB1.0	0	0	0	PHY
PHY_4_SE0	Digital four wires bidirectional DAT_SE0 to IC_USB1.0	0	0	1	PHY
PHY_6_DPDM	Digital six wires unidirectional DP_DM to IC_USB1.0	0	1	0	PHY
PHY_4_DPDM	Digital four wires bidirectional DP_DM to IC_USB1.0	0	1	1	PHY
PHY_3_ULPI	Digital three wires bidirectional (DAT, SE0, OE_N) to IC_USB1.0	1	0	1	PHY
S7_ICC	USB2.0 section 7 without cable to IC_USB1.0	1	1	0	Bridge
S7_ICC_DBB	USB2.0 section 7 with cable to IC_USB1.0, LDOs ON VCC driven by the Digital Base Band <sup>(2)</sup>	1	1	0	Bridge with LDOs
S7_ICC_TK	USB2.0 section 7 with cable to IC_USB1.0, LDOs ON VCC fixed by PVRF <sup>(3)</sup>	1	1	0	Bridge with LDOs
ICC_S7	IC_USB1.0 to USB2.0 section 7 <sup>(1)</sup>	1	1	1	Bridge
VCC	IC_USB1.0 to IC_USB1.0	1	1	1	Voltage Class Converter

- Notes:
1. 22kΩ Pull down on pins 10 and 11
  2. PC with Digital Base Band
  3. Token
  4. M<2:0> code "100" is not used

## 9.4.2 Function Descriptions

### 9.4.2.1 Downstream Port PHY:

A set of digital signals generated by an FPGA or an ASIC with I/O powered by a first power supply drive the AT73C260 which converts these signals into analog signals IC\_DP and IC\_DM as per IC\_USB1.0 powered by a second power supply.

### 9.4.2.2 Bridge:

Two cases are supported: USB2.0 section 7 to IC\_USB1.0 and IC\_USB1.0 to USB2.0 section 7.

- USB2.0 section 7 to IC\_USB1.0

Downstream D+ and D- signals drive the AT73C260 which converts these signals into analog signals IC\_DP and IC\_DM as per IC\_USB1.0.

- IC\_USB1.0 to USB2.0 section 7

Downstream IC\_USB1.0 signals drive the AT73C260 which converts these signals into analog signals D+ and D- as per USB2.0 section 7.

### 9.4.2.3 Voltage Class Converter:

The following applications enable communications between an IC\_USB1.0 compliant downstream port with a first voltage class  $V_1$  and an IC\_USB1.0 compliant peripheral with a second voltage class  $V_{CC}$ .

The range of the supplies, respectively Host and Device, are:  $H_{VCC}$  (1.55V - 3.6V) and  $P_{VCC}$  (1.55V - 3.6V)

### 9.4.2.4 Bridge with LDOs:

Two cases are supported: one for PC with embedded Digital Base Band and one for Token.

- PC with embedded Digital Base Band

The AT73C260 provides up to 70mA from  $V_{BUS}$  to the UICC under the  $V_{CC}$  required by the DBB.

Also the AT73C260 converts D+ and D- signals into analog signals IC\_DP and IC\_DM as per IC\_USB1.0.

- Token

The AT73C260 provides up to 70mA from  $V_{BUS}$  to the UICC under  $V_{CC}$ .

This voltage is generated by  $P_{VCC}$  LDO and set by an external resistor bridge supplied by 3.3V voltage reference ( $H_{VCC}$ ).

Also the AT73C260 converts D+ and D- signals into analog signals IC\_DP and IC\_DM as per IC\_USB1.0.

### 9.4.3 Downstream Port PHY

In mobile applications, the USB UICC is handled by the user and special care should be taken in the ESD protection on the downstream port facing the USB UICC. The AT73C260 downstream port is protected against 4kV ESD.

Also, the host and the USB UICC may not be located on the same board with a flex connecting the two PCBs. The AT73C260 should be located next to the host. The flex is between the AT73C260's downstream port and the USB UICC upstream port. The AT73C260 downstream port has slew rate control on both  $P_{DM}$  and  $P_{DP}$  to minimize the radiated EMI.

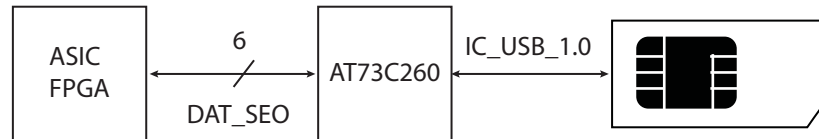
Pins  $V_{BUS}$  and  $P_{VRF}$  are connected to GND and LDO outputs are isolated and in standby.

#### 9.4.3.1 Mode: Digital six wires unidirectional DAT\_SE0 to IC\_USB1.0: PHY\_6\_SE0

##### Description

This application allows a Host, ASIC or FPGA, with the digital unidirectional Philips PDIUSBP11A (MODE pin = 0) six wires interface to drive an IC\_USB downstream port.

**Figure 9-8.** PHY\_6\_SE0 Block Diagram



##### Hardware Configuration

In the following tables, the pin and the hardware configuration are described.

**Table 9-3.** AT73C260 Hardware Configuration

Mode	M<2> Pin 14	M<1> Pin 15	M<0> Pin 16	Application
PHY_6_SE0	0	0	0	Digital six wires unidirectional DAT_SE0 to IC_USB1.0

**Table 9-4.** AT73C260 Pin description and configuration

Pin Number	Pin Name	I/O Type	Polarity	Function
1	HVCC	A-Power	--	Supply by ASIC FPGA I/O Ring (1.55V to 3.6V)
2	TX_DAT	D-Input	--	Unidirectional Transmit Data
3	TX_SEO	D-Input	--	Unidirectional Transmit Single Ended 0
4	VBUS	A-Input	--	Not Used and Connected to Ground
6	RX_DM	D-Output	--	Unidirectional Receiving DM
7	RX_DP	D-Output	--	Unidirectional Receiving DP
8	TX_ENABLE_N	D-Input	Low	Tx Enable N
9	PVRF	A-Input	--	Connected to Ground
10	PDM	D-I/O	--	Downstream Port for USB Device

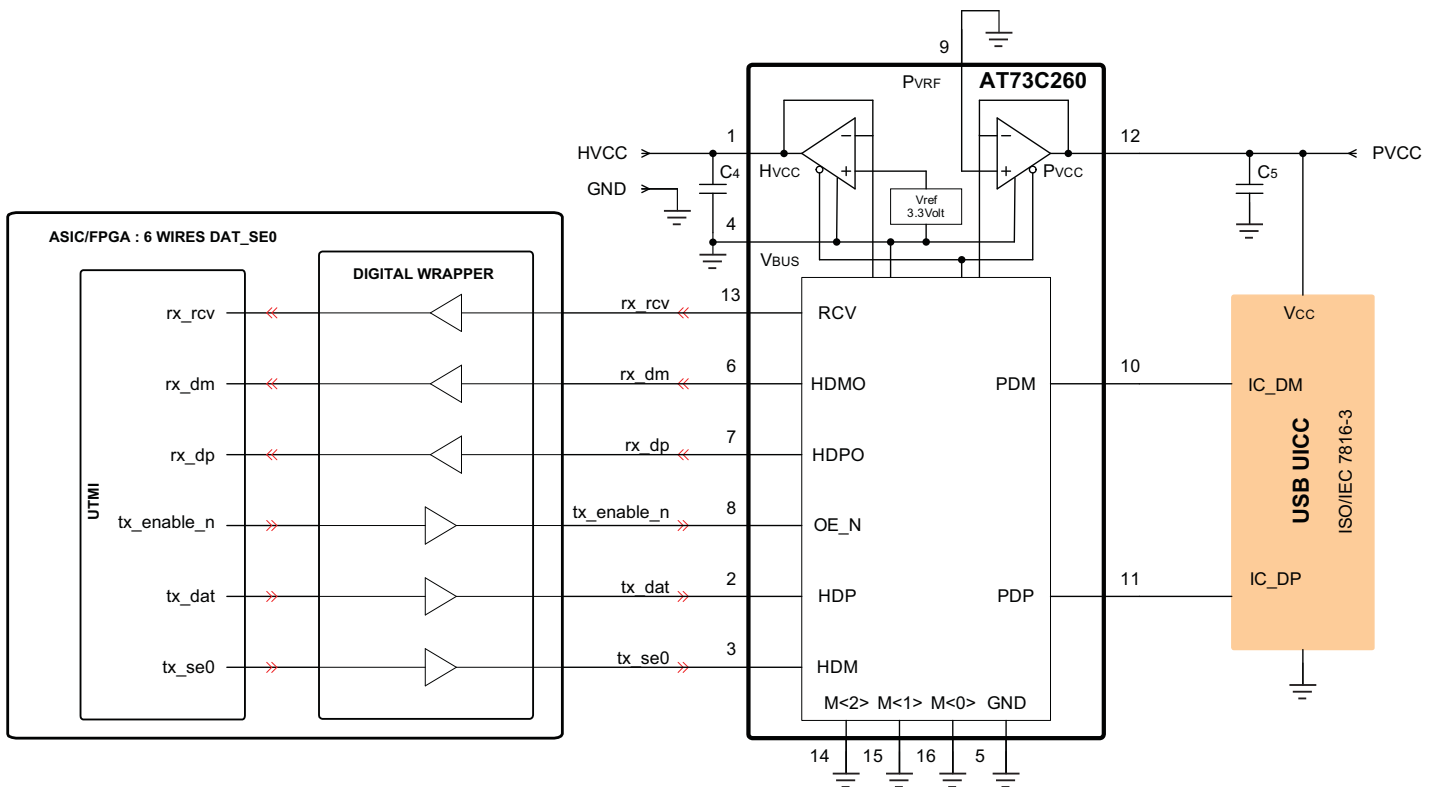
**Table 9-4.** AT73C260 Pin description and configuration

Pin Number	Pin Name	I/O Type	Polarity	Function
11	PDP	D-I/O	--	Downstream Port for USB Device
12	PVCC	A-Power	--	Same as peripheral's power (1.8V or 3V typical)
13	RX_RCV	D-Output	--	Unidirectional Receiving RCV
14, 15, 16	M<2:0>	D-Inputs	Low	Connected to Ground

### Application Diagram

In the following figure, the hardware configuration is described.

**Figure 9-9.** AT73C260: PHY - 6 wires DAT\_SE0 to IC\_USB1.0 - application diagram



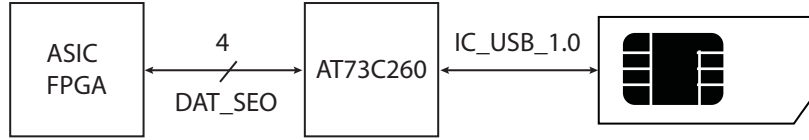
Note: All external components are defined in component list [Table 8-1 on page 10](#)

9.4.3.2 Mode: Digital four wires bidirectional DAT\_SE0 to IC\_USB1.0: PHY\_4\_SE0

**Description**

This application allows a Host, ASIC or FPGA, with the digital bidirectional UTMIfs, DAT\_SE0, four wires interface to drive an IC\_USB downstream port.

**Figure 9-10.** PHY\_4\_SE0 Block Diagram



**Hardware Configuration**

In the following tables, the pin and the hardware configuration are described.

**Table 9-5.** AT73C260 Hardware Configuration

Mode	M<2> Pin 14	M<1> Pin 15	M<0> Pin 16	Application
PHY_4_SE0	0	0	H <sub>VCC</sub>	Digital four wires bidirectional DAT_SE0 to IC_USB1.0

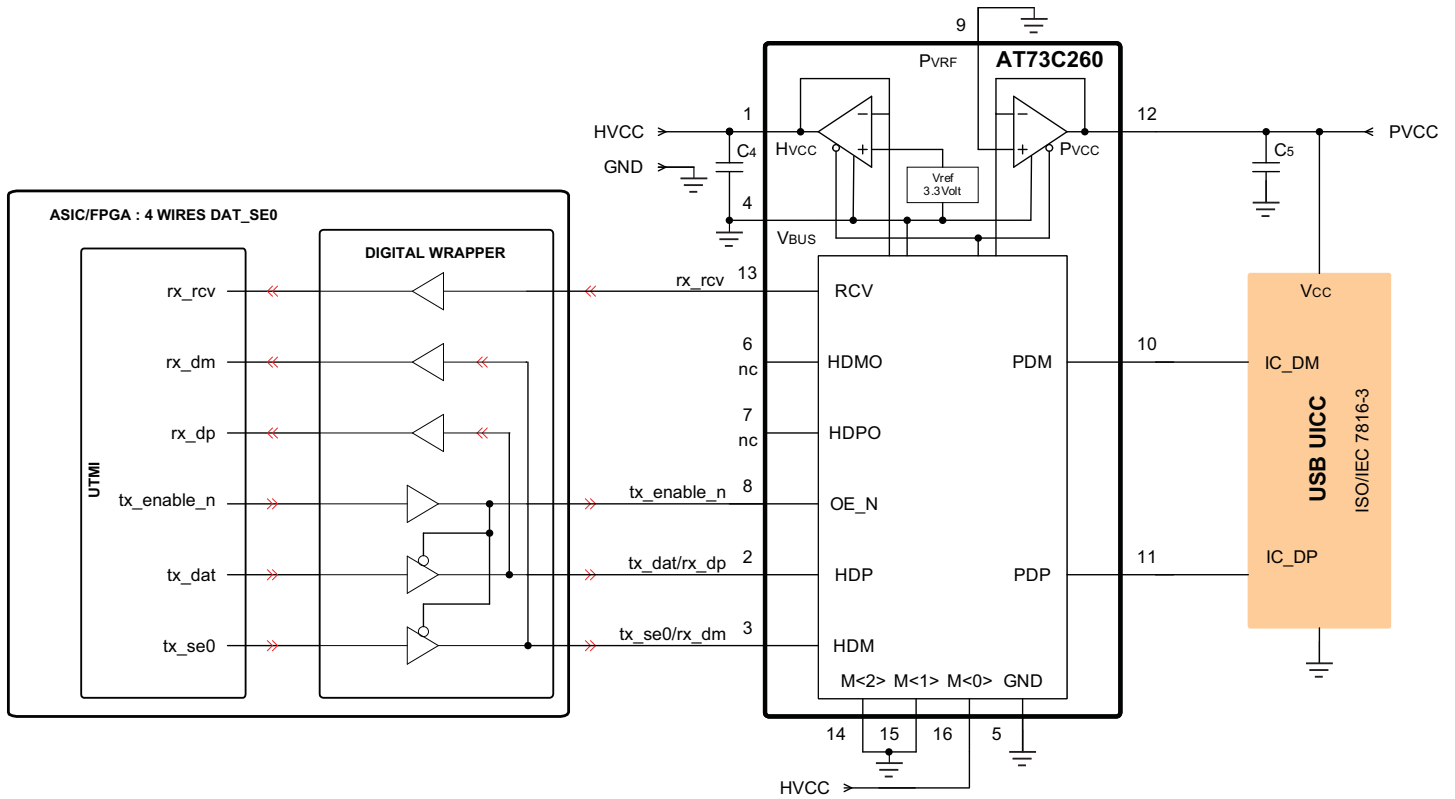
**Table 9-6.** AT73C260 Pin description and configuration

Pin Number	Pin Name	I/O Type	Polarity	Function
1	HVCC	A-Power	--	Supply by ASIC FPGA I/O Ring (1.55V to 3.6V)
2	TX_DAT/RX_DP	D-I/O	--	Bidirectional Rx_Dp/Tx_Data
3	TX_SE0/RX_DM	D-I/O	--	Bidirectional Rx_DM/Tx_Single Ended 0
4	VBUS	A-Input	--	Not Used and Connected to Ground
6	HDMO	D-Output	HiZ	Not Connected
7	HDPO	D-Output	HiZ	Not Connected
8	TX_ENABLE_N	D-Input	Low	Tx Enable N
9	PVRF	A-Input	--	Connected to Ground
10	PDM	D-I/O	--	Downstream Port for USB Device
11	PDP	D-I/O	--	Downstream Port for USB Device
12	PVCC	A-Power	--	Same as peripheral's power (1.8V or 3V typical)
13	RX_RCV	D-Output	--	Unidirectional Receiving RCV
14, 15	M<2:1>	D-Inputs	Low	Connected to Ground
16	M<0>	D-Input	High	Connected to H <sub>VCC</sub>

## Application Diagram

In the following figure, the hardware configuration is described.

**Figure 9-11.** AT73C260: PHY - 4 wires DAT\_SE0 to IC\_USB1.0 - application diagram



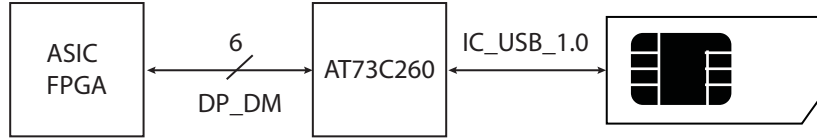
Note: All external components are defined in component list [Table 8-1 on page 10](#)

9.4.3.3 Mode: Digital six wires unidirectional DP\_DM to IC\_USB1.0: PHY\_6\_DPDM

**Description**

This application allows a Host, ASIC or FPGA, with the digital unidirectional Philips PDIUSBP11A (MODE pin = 1) six wires interface to drive an IC\_USB downstream port.

**Figure 9-12.** PHY\_6\_DPDM Block Diagram



**Hardware Configuration**

In the following tables, the pin and the hardware configuration are described.

**Table 9-7.** AT73C260 Hardware Configuration

Mode	M<2> Pin 14	M<1> Pin 15	M<0> Pin 16	Application
PHY_6_DPDM	0	H <sub>VCC</sub>	0	Digital six wires unidirectional DP_DM to IC_USB1.0

**Table 9-8.** AT73C260 Pin description and configuration

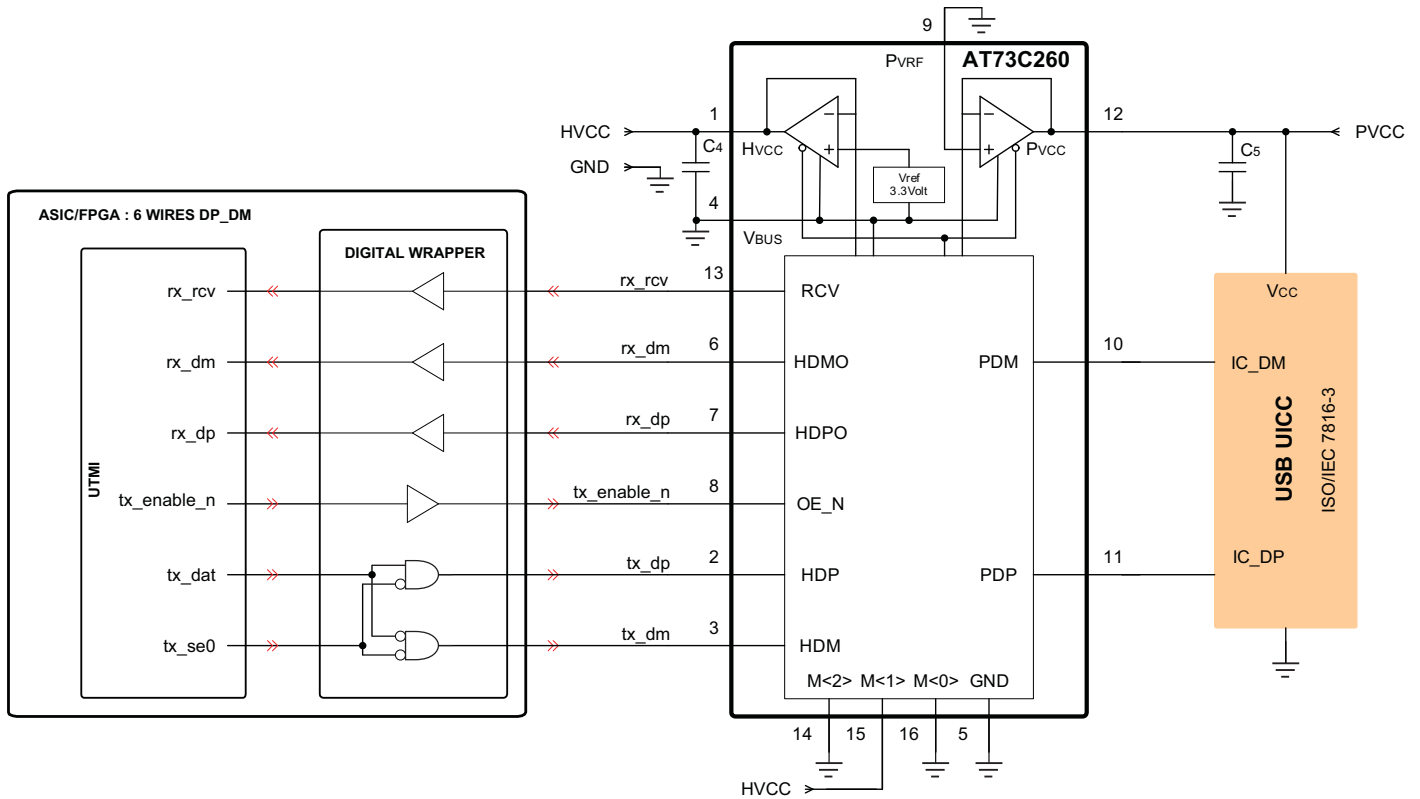
Pin Number	Pin Name	I/O Type	Polarity	Function
1	HVCC	A-Power	--	Supply by ASIC FPGA I/O Ring (1.55V to 3.6V)
2	TX_DP	D-Input	--	Unidirectional Tx DP
3	TX_DM	D-Input	--	Unidirectional Tx DM
4	VBUS	A-Input	--	Not Used and Connected to Ground
6	RX_DM	D-Output	--	Unidirectional Rx DM
7	RX_DP	D-Output	--	Unidirectional Rx DP
8	TX_ENABLE_N	D-Input	Low	Tx Enable N
9	PVRF	A-Input	--	Connected to Ground
10	PDM	D-I/O	--	Downstream Port for USB Device
11	PDP	D-I/O	--	Downstream Port for USB Device
12	PVCC	A-Power	--	Same as peripheral's power (1.8V or 3V typical)
13	RX_RCV	D-Output	--	Unidirectional Receiving RCV
14	M<2>	D-Input	Low	Connected to Ground
15	M<1>	D-Input	High	Connected to H <sub>VCC</sub>
16	M<0>	D-Input	Low	Connected to Ground



**Application Diagram**

In the following figure, the hardware configuration is described.

**Figure 9-13.** AT73C260: PHY - 6 wires DP\_DM to IC\_USB1.0 - application diagram



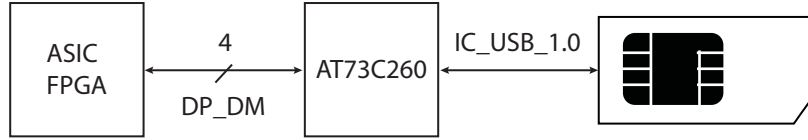
Note: All external components are defined in component list [Table 8-1 on page 10](#)

9.4.3.4 Mode: Digital four wires bidirectional DP\_DM to IC\_USB1.0: PHY\_4\_DPDM

**Description**

This application allows a Host, ASIC or FPGA, with the digital bidirectional UTMIfs, DP\_DM, four wires interface to drive an IC\_USB downstream port.

**Figure 9-14.** PHY\_4\_DPDM Block Diagram



**Hardware Configuration**

In the following tables, the pin and the hardware configuration are described.

**Table 9-9.** AT73C260 Hardware Configuration

Mode	M<2> Pin 14	M<1> Pin 15	M<0> Pin 16	Application
PHY_4_DPDM	0	H <sub>VCC</sub>	H <sub>VCC</sub>	Digital four wires bidirectional DP_DM to IC_USB1.0

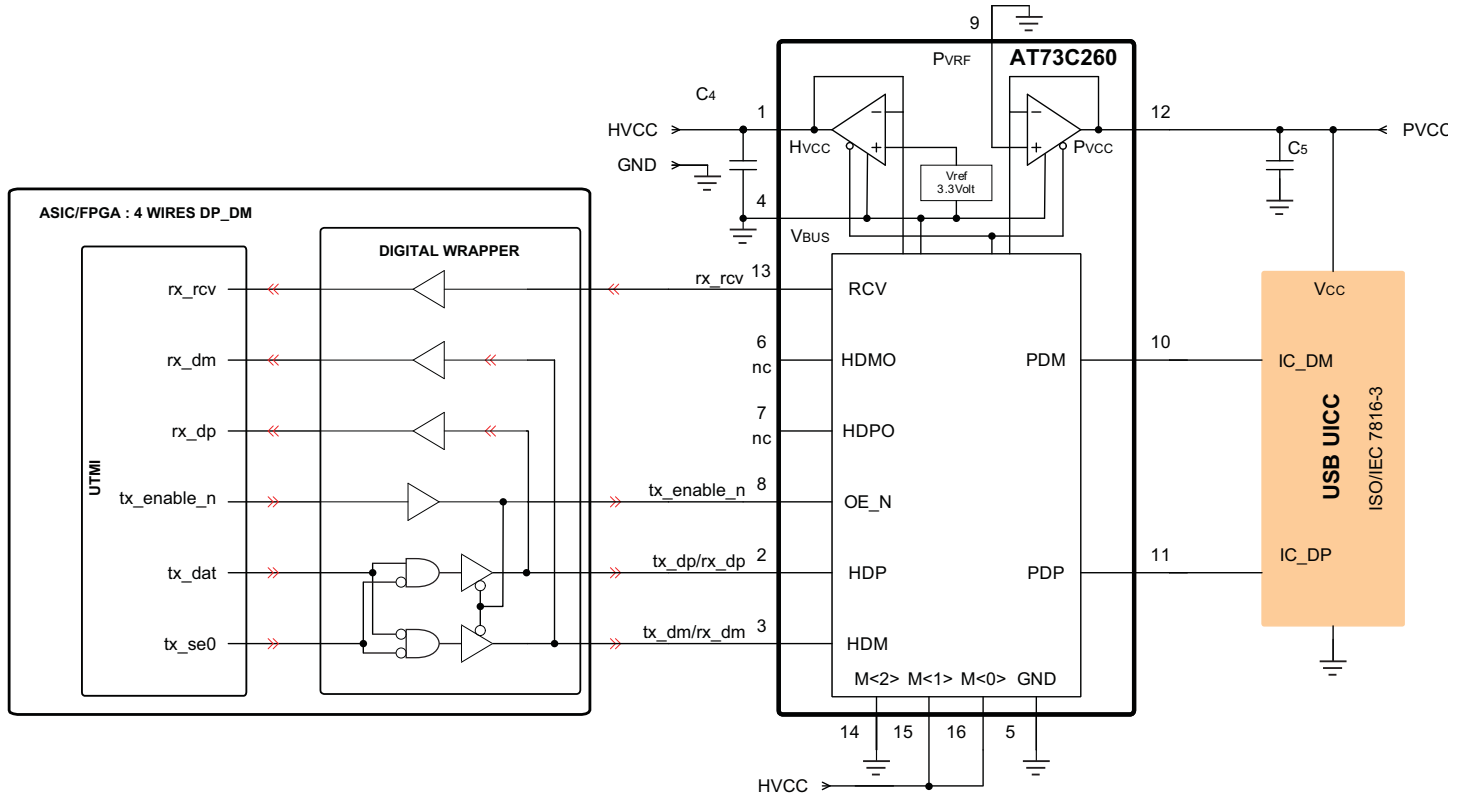
**Table 9-10.** AT73C260 Pin description and configuration

Pin Number	Pin Name	I/O Type	Polarity	Function
1	HVCC	A-Power	--	Supply by ASIC FPGA I/O Ring (1.55V to 3.6V)
2	TX_DP/RX_DP	D-I/O	--	Bidirectional Tx_Dp/Dx_DP
3	TX_DM/RX_DM	D-I/O	--	Bidirectional Tx_Dm/Dx_DM
4	VBUS	A-Input	--	Not Used and Connected to Ground
6	HDMO	D-Output	HiZ	Not Connected
7	HDPO	D-Output	HiZ	Not Connected
8	TX_ENABLE_N	D-Input	Low	Tx Enable N
9	PVRF	A-Input	--	Connected to Ground
10	PDM	D-I/O	--	Downstream Port for USB Device
11	PDP	D-I/O	--	Downstream Port for USB Device
12	PVCC	A-Power	--	Same as peripheral's power (1.8V or 3V typical)
13	RX_RCV	D-Output	--	Unidirectional Receiving RCV
14	M<2>	D-Input	Low	Connected to Ground
15,16	M<1:0>	D-Inputs	High	Connected to H <sub>VCC</sub>

## Application Diagram

In the following figure, the hardware configuration is described.

**Figure 9-15.** AT73C260: PHY - 4 wires DP\_DM to IC\_USB1.0 - application diagram



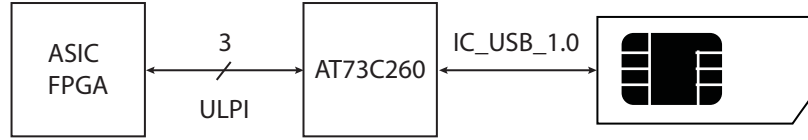
Note: All external components are defined in component list [Table 8-1 on page 10](#)

9.4.3.5 Mode: Digital three wires bidirectional (DAT, SE0, OE\_N) to IC\_USB1.0: PHY\_3\_ULPI

**Description**

This application allows a Host, ASIC or FPGA, with the digital bidirectional ULPI serial support, DAT, SE0, and OE\_N, three wires interface to drive an IC\_USB downstream port.

**Figure 9-16.** PHY\_3\_ULPI Block Diagram



**Hardware Configuration**

In the following tables, the pin and the hardware configuration are described.

**Table 9-11.** AT73C260 Hardware Configuration

Mode	M<2> Pin 14	M<1> Pin 15	M<0> Pin 16	Application
PHY_3_ULPI	H <sub>VCC</sub>	0	H <sub>VCC</sub>	Digital three wires bidirectional DAT, SE0, OE_N to IC_USB1.0

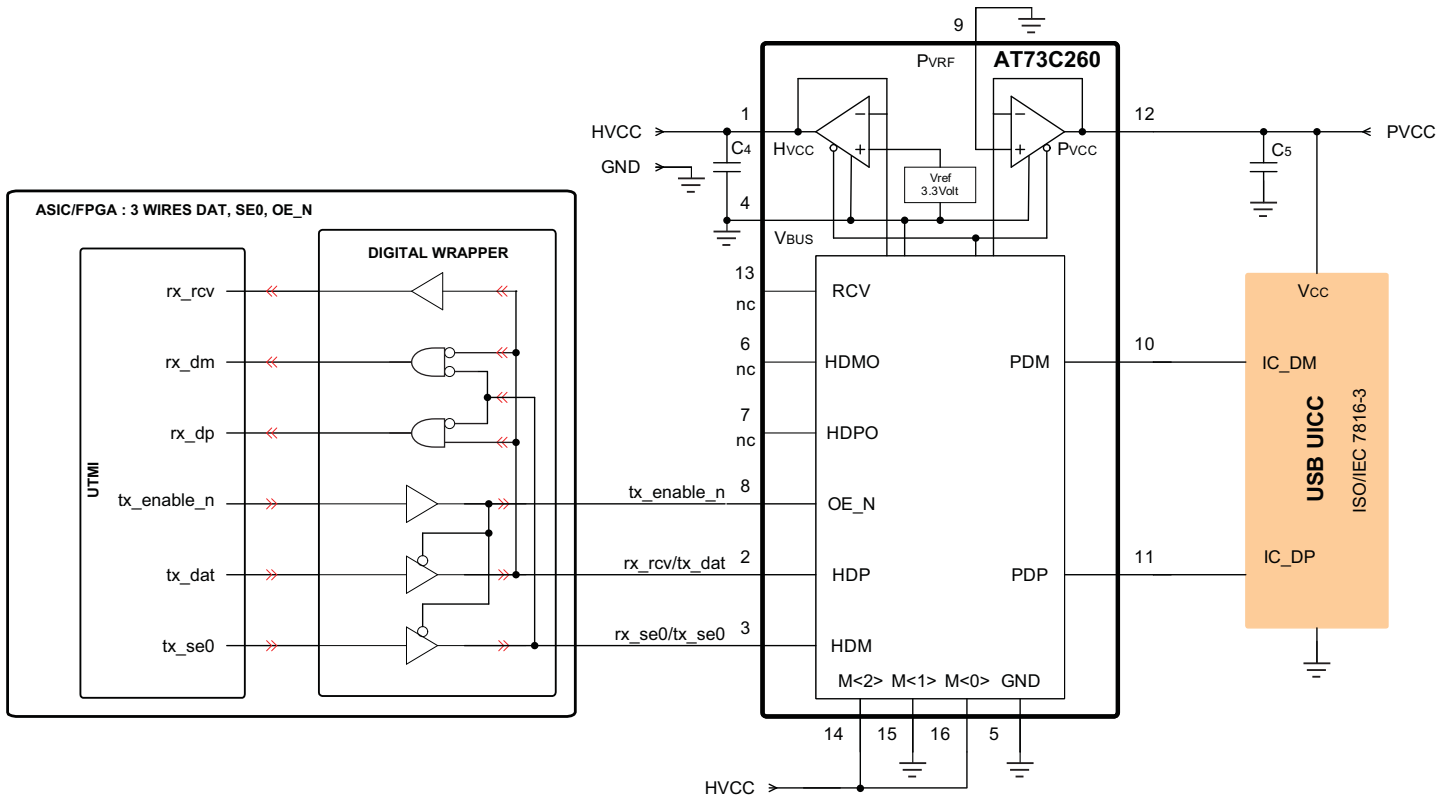
**Table 9-12.** AT73C260 Pin description and configuration

Pin Number	Pin Name	I/O Type	Polarity	Function
1	HVCC	A-Power	--	Supply by ASIC FPGA I/O Ring (1.55V to 3.6V)
2	RX_RCV/TX_DAT	D-I/O	--	Bidirectional Rx_RCV / Tx_Data
3	RX_SE0/TX_SE0	D-I/O	--	Bidirectional Rx_SE0/Tx_SE0
4	VBUS	A-Input	--	Not Used and Connected to Ground
6	HDMO	D-Output	HiZ	Not Connected
7	HDPO	D-Output	HiZ	Not Connected
8	TX_ENABLE_N	D-Input	Low	Tx Enable N
9	PVRF	A-Input	--	Connected to Ground
10	PDM	D-I/O	--	Downstream Port for USB Device
11	PDP	D-I/O	--	Downstream Port for USB Device
12	PVCC	A-Power	--	Same as peripheral's power (1.8V or 3V typical)
13	RCV	D-Output	HiZ	Not Connected
14	M<2>	D-Input	High	Connected to H <sub>VCC</sub>
15	M<1>	D-Inputs	Low	Connected to Ground
16	M<0>	D-Inputs	High	Connected to H <sub>VCC</sub>

## Application Diagram

In the following figure, the hardware configuration is described.

**Figure 9-17.** AT73C260: PHY - 3 wires DAT, SE0, OE\_N to IC\_USB1.0 - application diagram



Note: All external components are defined in component list [Table 8-1 on page 10](#)

## 9.4.4 Bridge

Pins  $V_{BUS}$  and  $P_{VRF}$  are connected to GND and LDO outputs are isolated and in standby.

Pin OE\_N is connected to  $H_{VCC}$ .

The following applications enable communications between.

- **S7\_ICC**: an USB2.0 section 7 compliant downstream port and an IC\_USB1.0 compliant peripheral
- **ICC\_S7**: an IC\_USB1.0 compliant downstream port and an USB2.0 section 7 compliant peripheral

### 9.4.4.1 Mode: USB2.0 section 7 downstream port to IC\_USB1.0 peripheral: S7\_ICC

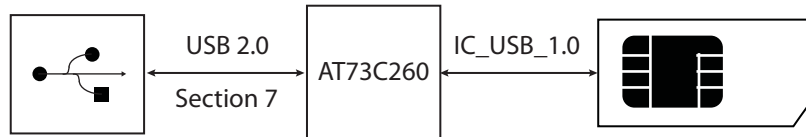
#### Description

This application establishes a communication path between an USB2.0 section 7 downstream port and an IC\_USB peripheral.

An external 3.3V voltage source is applied on  $H_{VCC}$ . AT73C260's D+ and D- input pins are compliant with USB2.0 core specification.

This application is particularly well suited for mobile devices where the host may not have an IC\_USB1.0 downstream port.

**Figure 9-18.** S7\_ICC Block Diagram



#### Hardware Configuration

In the following tables, the pin and the hardware configuration are described.

**Table 9-13.** AT73C260 Hardware Configuration

Mode	M<2> Pin 14	M<1> Pin 15	M<0> Pin 16	Application
S7_ICC	$H_{VCC}$	$H_{VCC}$	0	USB2.0 section 7 downstream port to IC_USB1.0 peripheral

**Table 9-14.** AT73C260 Pin description and configuration

Pin Number	Pin Name	I/O Type	Polarity	Function
1	HVCC	A-Power	--	Supplied by host at 3.3V
2	D+	D-I/O	--	Bidirectional D+
3	D-	D-I/O	--	Bidirectional D-
4	VBUS	A-Input	--	Not Used and Connected to Ground
6	HDMO	D-Output	HiZ	Not Connected
7	HDPO	D-Output	HiZ	Not Connected
8	OE_N	D-Input	High	Connected to $H_{VCC}$

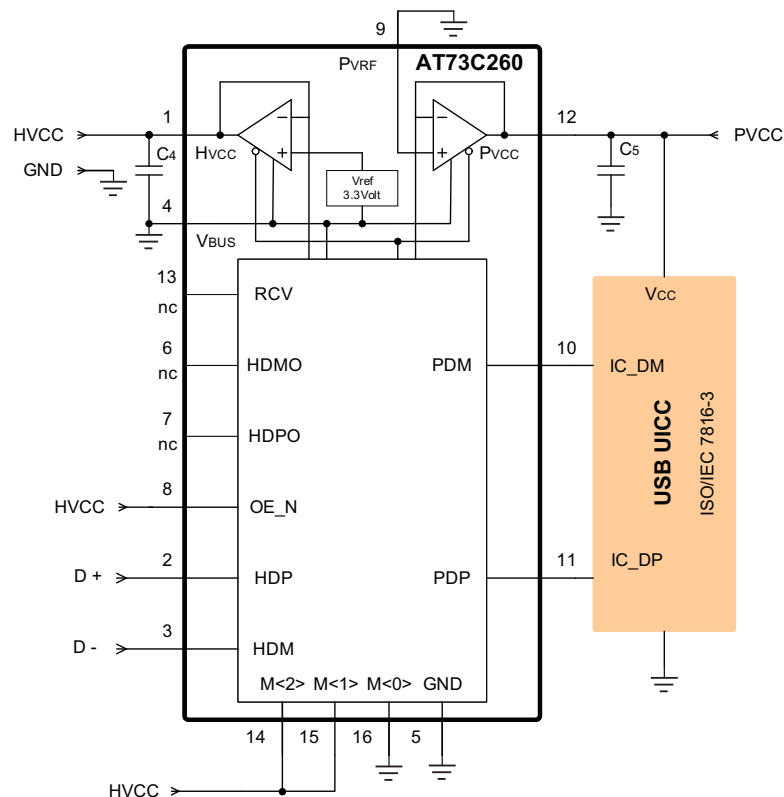
**Table 9-14.** AT73C260 Pin description and configuration

Pin Number	Pin Name	I/O Type	Polarity	Function
9	PVRF	A-Input	--	Connected to Ground
10	PDM	D-I/O	--	Downstream Port for USB Device
11	PDP	D-I/O	--	Downstream Port for USB Device
12	PVCC	A-Power	--	Same as peripheral's power (1.8V or 3V typical)
13	RCV	D-Output	HiZ	Not Connected
14	M<2>	D-Input	High	Connected to H <sub>VCC</sub>
15	M<1>	D-Inputs	High	Connected to H <sub>VCC</sub>
16	M<0>	D-Inputs	Low	Connected to Ground

### Application Diagram

In the following figure, the hardware configuration is described.

**Figure 9-19.** AT73C260: Bridge - USB2.0 section 7 downstream port to IC\_USB1.0 -application diagram



Note: All external components are defined in component list [Table 8-1 on page 10](#)

9.4.4.2 Mode: IC\_USB1.0 downstream port to USB2.0 section 7 peripheral: ICC\_S7

**Description**

This application establishes a communication path between an IC\_USB1.0 downstream port and an USB2.0 section 7 peripheral.

**Figure 9-20. ICC\_S7 Block Diagram**



**Hardware Configuration**

In the following tables, the pin and the hardware configuration are described.

**Table 9-15. AT73C260 Hardware Configuration**

Mode	M<2> Pin 14	M<1> Pin 15	M<0> Pin 16	Application
ICC_S7	H <sub>VCC</sub>	H <sub>VCC</sub>	H <sub>VCC</sub>	IC_USB1.0 downstream port to USB2.0 section 7 peripheral

**Table 9-16. AT73C260 Pin description and configuration**

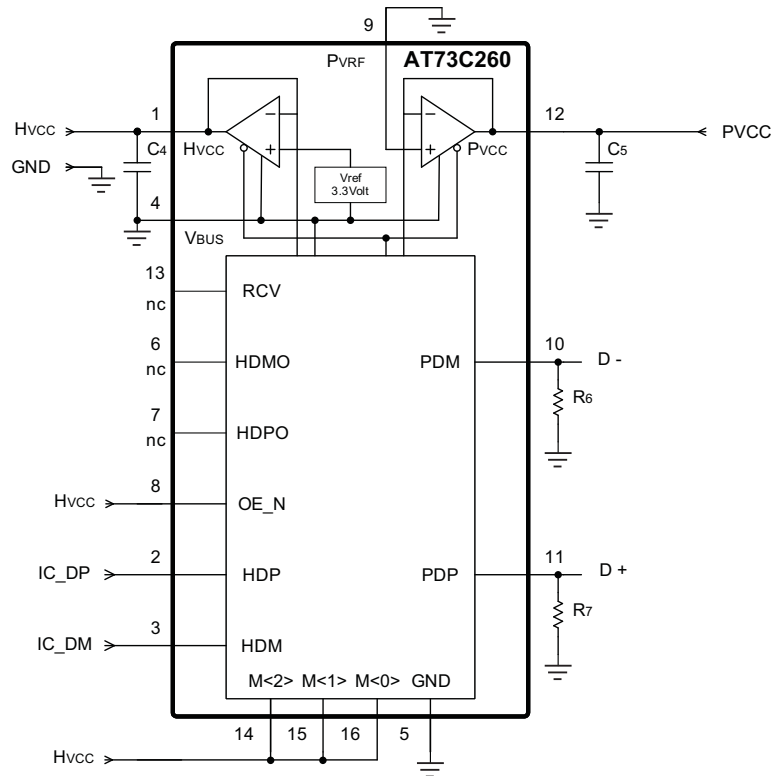
Pin Number	Pin Name	I/O Type	Polarity	Function
1	HVCC	A-Power	--	Same as host I/O Ring Power (1.8V to 3V typical)
2	IC_DP	D-I/O	--	Bidirectional IC_DP
3	IC_DM	D-I/O	--	Bidirectional IC_DM
4	VBUS	A-Input	--	Not Used and Connected to Ground
6	HDMO	D-Output	HiZ	Not Connected
7	HDPO	D-Output	HiZ	Not Connected
8	OE_N	D-Input	High	Connected to H <sub>VCC</sub>
9	PVRF	A-Input	--	Connected to Ground
10	D-	D-I/O	--	Downstream Port for USB Device
11	D+	D-I/O	--	Downstream Port for USB Device
12	PVCC	A-Power	--	Supplied at 3.3V
13	RCV	D-Output	HiZ	Not Connected
14	M<2>	D-Input	High	Connected to H <sub>VCC</sub>
15	M<1>	D-Inputs	High	Connected to H <sub>VCC</sub>
16	M<0>	D-Inputs	High	Connected to H <sub>VCC</sub>



## Application Diagram

In the following figure, the hardware configuration is described.

**Figure 9-21.** AT73C260: Bridge - IC\_USB1.0 downstream port to USB2.0 section 7 - application diagram



Note:  $R_6$  and  $R_7$  are defined in component list [Table 8-1 on page 10](#)

### 9.4.5 Mode: Voltage Class Converter: VCC

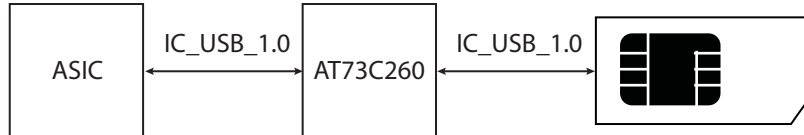
#### Description

Pins  $V_{BUS}$  and  $P_{VRF}$  are connected to GND and LDO outputs are isolated and in standby.

Pin  $OE\_N$  is connected to  $H_{VCC}$ .

The following applications enable communications between an IC\_USB1.0 compliant downstream port with a first voltage class  $H_{VCC}$  and an IC\_USB1.0 compliant peripheral with a second voltage class  $P_{VCC}$ .

**Figure 9-22.** Voltage Class Converter Block Diagram



#### Hardware Configuration

In the following tables, the pin and the hardware configuration are described.

**Table 9-17.** AT73C260 Hardware Configuration

Mode	M<2> Pin 14	M<1> Pin 15	M<0> Pin 16	Application
VCC	$H_{VCC}$	$H_{VCC}$	$H_{VCC}$	IC_USB1.0 to IC_USB1.0 Voltage Class Converter

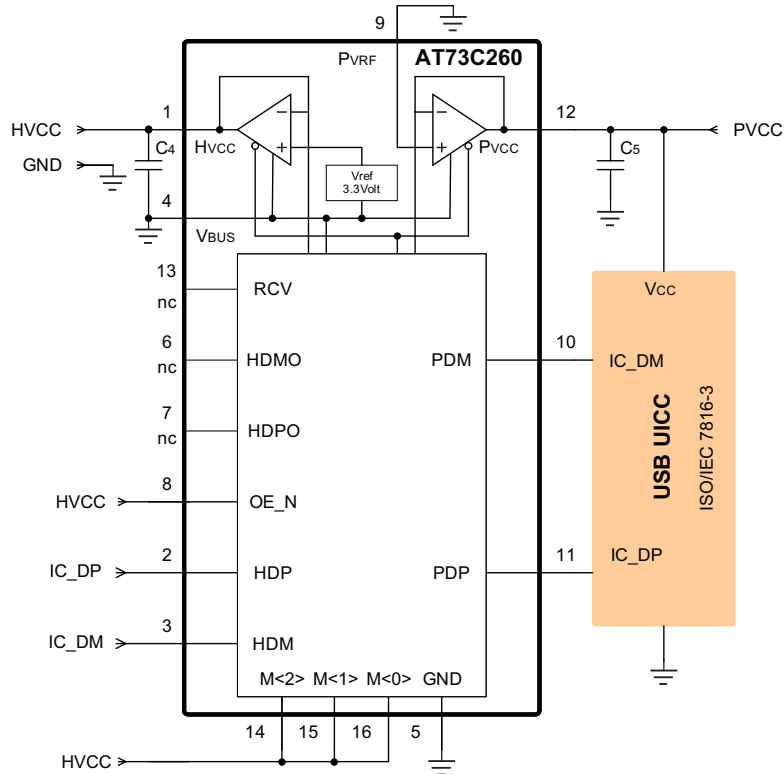
**Table 9-18.** AT73C260 Pin description and configuration

Pin Number	Pin Name	I/O Type	Polarity	Function
1	HVCC	A-Power	--	Same as host I/O Ring Power (1.8V to 3V typical)
2	IC_DP	D-I/O	--	Bidirectional IC_DP
3	IC_DM	D-I/O	--	Bidirectional IC_DM
4	VBUS	A-Input	--	Connected to Ground
6	HDMO	D-Output	HiZ	Not Connected
7	HDPO	D-Output	HiZ	Not Connected
8	OE_N	D-Input	High	Connected to $H_{VCC}$
9	PVRF	A-Input	--	Connected to Ground
10	PDM	D-I/O	--	Downstream Port for USB Device
11	PDP	D-I/O	--	Downstream Port for USB Device
12	PVCC	A-Power	--	Same as peripheral's power (1.8V or 3V typical)
13	RCV	D-Output	HiZ	Not Connected
14	M<2>	D-Input	High	Connected to $H_{VCC}$
15	M<1>	D-Inputs	High	Connected to $H_{VCC}$
16	M<0>	D-Inputs	High	Connected to $H_{VCC}$

**Application Diagram**

In the following figure, the hardware configuration is described.

**Figure 9-23.** AT73C260: Voltage Class Converter - IC\_USB1.0 to IC\_USB1.0 - application diagram



Note: All external components are defined in component list [Table 8-1 on page 10](#)

### 9.4.6 Bridge With LDOs

LDOs are enabled.

AT73C260's pin  $V_{BUS}$  is connected to the USB signal  $V_{BUS}$  through a low pass filter.

#### 9.4.6.1 Mode: PC's USB2.0 section 7 to IC\_USB1.0 with VCC driven by the DBB: S7\_ICC\_DBB

##### Description

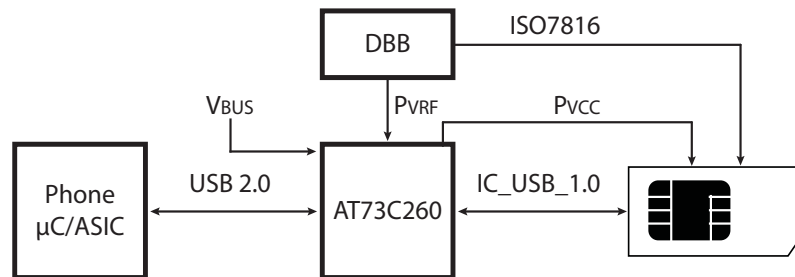
The PC's Digital Base Band may not provide enough power to a USB UICC with mass storage.

The  $V_{BUS}$  power supply voltage will make available that extra power, up to 70mA, through the AT73C260's LDO if needed by the USB UICC.

The PC's Digital Base Band supplies on pin 9 the power sequence required by ETSI. The AT73C260 buffers the signal on  $P_{VRF}$  to  $P_{VCC}$ .  $P_{VCC}$  sources power from  $V_{BUS}$  to  $V_{CC}$ .

On the Host side  $H_{VCC}$  generates 3.3V from  $V_{BUS}$ .

**Figure 9-24.** S7\_ICC\_DBB Block Diagram



##### Hardware Configuration

In the following tables, the pin and the hardware configuration are described.

**Table 9-19.** AT73C260 Hardware Configuration

Mode	M<2> Pin 14	M<1> Pin 15	M<0> Pin 16	Application
S7_ICC_DBB	$H_{VCC}$	$H_{VCC}$	0	PC's USB2.0 section 7 to IC_USB1.0 with $V_{CC}$ driven by DBB

**Table 9-20.** AT73C260 Pin description and configuration

Pin Number	Pin Name	I/O Type	Polarity	Function
1	HVCC	A-Output	--	Delivered by AT73C260 from VBUS at 3.3V
2	D+	D-I/O	--	Bidirectional D +
3	D-	D-I/O	--	Bidirectional D -
4	VBUS	A-Input	--	Supplied by USB Power Line
6	HDMO	D-Output	HiZ	Not Connected
7	HDPO	D-Output	HiZ	Not Connected
8	OE_N	D-Input	High	Connected to $H_{VCC}$
9	PVRF	A-Input	--	Control by Digital Base Band

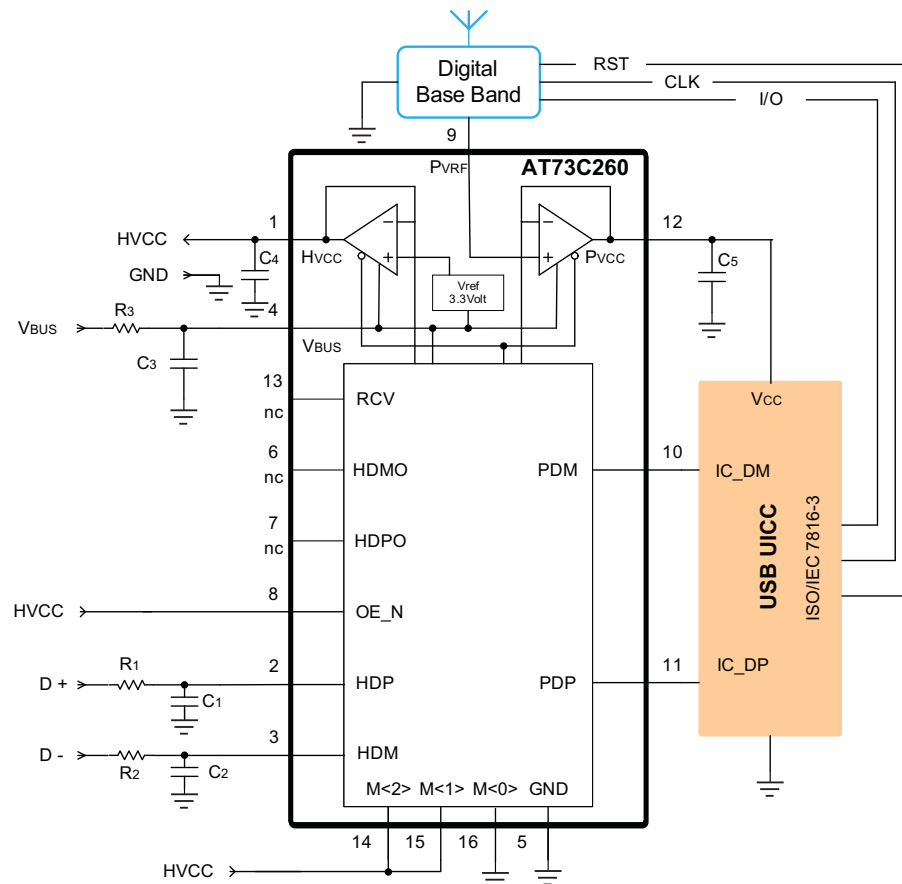
**Table 9-20.** AT73C260 Pin description and configuration

Pin Number	Pin Name	I/O Type	Polarity	Function
10	PDM	D-I/O	--	Downstream Port for USB Device
11	PDP	D-I/O	--	Downstream Port for USB Device
12	PVCC	A-Output	--	Delivered by AT73C260 from VBUS and control by DBB
13	RCV	D-Output	HiZ	Not Connected
14	M<2>	D-Input	High	Connected to H <sub>VCC</sub>
15	M<1>	D-Inputs	High	Connected to H <sub>VCC</sub>
16	M<0>	D-Inputs	Low	Connected to Ground

### Application Diagram

In the following figure, the hardware configuration is described.

**Figure 9-25.** AT73C260: Bridge with LDO - USB2.0 section 7 to IC\_USB1.0 with V<sub>CC</sub> driven by DBB - application diagram



- Notes:
1. P<sub>VCC</sub> LDO regulator is compliant with SIM FTA 27.17.2.1 Tests Series.
  2. All external components are defined in component list [Table 8-1 on page 10](#)

9.4.6.2 Mode: USB2.0 section 7 to IC\_USB1.0 with PVCC fixed by PVRF: S7\_ICC\_TK

**Description**

This is a token application where an USB UICC is connected to an USB2.0 section 7 downstream port.

The AT73C260's LDOs supply  $H_{VCC}$  set at 3.3V and  $P_{VCC}$  set at the power supply voltage required by the USB UICC.

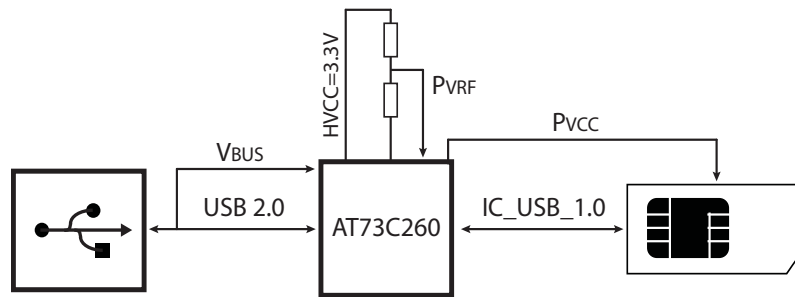
This application establishes a communication path between a USB2.0 section 7 downstream port and the USB UICC's. The power to the USB UICC is provided by  $V_{BUS}$  using an LDO able to source up to 70mA.

This is the typical electrical schematic for a USB UICC used in a USB Token to be connected to a USB2.0 series A receptacle.

The voltage divider  $R_4/R_5$  generates for example 3.0V buffered by the LDO to the downstream side of the transceiver and to the USB UICC  $P_{VCC}$ .

This set up allows passing USB CV tests to the USB UICC under tests.

**Figure 9-26.** S7\_ICC\_TK Block Diagram (Token Application)



**Hardware Configuration**

In the following tables, the pin and the hardware configuration are described.

**Table 9-21.** AT73C260 Hardware Configuration

Mode	M<2> Pin 14	M<1> Pin 15	M<0> Pin 16	Application
S7_ICC_TK	$H_{VCC}$	$H_{VCC}$	0	USB2.0 section 7 to IC_USB1.0 with $P_{VCC}$ fixed by $P_{VRF}$

**Table 9-22.** AT73C260 Pin description and configuration

Pin Number	Pin Name	I/O Type	Polarity	Function
1	HVCC	A-Output	--	Delivered by AT73C260 from VBUS at 3.3V
2	D+	D-I/O	--	Bidirectional D +
3	D-	D-I/O	--	Bidirectional D -
4	VBUS	A-Input	--	Supplied by USB Power Line
6	HDMO	D-Output	HiZ	Not Connected
7	HDPO	D-Output	HiZ	Not Connected

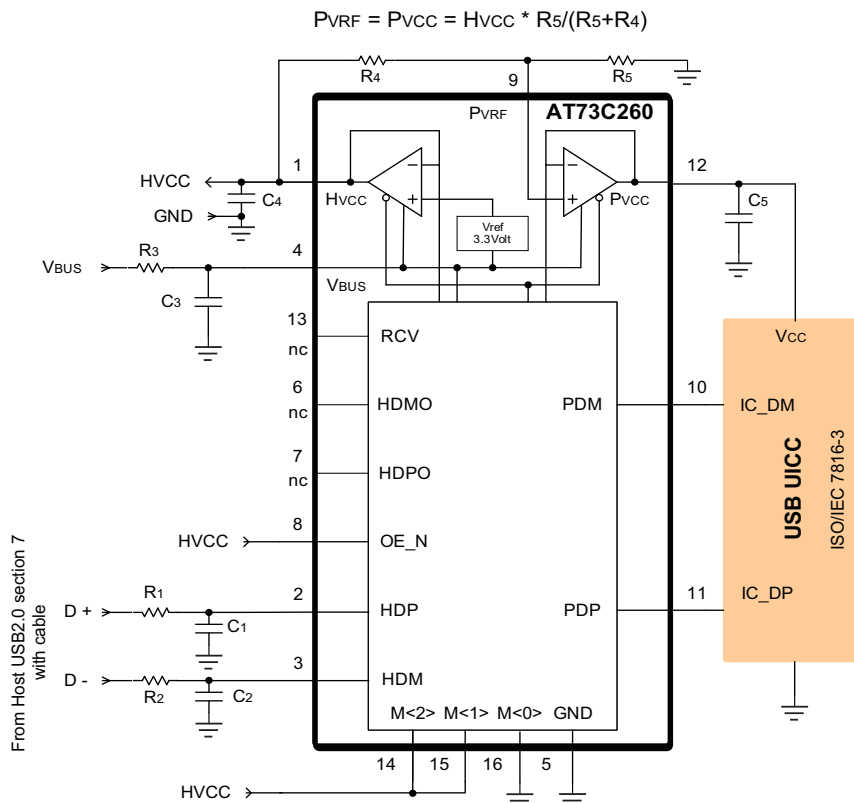
**Table 9-22.** AT73C260 Pin description and configuration

Pin Number	Pin Name	I/O Type	Polarity	Function
8	OE_N	D-Input	High	Connected to H <sub>VCC</sub>
9	PVRF	A-Input	--	Fixed by external resistor bridge divider
10	PDM	D-I/O	--	Downstream Port for USB Device
11	PDP	D-I/O	--	Downstream Port for USB Device
12	PVCC	A-Output	--	Delivered by AT73C260 from VBUS according external resistor ratio
13	RCV	D-Output	HiZ	Not Connected
14	M<2>	D-Input	High	Connected to H <sub>VCC</sub>
15	M<1>	D-Inputs	High	Connected to H <sub>VCC</sub>
16	M<0>	D-Inputs	Low	Connected to Ground

### Application Diagram

In the following figure, the hardware configuration is described.

**Figure 9-27.** AT73C260: Bridge with LDO - USB2.0 section 7 to IC\_USB1.0 with V<sub>CC</sub> fixed by P<sub>VRF</sub> - application diagram



- Notes:
1. P<sub>VCC</sub> LDO regulator is compliant with SIM FTA 27.17.2.1 Tests Series.
  2. All external components are defined in component list [Table 8-1 on page 10](#)

3. External resistors shall be in the following range:  $100\text{K}\Omega < R4 + R5 < 330\text{K}\Omega$  in order to minimize current consumption and to reach a good accuracy on  $P_{VCC}$ . The bias current of  $P_{VRF}$  follower is less than  $\pm 100\text{nA}$ .



## 9.4.7 Example of an Extra Function

For an FPGA implementation of a USB device, there is a need for an upstream IC\_USB 1.0 PHY.

For this requirement the AT73C260 product can be configured as described below.

Pins  $V_{BUS}$  and  $P_{VRF}$  are connected to GND and LDO outputs are isolated and in standby.

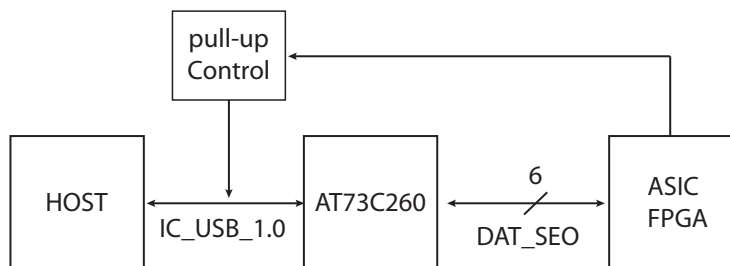
### 9.4.7.1 Mode: Digital six wires unidirectional DAT\_SE0 to IC\_USB1.0 upstream: Extra Function

#### Description

This application allows a peripheral based on an ASIC or an FPGA with the digital unidirectional six wires interface to be connected to an IC\_USB 1.0 downstream port.

Here below, an example is shown. Other digital interfaces are compatible with this upstream IC\_USB 1.0 port.

**Figure 9-28.** PHY\_6\_SE0 Block Diagram



#### Hardware Configuration

In the following tables, the pin and the hardware configuration are described.

**Table 9-23.** AT73C260 Hardware Configuration

Mode	M<2> Pin 14	M<1> Pin 15	M<0> Pin 16	Application
Extra Mode (as an example)	0	0	0	Digital six wires unidirectional DAT_SE0 to IC_USB1.0 upstream

**Table 9-24.** AT73C260 Pin description and configuration

Pin Number	Pin Name	I/O Type	Polarity	Function
1	HVCC	A-Power	--	Same as peripheral I/O ring (1.55V to 3.6V typical)
2	TX_DAT	D-Input	--	Unidirectional Transmit Data
3	TX_SEO	D-Input	--	Unidirectional Transmit Single Ended 0
4	VBUS	A-Input	--	Not Used and Connected to Ground
6	RX_DM	D-Output	--	Unidirectional Receiving DM
7	RX_DP	D-Output	--	Unidirectional Receiving DP
8	TX_ENABLE_N	D-Input	Low	Tx Enable N

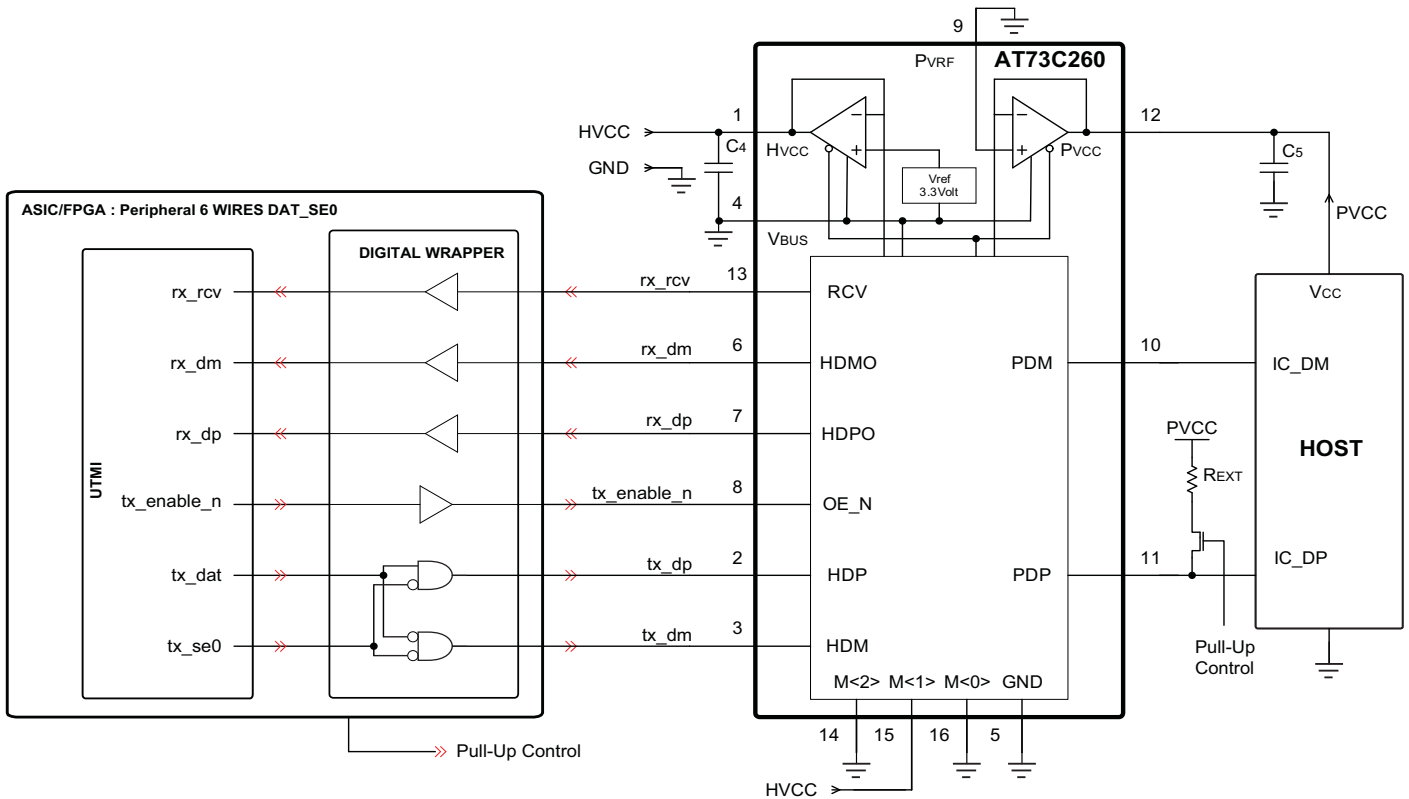
**Table 9-24.** AT73C260 Pin description and configuration

Pin Number	Pin Name	I/O Type	Polarity	Function
9	PVRF	A-Input	--	Connected to Ground
10	PDM	D-I/O	--	Downstream Port for USB Device
11	PDP	D-I/O	--	Downstream Port for USB Device
12	PVCC	A-Power	--	Same power as host VCC (1.8 or 3V typical)
13	RX_RCV	D-Output	--	Unidirectional Receiving RCV
14, 15, 16	M<2:0>	D-Inputs	Low	Connected to Ground

**Application Diagram**

In the following figure, the hardware configuration is described.

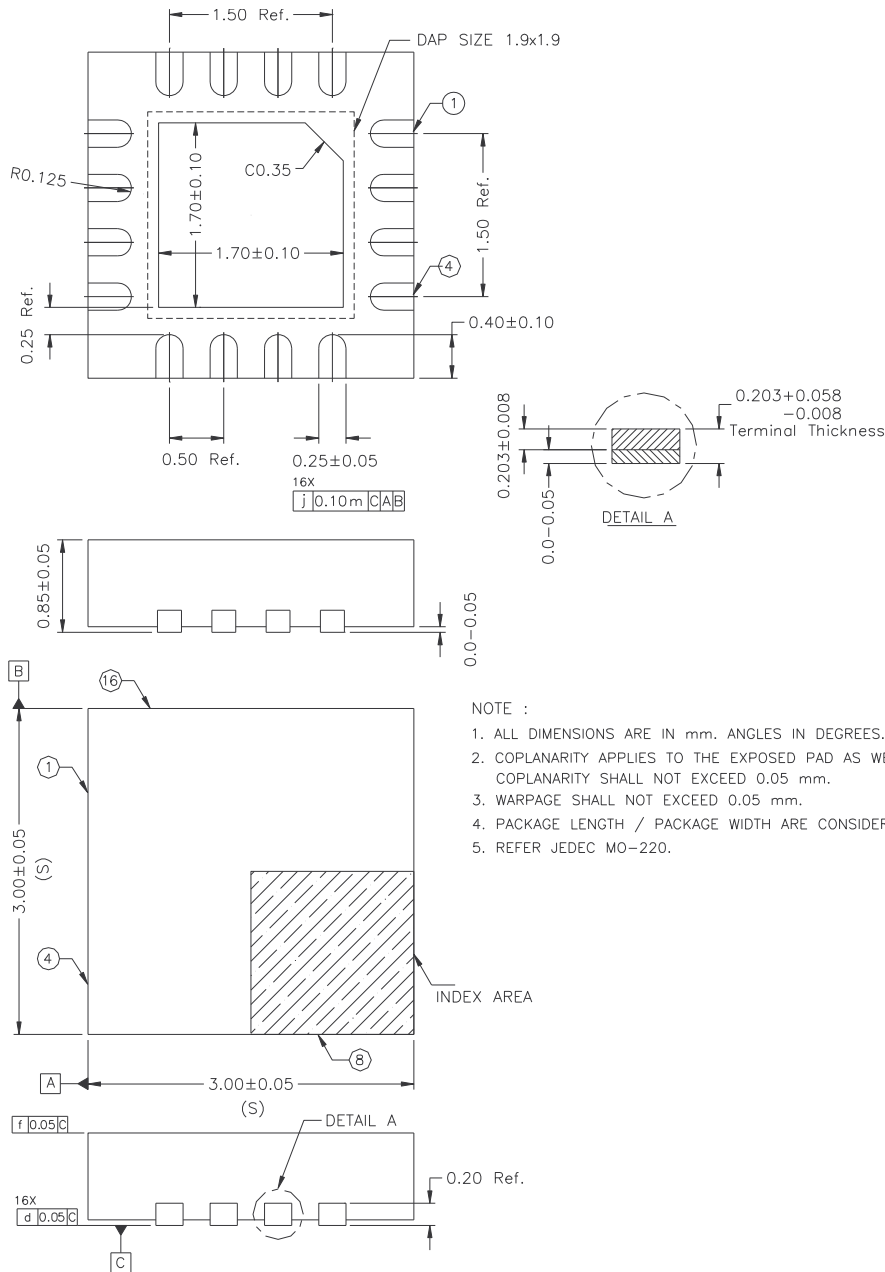
**Figure 9-29.** AT73C260: Extra Mode - PHY of a 6-wire FPGA peripheral implementation - application diagram



- Notes:
1. All external components are defined in component list [Table 8-1 on page 10](#)
  2. In Upstream port configuration, the software must drive the  $R_{EXT}$  pull-up resistor.

## 10. Package Information

Figure 10-1. Mechanical Package Drawing for 16-lead Quad Flat No Lead Package



Note: All the dimensions are in mm

## 11. Ordering Information

**Table 11-1.** Ordering Information

Ordering Code	Package	Package Type	Temperature Operating Range
AT73C260	QFN16 3 x 3 mm	Green	-40°C to +85°C

## 12. Revision History

Doc. Rev	Date	Comments	Change Request Ref.
11030A	13-Sep-10	First revision	



<b>1</b>	<b>Block Diagram .....</b>	<b>2</b>
<b>2</b>	<b>Package and Pinout .....</b>	<b>3</b>
<b>3</b>	<b>Pin Description .....</b>	<b>4</b>
<b>4</b>	<b>Absolute Maximum Ratings .....</b>	<b>5</b>
<b>5</b>	<b>Recommended Operating Conditions .....</b>	<b>5</b>
<b>6</b>	<b>Power Dissipation Ratings .....</b>	<b>5</b>
<b>7</b>	<b>Electrical Characteristics .....</b>	<b>6</b>
	7.1I/Os DC Characteristics Referred to HVCC .....	6
	7.2I/Os DC Characteristics Referred to PVCC .....	6
	7.3Timing Characteristics Table .....	7
	7.4VBUS Supply Characteristics .....	7
	7.5HVCC and PVCC Supplies Characteristics .....	8
<b>8</b>	<b>Components List. ....</b>	<b>10</b>
<b>9</b>	<b>Functional Description .....</b>	<b>11</b>
	9.1AT73C260's Upstream and Downstream Ports .....	11
	9.2AT73C260 Pull Up and Pull Down Resistors .....	12
	9.3Theory Of Operation .....	13
	9.4General Description .....	18
<b>10</b>	<b>Package Information .....</b>	<b>43</b>
<b>11</b>	<b>Ordering Information .....</b>	<b>44</b>
<b>12</b>	<b>Revision History .....</b>	<b>45</b>









## Headquarters

---

**Atmel Corporation**  
2325 Orchard Parkway  
San Jose, CA 95131  
USA  
Tel: 1(408) 441-0311  
Fax: 1(408) 487-2600

## International

---

**Atmel Asia**  
Unit 1-5 & 16, 19/F  
BEA Tower, Millennium City 5  
418 Kwun Tong Road  
Kwun Tong, Kowloon  
Hong Kong  
Tel: (852) 2245-6100  
Fax: (852) 2722-1369

**Atmel Europe**  
Le Krebs  
8, Rue Jean-Pierre Timbaud  
BP 309  
78054 Saint-Quentin-en-  
Yvelines Cedex  
France  
Tel: (33) 1-30-60-70-00  
Fax: (33) 1-30-60-71-11

**Atmel Japan**  
9F, Tonetsu Shinkawa Bldg.  
1-24-8 Shinkawa  
Chuo-ku, Tokyo 104-0033  
Japan  
Tel: (81) 3-3523-3551  
Fax: (81) 3-3523-7581

## Product Contact

---

**Web Site**  
[www.atmel.com](http://www.atmel.com)

**Technical Support**  
[pmaac@atmel.com](mailto:pmaac@atmel.com)

**Sales Contact**  
[www.atmel.com/contacts](http://www.atmel.com/contacts)

**Literature Requests**  
[www.atmel.com/literature](http://www.atmel.com/literature)

---

**Disclaimer:** The information in this document is provided in connection with Atmel products. No license, express or implied, by estoppel or otherwise, to any intellectual property right is granted by this document or in connection with the sale of Atmel products. **EXCEPT AS SET FORTH IN ATMEL'S TERMS AND CONDITIONS OF SALE LOCATED ON ATMEL'S WEB SITE, ATMEL ASSUMES NO LIABILITY WHATSOEVER AND DISCLAIMS ANY EXPRESS, IMPLIED OR STATUTORY WARRANTY RELATING TO ITS PRODUCTS INCLUDING, BUT NOT LIMITED TO, THE IMPLIED WARRANTY OF MERCHANTABILITY, FITNESS FOR A PARTICULAR PURPOSE, OR NON-INFRINGEMENT. IN NO EVENT SHALL ATMEL BE LIABLE FOR ANY DIRECT, INDIRECT, CONSEQUENTIAL, PUNITIVE, SPECIAL OR INCIDENTAL DAMAGES (INCLUDING, WITHOUT LIMITATION, DAMAGES FOR LOSS OF PROFITS, BUSINESS INTERRUPTION, OR LOSS OF INFORMATION) ARISING OUT OF THE USE OR INABILITY TO USE THIS DOCUMENT, EVEN IF ATMEL HAS BEEN ADVISED OF THE POSSIBILITY OF SUCH DAMAGES.** Atmel makes no representations or warranties with respect to the accuracy or completeness of the contents of this document and reserves the right to make changes to specifications and product descriptions at any time without notice. Atmel does not make any commitment to update the information contained herein. Unless specifically provided otherwise, Atmel products are not suitable for, and shall not be used in, automotive applications. Atmel's products are not intended, authorized, or warranted for use as components in applications intended to support or sustain life.

© 2010 Atmel Corporation. All rights reserved. Atmel®, logo and combinations thereof, and others are registered trademarks or trademarks of Atmel Corporation or its subsidiaries. Other terms and product names may be trademarks of others.

# Mouser Electronics

Authorized Distributor

Click to View Pricing, Inventory, Delivery & Lifecycle Information:

[Atmel:](#)

[AT73C260B](#)